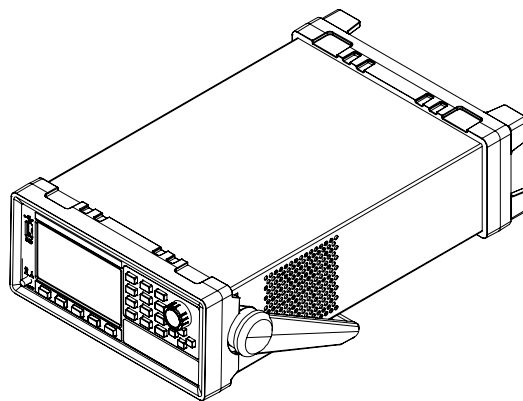


Power meter

IT9120 Series User Manual



Model: IT9121/IT9121H/IT9121C/IT9121E

Version: V3.5

Notices

© ItechElectronic, Co., Ltd. 2025
No part of this manual may be reproduced in any form or by any means (including electronic storage and retrieval or translation into a foreign language) without prior permission and written consent from Itech Electronic, Co., Ltd. as governed by international copyright laws.

Manual Part Number

IT9120

Revision

3rd Edition: May 16, 2025
Itech Electronic, Co., Ltd.

Trademarks

Pentium is U.S. registered trademarks of Intel Corporation.

Microsoft, Visual Studio, Windows and MS Windows are registered trademarks of Microsoft Corporation in the United States and/or other countries and regions.

Warranty

The materials contained in this document are provided “as is”, and is subject to change, without prior notice, in future editions. Further, to the maximum extent permitted by applicable laws, ITECH disclaims all warranties, either express or implied, with regard to this manual and any information contained herein, including but not limited to the implied warranties of merchantability and fitness for a particular purpose. ITECH shall not be held liable for errors or for incidental or indirect damages in connection with the furnishing, use or application of this document or of any information contained herein. Should ITECH and the user enter into a separate written agreement with warranty terms covering the materials in this document that conflict with these terms, the warranty terms in the separate agreement shall prevail.

Technology Licenses

The hardware and/or software described herein are furnished under a license and may be used or copied only in accordance with the terms of such license.

Restricted Rights Legend

U.S. Government Restricted Rights. Software and technical data rights granted to the federal government include only those rights customarily provided to end user customers. ITECH provides this customary commercial license in software and technical data pursuant to FAR 12.211 (Technical Data) and 12.212 (Computer Software) and DFARS 252.227-7015 (Technical Data – Commercial Items) and DFARS 227.7202-3 (Rights in Commercial Computer Software or Computer Software Documentation).

Safety Notices

CAUTION

A CAUTION sign denotes a hazard. It calls attention to an operating procedure or practice that, if not correctly performed or adhered to, could result in damage to the product or loss of important data. Do not proceed beyond a CAUTION sign until the indicated conditions are fully understood and met.

WARNING

A WARNING sign denotes a hazard. It calls attention to an operating procedure or practice that, if not correctly performed or adhered to, could result in personal injury or death. Do not proceed beyond a WARNING sign until the indicated conditions are fully understood and met.



NOTE

A NOTE sign denotes important hint. It calls attention to tips or supplementary information that is essential for users to refer to.

Quality Certification and Assurance

We certify that T9120 series power meter meets all the published specifications.

Warranty

ITECH warrants that the product will be free from defects in material and workmanship under normal use for a period of one (1) year from the date of delivery (except those described in the Limitation of Warranty below).



Note

Visit <https://www.itechate.com/en/support/register.html> to complete product registration by filling out the necessary information to extend the warranty to two (2) years.

For warranty service or repair, the product must be returned to a service center designated by ITECH.

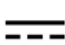











- The product returned to ITECH for warranty service must be shipped PREPAID. And ITECH will pay for return of the product to customer.
- If the product is returned to ITECH for warranty service from overseas, all the freights, duties and other taxes shall be on the account of customer.



Limitation of Warranty

This Warranty will be rendered invalid if the product is:

- Damaged resulting from customer-wired circuits or customer-supplied parts or accessories;
- Modified or repaired by customer without authorization;
- Damaged resulting from customer-wired circuits or use in an environment not designated by us;
- The product model or serial number is altered, deleted, removed or made illegible by customer;
- Damaged as a result of accidents, including but not limited to lightning, moisture, fire, improper use or negligence.

Safety Symbols

	Direct current		ON (power)
	Alternating current		OFF (power)
	Both direct and alternating current		Power-on state
	Protective earth (ground) terminal		Power-off state
	Earth (ground) terminal		Reference terminal
	Caution		Positive terminal

	Warning (refer to this manual for specific Warning or Caution information)	—	Negative terminal
	A chassis terminal	-	-

Safety Precautions

The following safety precautions must be observed during all phases of operation of this instrument. Failure to comply with these precautions or specific warnings elsewhere in this manual will constitute a default under safety standards of design, manufacture and intended use of the instrument. ITECH assumes no liability for the customer's failure to comply with these precautions.

WARNING

- Do not use the instrument if it is damaged. Before operation, check the casing to see whether it cracks or is not applied with sufficient plastics. Do not operate the instrument in the presence of inflammable gasses, vapors or dusts.
- Make sure to use the power cord supplied by ITECH.
- Check all marks on the instrument before connecting the instrument to power supply.
- Turn off the instrument and the operation system before connecting to the I/O terminal.
- Do not use the instrument if the detachable cover is removed or loosen.
- Do not connect the instrument to any cable or terminal block before self-testing.
- To prevent the possibility of accidental injuries, be sure to use the power adapter supplied by the manufacturer only.
- We do not accept responsibility for any direct or indirect financial damage or loss of profit that might occur when using the instrument.
- This instrument is used for industrial purposes. Do not apply this product to IT power supply system.
- Never use the instrument with a life-support system or any other equipment subject to safety requirements.

CAUTION

- Failure to use the instrument as directed by the manufacturer may render its protective features void.
- Always clean the casing with a dry cloth. Do not clean the internals.
- Make sure the vent hole is always unblocked.

Environmental Conditions




The instrument is designed for indoor use and an area with low condensation. The table below shows the general environmental requirements for the instrument.

Environmental Conditions	Requirements
Operating temperature	5°C-40°C
Operating humidity	humidity 20%-80% (non-condensation)
Storage temperature	-20°C-50 °C
Altitude	Operating up to 2,000 meters
Installation category	II
Pollution degree	Pollution degree 2


NOTE

To make accurate measurements, allow the instrument to warm up for 30 min.

Regulatory Markings

	<p>The CE mark indicates that the product complies with all the relevant European legal directives. The specific year (if any) affixed refers to the year when the design was approved.</p>
	<p>The instrument complies with the WEEE Directive (2002/96/EC) marking requirement. This affix product label indicates that you must not discard the electrical/electronic product in domestic household waste.</p>
	<p>This symbol indicates the time period during which no hazardous or toxic substances are expected to leak or deteriorate during normal use. The expected useful life of the product is 10 years. The product can be used safely during the 10-year Environment Friendly Use Period (EFUP). Upon expiration of the EFUP, the product must be immediately recycled.</p>

Waste Electrical and Electronic Equipment (WEEE) Directive



2002/96/EC Waste Electrical and Electronic Equipment (WEEE) Directive

This product complies with the WEEE Directive (2002/96/EC) marking requirement. This affix product label indicates that you must not discard the electrical/electronic product in domestic household waste.

Product Category

With reference to the equipment classifications described in the Annex 1 of the WEEE Directive, this instrument is classified as a "Monitoring and Control Instrument".

To return this unwanted instrument, contact your nearest ITECH office.

Compliance Information

Complies with the essential requirements of the following applicable European Directives, and carries the CE marking accordingly:

- Electromagnetic Compatibility (EMC) Directive 2014/30/EU
- Low-Voltage Directive (Safety) 2014/35/EU

Conforms with the following product standards:

EMC Standard

IEC 61326-1:2012/ EN 61326-1:2013 ¹²³

Reference Standards

CISPR 11:2009+A1:2010/ EN 55011:2009+A1:2010 (Group 1, Class A)

IEC 61000-4-2:2008/ EN 61000-4-2:2009

IEC 61000-4-3:2006+A1:2007+A2:2010/ EN 61000-4-3:2006+A1:2008+A2:2010

IEC 61000-4-4:2004+A1:2010/ EN 61000-4-4:2004+A1:2010

IEC 61000-4-5:2005/ EN 61000-4-5:2006

IEC 61000-4-6:2008/ EN 61000-4-6:2009

IEC 61000-4-11:2004/ EN 61000-4-11:2004

1. The product is intended for use in non-residential/non-domestic environments. Use of the product in residential/domestic environments may cause electromagnetic interference.
2. Connection of the instrument to a test object may produce radiations beyond the specified limit.
3. Use high-performance shielded interface cable to ensure conformity with the EMC standards listed above.

Safety Standard

IEC 61010-1:2010/ EN 61010-1:2010

Content

QUALITY CERTIFICATION AND ASSURANCE	I
WARRANTY	I
LIMITATION OF WARRANTY	I
SAFETY SYMBOLS	I
SAFETY PRECAUTIONS	II
ENVIRONMENTAL CONDITIONS.....	II
REGULATORY MARKINGS.....	III
WASTE ELECTRICAL AND ELECTRONIC EQUIPMENT (WEEE) DIRECTIVE	III
COMPLIANCE INFORMATION	IV
CHAPTER1 QUICK REFERENCE	1
1.1 BRIEF INTRODUCTION	1
1.2 INTRODUCTION OF FRONT PANELS	2
1.3 INTRODUCTION OF KEYBOARD	2
1.4 INTRODUCTION OF MENU FUNCTION	3
1.5 INTRODUCTION OF INTERFACE DISPLAY INFORMATION.....	5
1.6 INTRODUCTION OF INTERFACE SYMBOLS.....	5
1.7 INTRODUCTION OF REAR PANELS	6
CHAPTER2 INSPECTION AND INSTALLATION	7
2.1 VERIFYING THE SHIPMENT	7
2.2 INSTRUMENT SIZE INTRODUCTION	7
2.3 INSTALLING THE INSTRUMENT.....	9
2.3.1 <i>Adjusting the Handle</i>	9
2.3.2 <i>Removing the Handle</i>	10
2.3.3 <i>Rack Mounting</i>	11
2.3.4 <i>Connecting the Power Cord</i>	11
2.4 INSPECTING THE INSTRUMENT.....	12
2.4.1 <i>Power-on Self-Test</i>	12
2.4.2 <i>Zero Calibration</i>	14
2.4.3 <i>Replacing the Fuse</i>	14
2.5 WIRING THE CIRCUIT UNDER MEASUREMENT.....	15
2.5.1 <i>Precautions when Wiring the Circuit</i>	15
2.5.2 <i>Selection of measurement method</i>	16
2.5.3 <i>Wiring the Circuit under Measurement for Direct Input</i>	16
2.5.4 <i>Wiring the Circuit under Measurement When Using Current Sensors</i>	19
2.5.5 <i>Wiring the Measurement Circuit with VT/CT</i>	21
2.5.6 <i>Instructions of IT-E185 Fixture</i>	23
CHAPTER3 MEASUREMENT CONDITIONS.....	25
3.1 SETTING OF MEASUREMENT RANGE.....	25
3.2 SETTING OF MEASUREMENT INTERVAL.....	28
3.3 SETTING OF FILTER AND CREST FACTOR	29
3.4 SETTING OF AVERAGING FUNCTION.....	31
CHAPTER4 BASIC MEASUREMENT FUNCTIONS	34
4.1 BASIC CONCEPTS	34
4.2 SETTING OF MEASUREMENT FUNCTION AND INTERFACE DISPLAY	35
CHAPTER5 WAVEFORM DISPLAY FUNCTION.....	37
5.1 BASIC CONCEPTS	37
5.2 ADJUSTMENT OF MEASUREMENT PARAMETERS	40
5.3 SETTING OF TRIGGER CONFIGURATION.....	40
CHAPTER6 INTEGRAL OPERATION FUNCTION.....	42
6.1 BASIC CONCEPTS	42
6.2 SETTING OF INTEGRAL MEASUREMENT CONFIGURATION	46
6.3 INTEGRATION	48

CHAPTER7	HARMONIC MEASUREMENT FUNCTION	51
7.1	BASIC CONCEPTS	51
7.2	SETTING OF HARMONIC MEASUREMENT CONFIGURATION	54
CHAPTER8	ROUTINE MAINTENANCE	57
8.1	SELF-INSPECTION	57
8.2	ERROR INFORMATION REFERENCES	57
8.3	DAILY MAINTENANCE	58
8.4	CONTACT OF ITECH ENGINEERS	59
8.5	RETURNING YOUR POWER FOR SERVICE	60
CHAPTER9	TECHNICAL SPECIFICATIONS.....	62
9.1	IT9121 SPECIFICATIONS	62
9.1.1	<i>General Specification</i>	62
9.1.2	<i>Voltage Accuracy</i>	62
9.1.3	<i>Current Accuracy</i>	63
9.1.4	<i>External current sensor 1 Accuracy</i>	68
9.1.5	<i>External current sensor 2 Accuracy</i>	69
9.1.6	<i>Active Power Accuracy</i>	71
9.1.7	<i>Apparent Power Accuracy</i>	73
9.1.8	<i>Reactive power Accuracy</i>	74
9.1.9	<i>Frequency Measurement</i>	75
9.1.10	<i>Harmonic Measurement</i>	76
9.1.11	<i>Integration</i>	76
9.1.12	<i>Oscilloscope Function</i>	77
9.1.13	<i>Interface</i>	77
9.2	IT9121H SPECIFICATION	78
9.2.1	<i>General Specification</i>	78
9.2.2	<i>Voltage Accuracy</i>	79
9.2.3	<i>Current Accuracy</i>	80
9.2.4	<i>External current sensor 1 Accuracy</i>	84
9.2.5	<i>External current sensor 2 Accuracy</i>	85
9.2.6	<i>Active Power Accuracy</i>	87
9.2.7	<i>Apparent Power Accuracy</i>	89
9.2.8	<i>Reactive power Accuracy</i>	90
9.2.9	<i>Frequency Measurement</i>	92
9.2.10	<i>Harmonic Measurement</i>	92
9.2.11	<i>Integration</i>	93
9.2.12	<i>Oscilloscope Function</i>	93
9.2.13	<i>Interface</i>	93
9.3	IT9121C SPECIFICATION.....	95
9.3.1	<i>General Specification</i>	95
9.3.2	<i>Voltage Accuracy</i>	95
9.3.3	<i>Current Accuracy</i>	96
9.3.4	<i>External current sensor 1 Accuracy</i>	99
9.3.5	<i>External current sensor 2 Accuracy</i>	100
9.3.6	<i>Active Power Accuracy</i>	102
9.3.7	<i>Apparent Power Accuracy</i>	104
9.3.8	<i>Reactive power Accuracy</i>	105
9.3.9	<i>Frequency Measurement</i>	106
9.3.10	<i>Harmonic Measurement</i>	107
9.3.11	<i>Integration</i>	107
9.3.12	<i>Oscilloscope Function</i>	107
9.3.13	<i>Interface</i>	108
9.4	IT9121E SPECIFICATION.....	109
9.4.1	<i>General Specification</i>	109
9.4.2	<i>Screen Display</i>	110
9.4.3	<i>Input Parameters</i>	110
9.4.4	<i>Voltage and Current Accuracy</i>	111

9.4.5 Power Accuracy	112
9.4.6 Voltage Current and Power measurements.....	114
9.4.7 Frequency Measurement.....	115
9.4.8 Fundamental Frequency.....	115
9.4.9 Accuracy.....	116
9.4.10 Oscilloscope Function	116
9.4.11 Interface Specification.....	117

Chapter1 Quick Reference

1.1 Brief Introduction

The IT9100 power meter can provide the maximum input of 1000 Vrms and 50 Arms and measurement bandwidth of 100 KHz, and can be easily used for measuring the voltage, current, power, frequency, harmonics and other parameters. The standard configuration includes USB, RS232 and LAN communication interfaces and also interfaces for USB-based peripheral devices. Users can save the measured parameters into the external storage medium. The basic voltage and current accuracy is 0.1%. Moreover, the power meter has rich integrating functions, such as the active power. It is widely applied in test of motors, household appliances, UPS, etc.

Features

- 4.3-inch color LCD (TFT)
- Input range: 1000 Vrms / 50 Arms
- Harmonic components
- The accuracy of voltage and current measurement is up to 0.1%
- The voltage, current, power, harmonics and other parameters can be measured at the same time
- The power meter has a function of harmonic measurement, and can be used for measuring up to 50th harmonics *1
- The power meter has rich and powerful integrating functions, and can be used for measuring electric energy which is bought or sold
- The interfaces for USB-based peripheral devices are provided, and the user can *save data into the external storage medium
- Standard built-in USB, RS232 and Ethernet communication interfaces

*1 IT9121E do not support harmonic measurement function.

Application advantages

- Analysis of UPS power quality:
As an important backup power supply in the communication industry, the steady-state characteristics, dynamic characteristics, power quality and other parameters of UPS should be analyzed. With internal nonlinear elements, the UPS power supply will generate a large number of harmonic components during operation, which may affect operation of the communication system. The IT9120 series power meter can measure such parameters as the AC/DC signal, power factor, harmonics, frequency and distortion factor, and systematically and comprehensively analyze the performance of the UPS power supply.
- Test of performance of household appliances:
With promotion of the concept of using energy in a rational and environmentally friendly manner, more and more household appliances adopt the variable frequency control technology to reduce the power consumption. The IT9120 series power meter can measure the inrush current, active power, crest factor, etc.

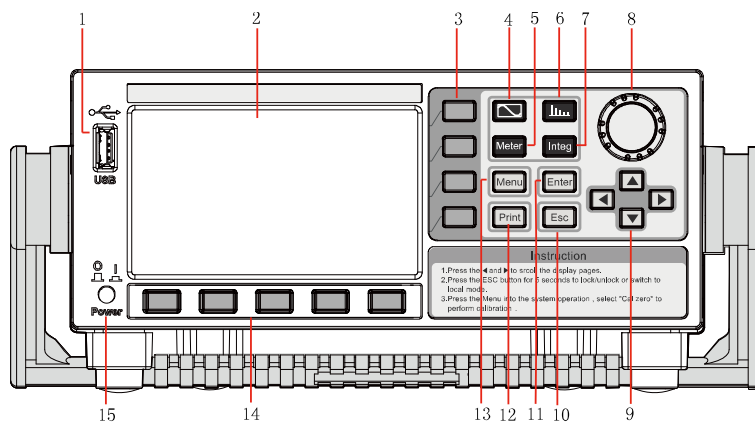
Model		Voltage	Current
IT9121	IT9121(G)	600V	20A
IT9121E	IT9121E(G)	600V	20A
IT9121C	IT9121C(G)	600V	50A
IT9121H	IT9121H(G)	1000V	20A


NOTE

- All the machine interface diagrams in this manual are taken as an example of the IT9121 model, please refer to the corresponding machine for other models.
- IT9100(G) is the model with built-in GPIB, the function is the same as standard model, please check with ITECH for availability.

1.2 Introduction of front panels

Schematic diagram of front panel of IT9120 series power meter and diagram of key functions.

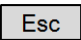






- | | | |
|--------------------------|-------------------|--------------------|
| 1 USB Interface | 2. Display | 3. Menu key |
| 4. Waveform Display key | 5 Basic functions | 6. Harmonic key |
| 7. Integrator key | 8. Setting knob | 9. Arrow keys |
| 10. Hold/Esc key | 11. Enter key | 12. Image Save key |
| 13 Parameter setting key | 14. Menu key | 15 Power switch |

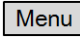
1.3 Introduction of keyboard

The functions of keys on the front panel of the IT9120 series power meter are shown in the following table.

Key tag	Name and function
	Waveform Display key When this key is pressed, the waveform corresponding to current measurement data will be displayed.
	Harmonic Measurement key When this key is pressed, the harmonic measurement results and the menu of harmonic measurement parameter configuration will be displayed.
	Basic Measurement key When this key is pressed, the measurement data of various items will be displayed.
	Integral Measurement key When this key is pressed, the integral measurement results and the menu of integral measurement parameter configuration will be displayed.
	Menu key, used for setting relevant measurement parameters of the power meter.
	Enter key, used for saving the settings.
	Image Save key

Key tag	Name and function
	Cancel/ESC key The front panel keyboard can be locked/unlocked when the ESC key is constantly pressed for 5s. The remote control mode of the power meter can be switched to the panel operation mode when the ESC key is constantly pressed for 5s.
 	Up/Down key and Left/Right key List Edit: those lines which are not displayed can be displayed by operating the Left/Right key. Those rows which are not displayed can be displayed by operating the Up/Down key. Menu Edit: the programming items can be rolled by operating the Up/Down key. Prompts of corresponding options are displayed on the right and options can be selected via the soft key. Digit Edit: the programming items can be rolled by operating the Up/Down key. The digit to be edited is selected by operating the Left/Right key or via the knob. Carrying can be completed automatically.
	Soft key The contents on the left of the key and the menu function displayed above the key on the display screen may be subject to changes.
	Knob key, used for setting the value indicated by the cursor, selecting the voltage and current range, adjusting the waveform, etc.

1.4 Introduction of Menu Function

Press this  key to enter the system menu function. Menu is described as follows.

Menu	Menu setting			
SYSTEM	SYSTEM INFO		Instrument system information	
	Model	Instrument model		
	Serial	Instrument SN		
	Cpu Version	The version of CPU		
	Dsp Version	The version of Digital Signal Processing		
	MAC address	Network hardware address		
	Socket Port	Port number		
	COMM CONFIG		Communication configuration	
	R232	BAUD Rate	Set the communication baud rate:4800/9600/19200/38400/57600/115200	
		Parity Check	Communication parity check bit: Default: NONE	
		Data bit	Communication data bit: 8 (default)	
Stop bit		Communication stop bit: 1 (default)		
USB	Type B Connect	Select the USB communication interface.		

	GPIB	GPIB Address	The address is adjustable between 1 and 30.	
	LAN	IP mode	IP mode: MANU/DHCP	
		IP Address	IP address setting	
		Subnet mask	Set the subnetmask.	
		Gateway	Set the gateway.	
	SYSTEM CONFIG		System configuration	
	Date (YY/MM/DD)		System date: Year/Month/Day	
	Time (hh:mm:ss)		System time: Hour/Minute/Second	
	Brightness		Set the screen brightness.	
	Beep		Set the keyboard sound	
	SELF TEST		Self test	
	SYSTEM SELF_TEST		Self test	
	INITIAL		Initialize	
	SYSTEM INITIAL		System initialization	
SETUP	SETUP INFO		Configuration information	
	Averag		Average	
	Sync Source		Synchronization	
	Line Filter		Line filter	
	Update Rate		Data updating rate	
	Freq Filter		Frequency filter	
	Crest Factor		Crest factor	
	ExSensor1		External current sensor 1	
	ExSensor2		External current sensor 2	
	Rate(V/A)		Conversion ratio of external current sensor 1	
	Rate(mV/A)		Conversion ratio of external current sensor 2	
	U_Range		Voltage range	
	I_Range		Current range	
	AVERAG SET		Average function setting	
	State		Status	
	Mode		Mode	
	Type		Loading Type	
	Count		Counting cycle	
	EXT SEN SET		External current sensor setting	
	EXSENSOR 1		Set the external current sensor 1: ON/OFF	
	Ratio(V/A)		Set the conversion ratio of the external current sensor 1	
	EXSENSOR 2		Set the external current sensor 2: ON/OFF	
	Ratio(mV/A)		Set the conversion ratio of the external current sensor 2	
	OTHER SET		Other settings	
	Sync Source		Select the synchronization source: U/I/OFF	
	Freq Filter		Set the frequency filter: ON/OFF	

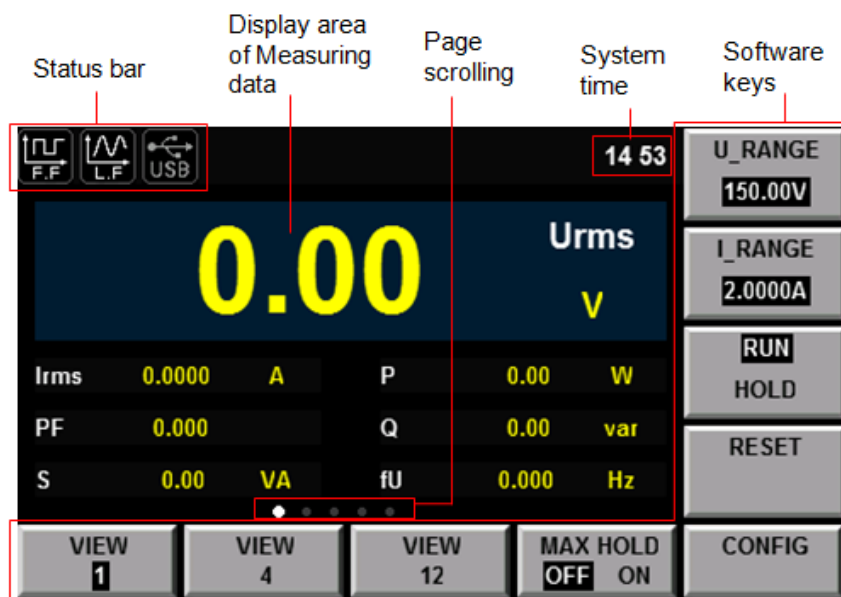
	Line Filter	Set the line filter: ON/OFF	
	Crest Factor	Set the crest factor: CF3/CF6	
	Update Rate	Set the data updating rate: 0.1s/0.25s/0.5s/1s/2s/5s	
	INRUSH SET		Inrush setting
	State	Status	
	Trig level(A)	Trigger level	
	Delay time(ms)	Delay time	
	Measure time(s)	Measuring time	
CAL ZERO	Calibration Zero		Zero point calibration
	Calibration Zero	Zero point calibration	
RATIO SET	Voltage and Current Ratio		Set the display conversion ratio of voltage and current measurements
	Voltage Ratio	Set the display conversion ratio of voltage measurement	
	Current Ratio	Set the display conversion ratio of current measurement	

1.5 Introduction of Interface Display Information

The IT9120 series power meter has four measurement modes. Below is the introduction of basic interface information, with the basic measurement interface as an example.

Basic measurement interface

Select the "Meter" button, and the initial interface of basic measurement as shown below will appear.



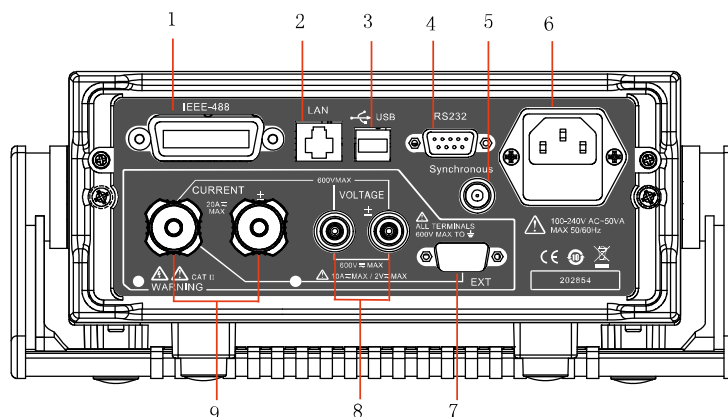
1.6 Introduction of Interface Symbols

The interface of IT9120 series power meter will display the following symbols.

Status Bar icon	Status description
	This icon appears when the line filter is switched on.
	This icon appears when the frequency filter is switched on.
	This icon appears when USB is inserted.
	Over-voltage protection icon: this icon appears when over-voltage occurs.
	Over-current protection icon: this icon appears when over-current occurs.
	Key Lock: this icon appears when the keyboard is locked.
	Remote Lock: this icon appears in remote operation and then local keys fail.
	This icon appears in remote network connection.

1.7 Introduction of rear panels

Schematic diagram of rear panel of IT9120 series power meter.



- | | |
|---|---------------------------|
| 1. GPIB interface(Only for IT9100(G) series.) | 2 Ethernet interface |
| 3 USB Interface | 4. RS232 interface |
| 5. External synchronization signal interface | 6 Power interface |
| 7. External sensor interface | 8. Voltage input terminal |
| 9. Current input terminal | |



Warning: The external sensor interface (as shown in Fig. 7 above) of IT 9121 power meter is installed with a protective jacket at ex-factory, which should be correctly installed at all circumstances unless an external sensor permitted by ITECH is used.

Chapter2 Inspection and Installation

2.1 Verifying the Shipment

Unpack the box and check the contents before operating the instrument. If wrong items have been delivered, if items are missing, or if there is a defect with the appearance of the items, contact the dealer from which you purchased the instrument immediately. The package contents include:

Table 1-1 Checklist of Package Contents

Item	Qty.	Model	Remarks
Power Meter	x1	IT9120 series	IT9120 series include: IT9121/IT9121H/IT9121C/IT9121E
Power cord	x1	IT-E171/IT-E172 /IT-E173/IT-E174	User may select an appropriate power cord that matches the specifications of power socket used in the area. Refer to the Section 2.3.4 Connecting the Power Cord for details of such specifications.
USB cable	x1	-	-
Product Recycling Notices	x1	-	It presents notices on recycling of the instrument.
Packing List	x1	-	It lists all the package contents.
Calibration Report	x1	-	It is the test report of the instrument before delivery.
Test leads	x1	IT-E301-30A, IT-E301-10A	IT-E301-30A (Both are Y type terminals) IT-E301-10A (banana plug –Y type terminal)



NOTE

Upon verification of the shipment, keep the package and relevant contents thereof in a safe place. When returning the instrument for warranty service or repair, the specified packing requirements shall be met. Refer to [8.5 Returning Your Power Meter for Service](#) for detailed requirements on returns.

IT9120 series Power Meter is supplied with the following optional accessories (sold separately):

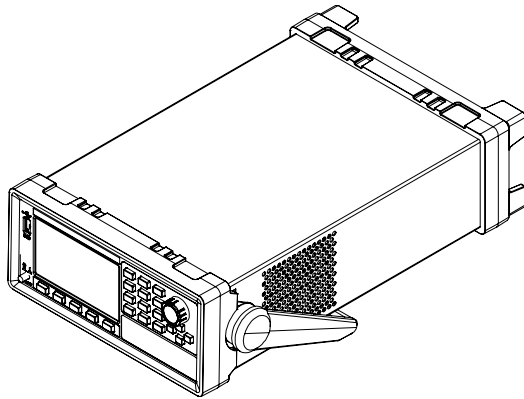
Item	Model	Remarks
Rack mount kit	IT-E151/IT-E151A	To mount the instrument on a special rack, user may select this optional.
Test fixture box	IT-E185	Use IT-E185 fixture in AC input power consumption of AC-DC adapter. Refer to the Section 2.5.6 Instructions of IT-E185 Fixture for details of installation.
Current sensor	IT-E190	-

2.2 Instrument Size Introduction

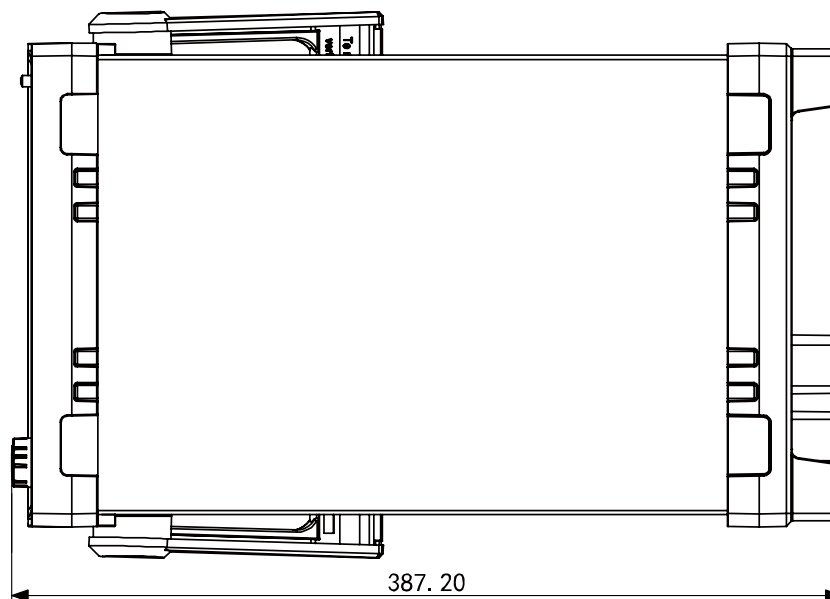
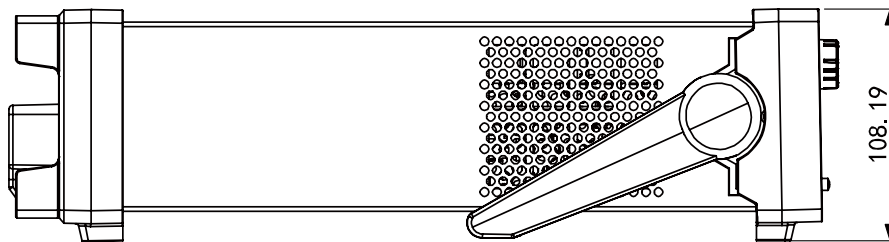
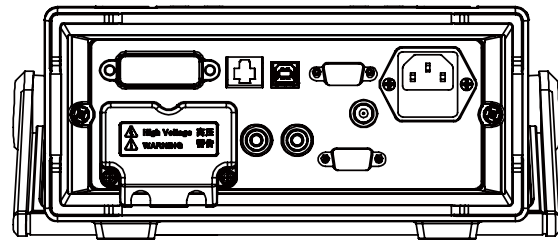
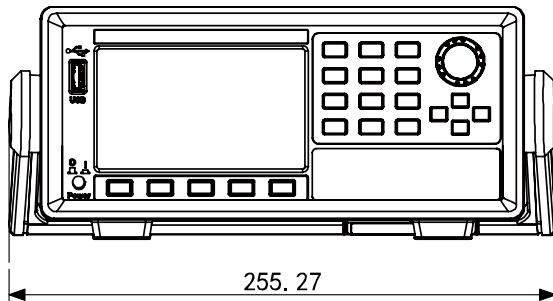
The instrument should be installed at well-ventilated and rational-sized space. Please select appropriate space for installation based on the instrument size.

The detailed dimension drawings of the IT9120 series are as follows (unit: mm).

IT9121/IT9121H/IT9121C/IT9121E Model



Detailed dimensional drawings



2.3 Installing the Instrument

Power Meter can be either placed directly on a desktop or mounted on the rack supplied as an optional accessory.

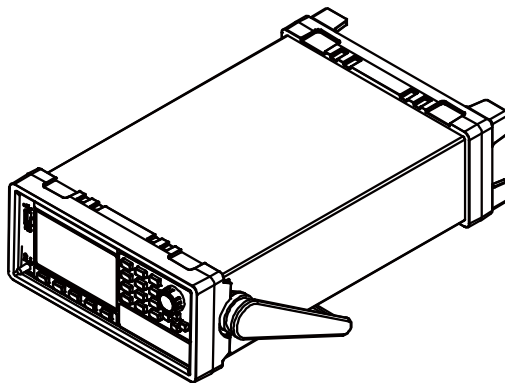
2.3.1 Adjusting the Handle

The instrument is equipped with a handle for user to easily carry and place it.

The handle can be adjusted in three manners as shown in the figure below. To adjust the handle, first pull out the handle gently toward the left and right sides of the instrument, and then rotate it slowly to its alignment keys.

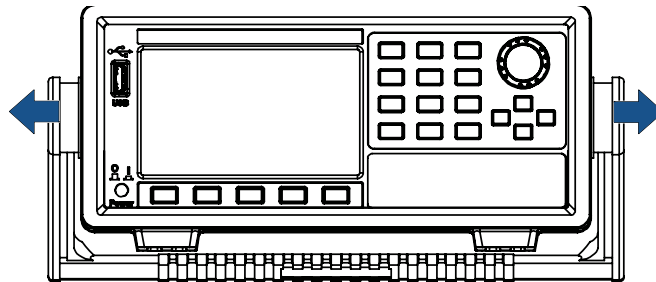
Horizontal Position

Place the instrument horizontally on a desktop.

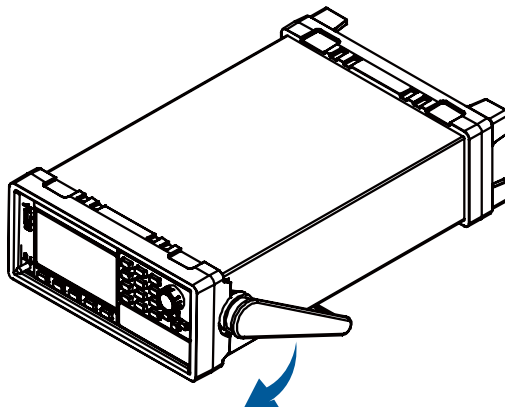


Adjusting the Position

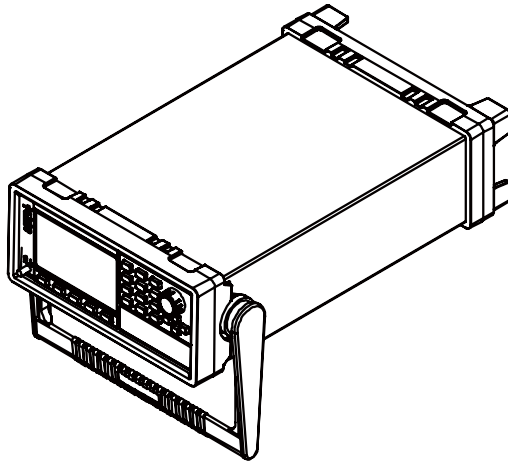
1. Pull out the handle to a rotatable state, as shown below.



2. Rotate the handle to the desired position, as shown below.



3. Place the instrument on a desktop, as shown below.

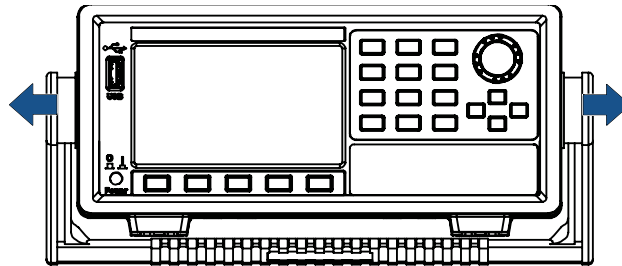


2.3.2 Removing the Handle

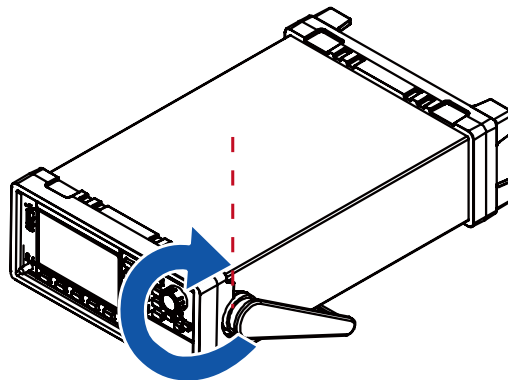
To mount the instrument on a rack, first remove the handle from the instrument.

The handle can be removed following the procedures below:

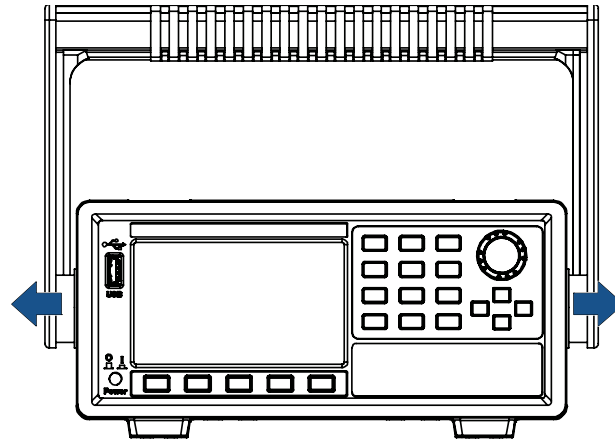
1. Pull out the handle toward the left and rights sides and it can be rotated.



2. Rotate the handle to the position as shown in the following figure.



3. Pull out the handle toward the left and rights sides of the instrument from the alignment hole.


NOTE

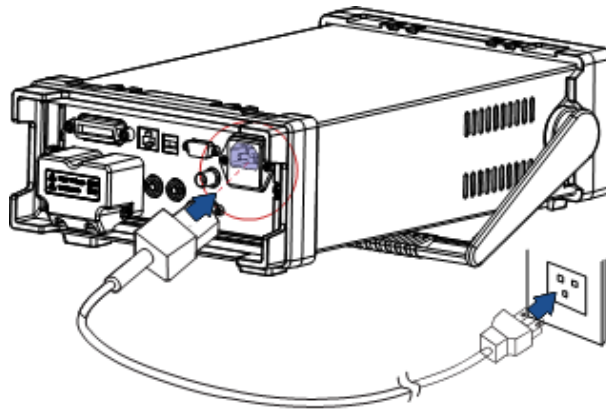
The handle can be easily removed from the alignment hole and key between the handle and the instrument. When mounting or removing the handle, do not squeeze it too hard and mind your hand.

2.3.3 Rack Mounting

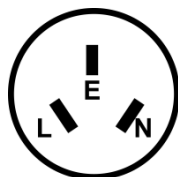
IT9120 series Power Meter can be mounted on a standard 19" rack. ITECH provides user with IT-E151/IT-E151A rack, an optional mount kit.

2.3.4 Connecting the Power Cord

Connect the power cord after checking that the power switch of the instrument is turned OFF. Only use the power cord supplied as a standard accessory. A summary of connection procedures is given below.



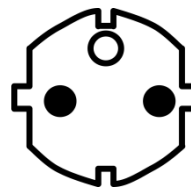
Select from the following Schedule of Power Cord Specifications an appropriate power cord that matches the voltage for the area in which you use the instrument. If the power cord included in the instrument you purchased does not match the voltage, contact the dealer or manufacturer for change.



China
IT-171



America, Canada,
Japan
IT-E172



Europe
IT-E173



Britain
IT-E174

2.4 Inspecting the Instrument

This chapter presents you an overview of the front and rear panels and the power-on checkups that are necessary to ensure the instrument starts and functions properly under the initial conditions.

2.4.1 Power-on Self-Test

A power-on self-test is a process performed by the instrument to confirm that the instrument purchased by user meets our delivery standards and can function properly during normal use.

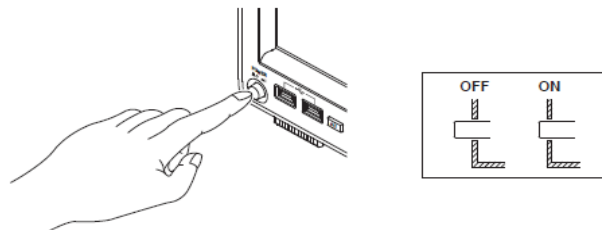
Before operation, make sure you've read carefully and understand all the general safety precautions contained in the manual.

WARNING

- Before turning on the instrument, make sure the mains voltage matches the supply voltage so as to prevent burnout of the instrument.
- Always put the mains plug into the grounded socket. Never use an ungrounded wiring board. Before operation, check if the instrument is grounded properly.
- To prevent burnout of the instrument, check the “+” and “-” symbols and maximum voltage and current before connecting the power cord.

The process of power-on self-test is illustrated as follows:

1. Connect the power cord properly and then press **Power** to turn on the instrument.



2. At power-on, the instrument model and version information are displayed.



3. When startup completes successfully, the screen displays the following information:



- Select Menu to access the System Configuration interface. Press SYSTEM to access the SYSTEM INFO interface on which the product model, serial number, computer software version and other information are displayed.



- Select SELF TEST, and the System Self-Test interface will pop up.



- Press **START** to start self-test of the system, including LCD, LED, Display and RAM.

An "OK" symbol following each test item denotes the test result is acceptable, while a "DONE" symbol denotes the test result is subject to user's self judgment, such as whether LED displays clearly or not.

- Press **KEY TEST** to check whether keys function properly.

Press all the keys on the front panel; if the icon corresponding to a key shows a black shade, it means the key functions properly.

2.4.2 Zero Calibration

Zero calibration is a feature used to create a state under which input signal is adjusted to zero through the internal circuit; meanwhile, the electrical level is set to zero.



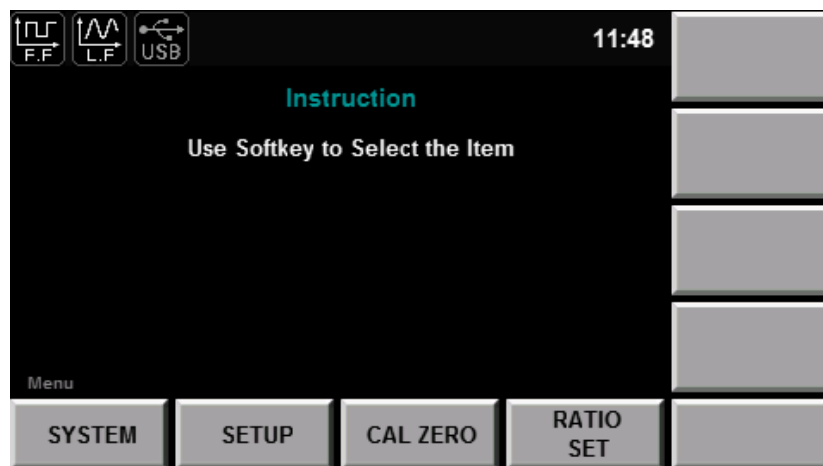
NOTE

When the measurement range and input filter remain constant for long, the zero level will change with the ambient environment conditions. In this case, zero calibration is recommended.

To make accurate measurements, allow the instrument to warm up for at least 30 min before zero calibration. In addition, make sure the ambient temperature is controlled within the specified range.

The detailed procedures of zero calibration are shown as follows:

1. Connect the power cord properly and then press Power key to turn on the instrument.
2. Select Menu to access the System Configuration interface.



3. Select CAL ZERO->START to start zero calibration.

Wait 1 min for the zero calibration until "Cal Zero is Completed" displays.

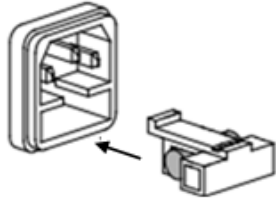
2.4.3 Replacing the Fuse

During normal use of the instrument, you need to replace a blown fuse where necessary by following the procedures below:

1. First pull out the power cord, and then take out the fuse block from the power cord jack with a small screwdriver, as shown below:



2. Have a visual inspection of the fuse to see whether it is burnt out; if yes, replace it with another fuse of the same specification. T1.25A-250V fuse is used for IT9121/IT9121H/IT9121C/IT9121E Power Meter.
3. After replacement, mount the fuse block to the original position, as illustrated below:



2.5 Wiring the Circuit under Measurement

IT9120 series Power Meter is an instrument used to measure electric energy factors (including voltage, current and power) of various electrical appliances. This chapter explains how to wire a typical circuit under measurement.

User may select to wire the circuit either for direct input or using current sensors, depending on the amplitude of the measured voltage or current.

2.5.1 Precautions when Wiring the Circuit

WARNING

- To prevent electric shock, turn the circuit under measurement off before connection.
- Always put the mains plug into the grounded socket. Never use an ungrounded wiring board. Before connecting the circuit, make sure the electronic load is grounded properly.
- Do not wire a current circuit to the voltage input terminal or a voltage circuit to the current input terminal.
- Strip the insulation covers of the measurement cables so that when they are wired to the input terminals, the conductive parts (bare wires) do not protrude from the terminals. Also, make sure to fasten the input terminal screws securely so that cables do not come loose.
- When connecting measurement cables to the voltage input terminals, only connect measurement cables that have safety rubber terminals that cover their conductive parts. Also, make sure to fasten the input terminal screws securely so that cables do not come loose.
- When connecting cables to the external current sensor input terminals, only connect cables that have safety terminals that cover their conductive parts. Also, make sure to fasten the input terminal screws securely so that cables do not come loose.
- When connecting a measurement cable from an external current sensor to an external current sensor input connector, remove the cables connected to the current input terminals. Also, when the voltage of the circuit under measurement is being applied to the external current sensor input terminals, do not touch the current input terminals. Doing so may impair the measurement accuracy or cause personal injuries.
- When using an external current sensor, make sure to use a sensor that comes in a case. The conductive parts and case should be insulated, and

the sensor should have enough dielectric strength for the voltage of the circuit under measurement.

CAUTION

- Use measurement cables satisfying the rated conditions and with dielectric strengths and current capacities that are appropriate for the voltage and current being measured.
- Example: when making measurements on a current of 20A, use copper wires that have a conductive cross-sectional area of 4mm² or greater.
- Attaching a measurement cable to the instrument may cause radio interference in which case the user is required to take proper protective measures.

2.5.2 Selection of measurement method

According to the size of measured voltage and current, select the method of measurement from the following table. The details of the wiring method instructions, please see the corresponding section.

Current \ Voltage	≤600V(IT9121/IT9121C/ IT9121E)	>600V(IT9121/IT9121C/ IT9121E)
	≤1000V (IT9121H)	>1000V (IT9121H)
≤20A(IT9121/IT9121H/ IT9121E) ≤50A(IT9121C)	Direct input (See section 2.5.3)	Current wiring: direct input (See section 2.5.3) Voltage wiring: VT method (See section 2.5.5)
>20A(IT9121/IT9121H/ IT9121E) >50A(IT9121C)	Current sensor (See section 2.5.4)	VT/CT method (See section 2.5.5)

2.5.3 Wiring the Circuit under Measurement for Direct Input

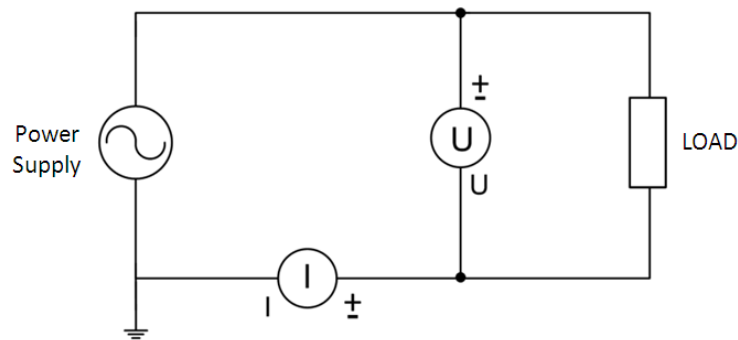
Under the condition that the measured voltage and current are within the measurement range, when the voltage is 600V or less and the current is 20A or less, you may measure the current and voltage of the circuit for direct input.

There are several patterns of terminal wiring positions shown in the following figures for wiring the voltage input and current input terminals. Depending on the terminal wiring positions, the effects of stray capacitance and the effects of the measured voltage and current amplitudes may become large. To make accurate measurements, refer to the factors below when wiring the voltage input and current input terminals.

- Effects of stray capacitance

When you are measuring a single-phase device, you can minimize the effects of stray capacitance on measurement accuracy by connecting the instrument's current input terminal to the side that is closest to the earth

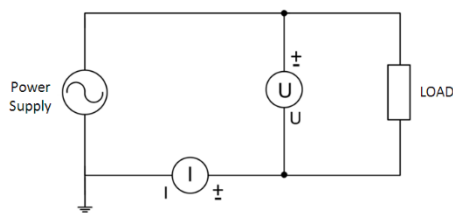
potential of the power supply (SOURCE), as shown below:



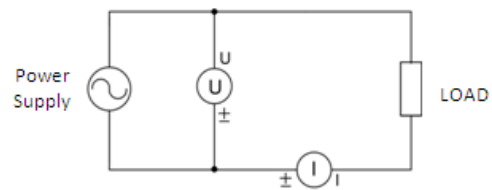
- Effects of the measured voltage and current amplitudes

When the measured current is relatively large, connect the voltage input terminal to the side that is closest to the load. When the measured current is relatively small, connect the current input terminal to the side that is closest to the load.

When the measured current is relatively large:



When the measured current is relatively small:



- Voltage input terminals

The terminals are safety banana jacks (female). Only insert a safety terminal whose conductive parts are not exposed into a voltage input terminal.

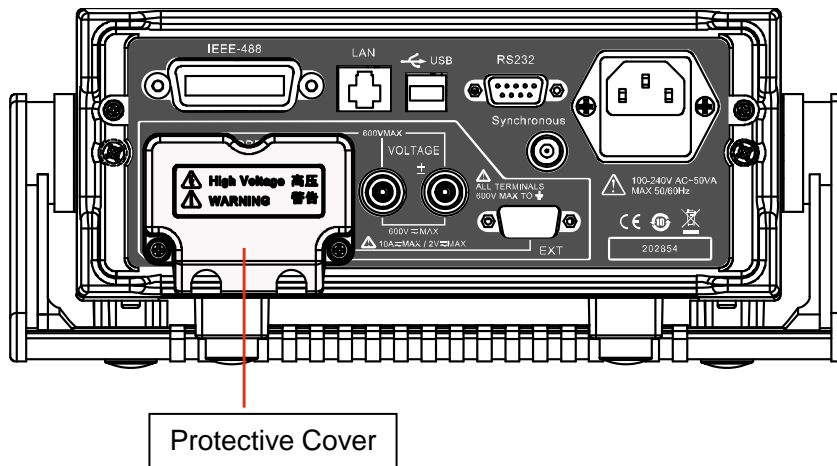
- Current input terminals

The terminals are binding posts, and the screws are M6. Either wind a wire around a screw or pass a crimped terminal through the screw axis, and then tighten firmly with the terminal knob.

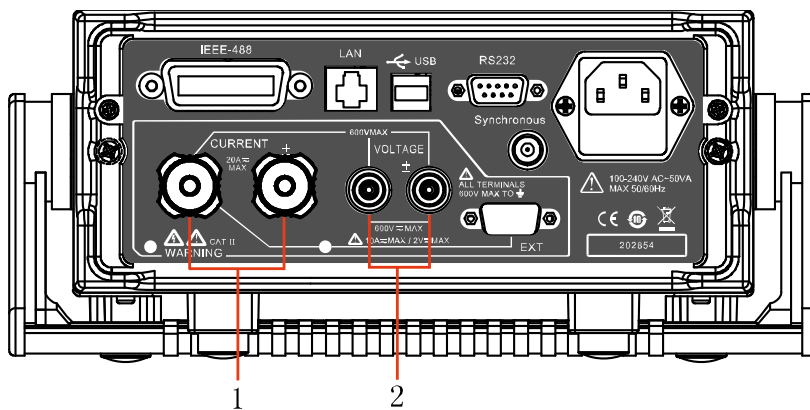
Connection Procedures

The procedures of wiring the circuit when measuring relatively small current are shown as follows:

1. Remove the protective cover over the current input terminals.

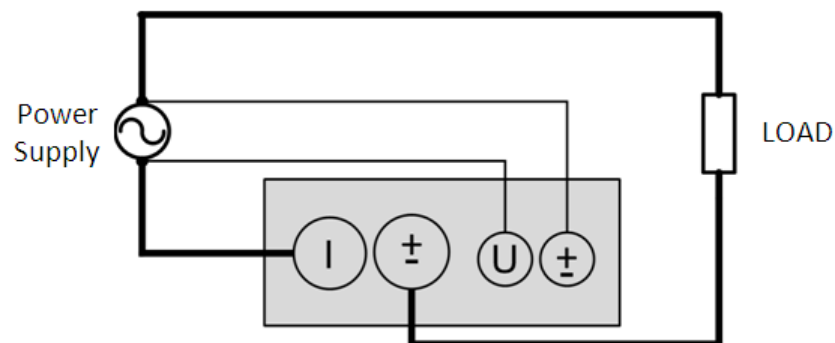


2. The current input and voltage input terminals on the rear panel are shown as follows:



1: Current input terminals 2: Voltage input terminals

3. Connect the circuit under measurement as shown in the wiring diagram below:



CAUTION

- Use measurement cables satisfying the rated conditions and with dielectric strengths and current capacities that are appropriate for the voltage and current being measured.
- Example: when making measurements on a current of 20A, use copper wires that have a conductive cross-sectional area of 4mm² or greater.

- Attaching a measurement cable to the instrument may cause radio interference in which case the user is required to take proper protective measures.

4. For safety reasons, after you connect the circuit under measurement, attach the protective cover over the current input terminal to prevent contact with the terminal during measurement.

2.5.4 Wiring the Circuit under Measurement When Using Current Sensors

If the maximum current of the circuit under measurement exceeds the measurement range, you can measure the current of the circuit by connecting a dual-circuit external current sensor to the external current sensor input connector of the instrument.

WARNING

- When using an external current sensor, do not remove the protective cover on the current input terminals to prevent contact with the terminal during measurement.
- Remove the measurement cable connected to the current input terminal. Because the external current sensor input terminal and the current input terminal are connected internally, connecting both terminals simultaneously may result in measurement errors or cause damage to the instrument. Also, when the voltage of the circuit under measurement is being applied to the external current sensor input terminals, do not touch the current input terminals. Doing so may impair the measurement accuracy or cause personal injuries.

The external current sensor connected to the instrument may have either a Constant Range or an Auto Range.

- Constant Range

Model	EXT1	EXT2
IT9121	CF=3: 2.5V, 5V, 10V CF=6: 1.25V, 2.5V, 5V	CF=3: 50mV, 100mV, 200mV, 500mV, 1V, 2V CF=6: 25mV, 50mV, 100mV, 250mV, 0.5V, 1V
IT9121E	CF=3: 2.5V, 5V, 10V CF=6: 1.25V, 2.5V, 5V	CF=3: 50mV, 100mV, 200mV, 500mV, 1V, 2V CF=6: 25mV, 50mV, 100mV, 250mV, 0.5V, 1V
IT9121H	CF=3: 2.5V, 5V, 10V CF=6: 1.25V, 2.5V, 5V	CF=3: 50mV, 100mV, 200mV, 500mV, 1V, 2V CF=6: 25mV, 50mV, 100mV, 250mV, 0.5V, 1V
IT9121C	CF=3: 5V, 10V CF=6: 2.5V, 5V	CF=3: 100mV, 250mV, 500mV, 1V, 2.5V CF=6: 50mV, 125mV, 250mV, 0.5V, 1.25V

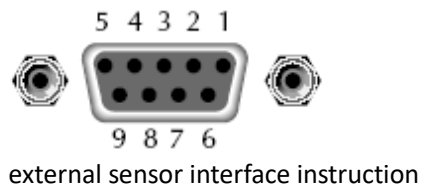
- Auto Range

The measurement range can switch automatically depending on the

amplitude of input signal.

External Sensor Interface

Each pin of the external sensor interface is described as follows.

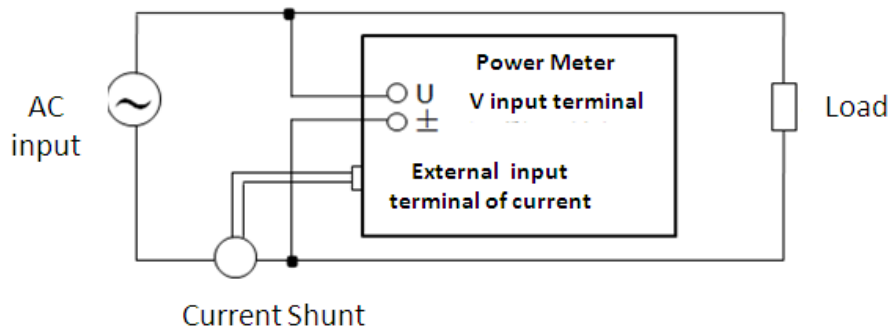


Pin	Description
1	NC
2	OverLoad (output pin)
3	NC
4	GND
5	EX2
6	NC
7	NC
8	GND
9	EX1

Connection Procedures

Connect an external current sensor with a measurement range appropriate for the amplitude of measured current. When the measured current is 100A, select a current sensor with an output voltage not exceeding this limit.

Assuming that the output voltage generated by 1A current flowing the current sensor is X mV (Conversion Ratio), the maximum voltage generated by 100A flowing a 10mV current sensor is $10\text{mV/A} \times 100\text{A} = 1\text{V}$. Therefore, the measurement range of the current sensor must be EXT2, and the Conversion Ratio is set at 10mV/A.



1. Connect the power supply, external current sensor, electronic load and Power Meter as shown in the wiring diagram.
2. Turn on the power meter.
3. Select **Menu > SETUP > EXT SEN SET** to access the External Sensor Setup interface.



4. First press ▲ ▼ to select ExSENSOR2. Then press ON to turn on the external current sensor and set the Conversion Ratio at 10mV/A using the knob.



5. Press Enter to save the settings.
6. Press Esc to exit the settings; and press A-RANGE on the Integ page to query the settings.

2.5.5 Wiring the Measurement Circuit with VT/CT

When the maximum voltage and current of the measured object exceed the maximum measurement range of the instrument, you can measure parameters with the external voltage transformer (VT) and current transformer (CT).

- When the maximum voltage value exceeds 600V, connect the external VT and connect the voltage input terminals to the secondary side terminals. (IT9121/IT9121C/IT9121E)
- When the maximum voltage value exceeds 1000V, connect the external VT and connect the voltage input terminals to the secondary side terminals. (IT9121H)
- When the maximum current value exceeds 20A, connect the external CT and connect the current input terminals to the secondary side terminals. (IT9121/IT9121H/IT9121E)
- When the maximum current value exceeds 50A, connect the external CT and connect the current input terminals to the secondary side terminals. (IT9121C)

WARNING

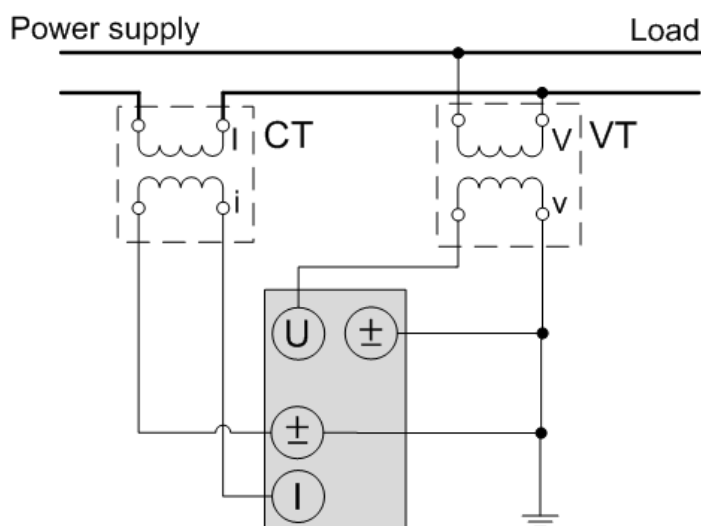
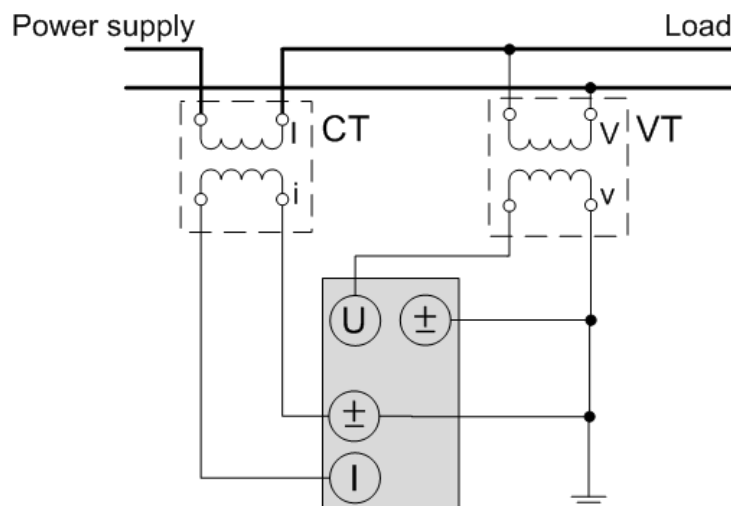
- When connecting a measurement cable from CT to the current input terminals, remove the cables connected to the external current sensor terminals. Also, when the voltage of the circuit under measurement is being applied to the current input terminals, do not touch the external current sensor input terminals. Doing so may impair the measurement accuracy or cause personal injuries.
- About the VT or CT usage instructions, please comply with the instructions.

Ratio Function

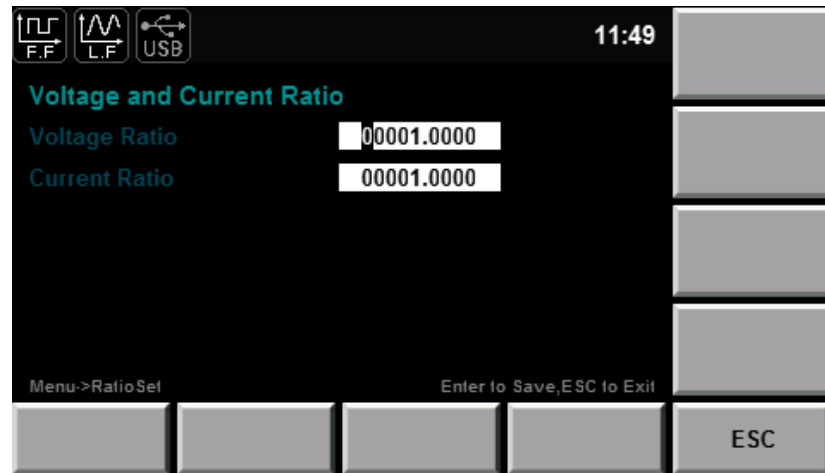
When measuring voltage, current and power of DUT with VT/CT, connect the secondary side output terminals of VT/CT to power meter input terminals, user can set ratio value of VT/CT. Power meter interface displays the value which multiplied by a ratio factor.





Connection Method

The connection methods are as follows, you can choose any one of them. To ensure safety, please connect the VT/CT secondary side public port (+/-) to the ground.



1. Connect the power supply, VT, CT, load and power meter according to the circuit diagram.
2. Turn on the power meter.
3. Choose “**Menu >RATIO SET**” to enter Voltage and Current Ratio page.



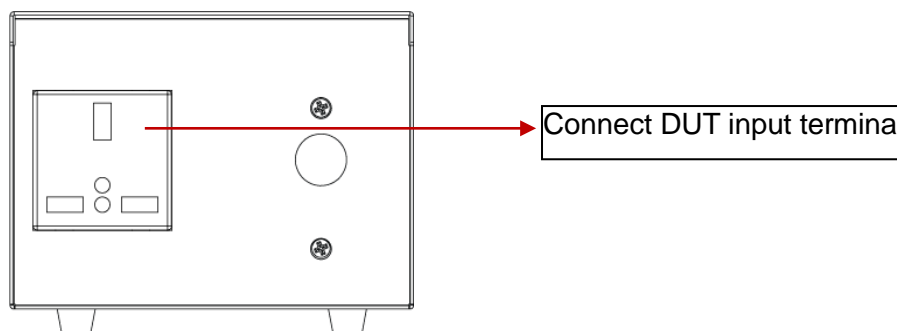
4. Press   key to choose “Voltage Ratio” or “Current Ratio”. Use rotary knob and   key to set VT/CT ratio value.
5. Press **[Enter]** key to save the configuration.
6. Press **[ESC]** key to exit the configuration page..

2.5.6 Instructions of IT-E185 Fixture

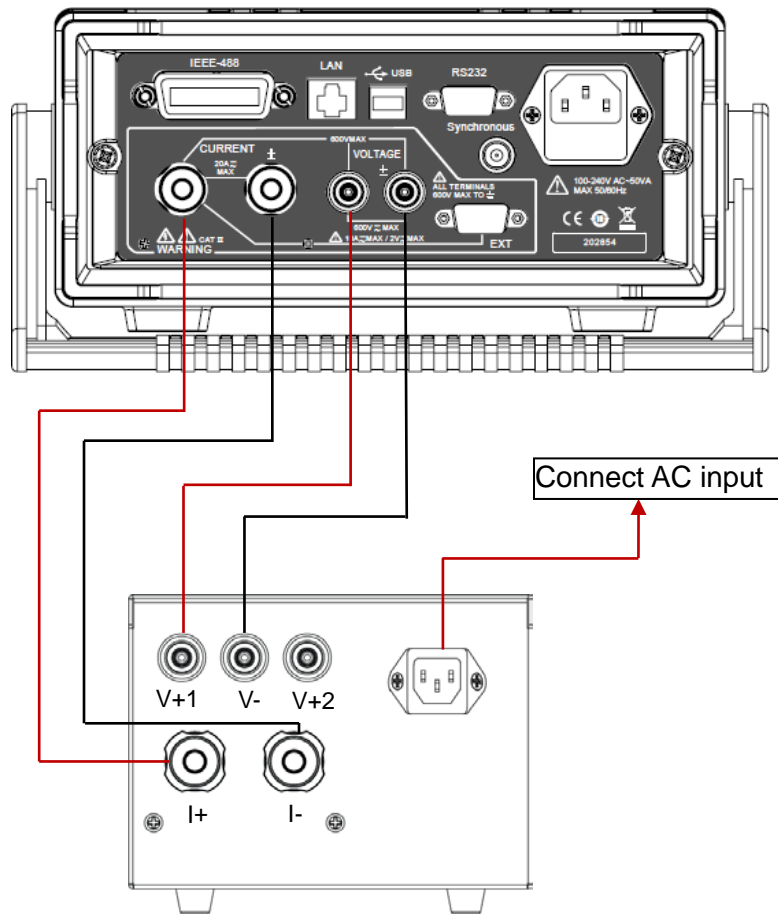
IT-E185 fixture is used in AC input power consumption of AC-DC adapter, IT9120 series is connected in serial to the adapter and electric supply.

Connection Method

Connect DUT to the front panel of IT-E185 fixture, as shown in the following figure:



Connect power meter to the rear panel of IT-E185 fixture, as shown in the following figure:



Chapter3 Measurement Conditions

This chapter describes details of relevant work to be finished before use of the IT9120 series power meter.

3.1 Setting of Measurement Range

The appropriate measurement range (voltage and current range) must be set for accurate measurement. The selected range is effective for different measurement modes, such as waveform display, integral measurement and harmonic measurement. The table below shows the voltage and current range of series IT9120.

Model	Voltage Range	Current Range
IT9121	CF=3: 15V, 30V, 60V, 150V, 300V, 600V, Auto CF=6: 7.5V, 15V, 30V, 75V, 150V, 300V, Auto	CF=3: 5mA, 10mA, 20mA, 50mA, 100mA, 200mA, 500mA, 1A, 2A, 5A, 10A, 20A, Auto CF=6: 2.5mA, 5mA, 10mA, 25mA, 50mA, 100mA, 250mA, 0.5A, 1A, 2.5A, 5A, 10A, Auto
IT9121E	CF=3: 15V, 30V, 60V, 150V, 300V, 600V, Auto CF=6: 7.5V, 15V, 30V, 75V, 150V, 300V, Auto	CF=3: 5mA, 10mA, 20mA, 50mA, 100mA, 200mA, 500mA, 1A, 2A, 5A, 10A, 20A, Auto CF=6: 2.5mA, 5mA, 10mA, 25mA, 50mA, 100mA, 250mA, 0.5A, 1A, 2.5A, 5A, 10A, Auto
IT9121H	CF=3: 15V, 30V, 60V, 150V, 300V, 600V, 1000V(CF=1.5), Auto CF=6: 7.5V, 15V, 30V, 75V, 150V, 300V, 500V(CF=3), Auto	CF=3: 5mA, 10mA, 20mA, 50mA, 100mA, 200mA, 500mA, 1A, 2A, 5A, 10A, 20A, Auto CF=6: 2.5mA, 5mA, 10mA, 25mA, 50mA, 100mA, 250mA, 0.5A, 1A, 2.5A, 5A, 10A, Auto
IT9121C	CF=3: 15V, 30V, 60V, 150V, 300V, 600V, Auto CF=6: 7.5V, 15V, 30V, 75V, 150V, 300V, Auto	CF=3: 1A, 2A, 5A, 10A, 20A, 50A, Auto CF=6: 0.5A, 1A, 2.5A, 5A, 10A, 25A, Auto

Operation steps

1. In the "Meter" interface Press the soft key corresponding to "V-RANGE" or "A-RANGE", and use the knob or "▲ ▼" to select the voltage or current range.
 2. Press the "Enter" key to confirm the setting. The instrument will automatically confirm and exit the setting in case of no operation on the interface for more than 5s.
- When the crest factor is 6:

Figure: Voltage Range(Take IT9121 as an example, see the following figure.)



Figure: Current Range(Take IT9121 as an example, see the following figure.)



- When the crest factor is 3:

Figure: Voltage Range(Take IT9121 as an example, see the following figure.)



Figure: Current Range(Take IT9121 as an example, see the following figure.)


NOTE

When EX1 or EX2 is installed, the power meter has more current range options. See details in [2.5.4 Wiring the Circuit under Measurement When Using Current Sensors](#).

Voltage and current range

Set the measurement range according to the level of the effective value. When the voltage or current signal is input into the input unit, there are two types of range: fixed and automatic.

Fixed range

Select the required range from a number of options. After selection, the range will not change with the input signal. For the voltage range of IT9121, when the crest factor is 3, the maximum option is “600V” and the minimum option is “15V”. When the crest factor is 6, the maximum option is “300V” and the minimum option is “7.5V”.


NOTE

During measurement of the distortion waveform and other non-sinusoidal wave signals, the accuracy of measurement can be improved by selecting the minimum range on the premise that the measured value does not exceed the range.

Auto-measuring span

The range is switched automatically according to the input signal. The range types for switching are the same as those of the fixed range.

Principles of automatic range level increase:

The range level is increased when any one of the following conditions is satisfied.

- Urms or Irms exceeds 110% of the current range setting.
- The crest factor is 3. The value Upk or Ipk of the input signal exceeds 330% of the current range setting.
- The crest factor is 6. The value Upk or Ipk of the input signal exceeds 660 % of the current range setting.

Principles of automatic range level decrease:

The range level is decreased when all of the following conditions are satisfied.

- Urms or Irms is less than or equal to 30% of the current measurement range.

- The crest factor is 3. The value Upk or lpk of the input signal is less than 300% of the range at the following level.
- The crest factor is 6. The value Upk or lpk of the input signal is less than 600 % of the range at the following level.


NOTE

The selected automatic range may change when the input waveform is a pulse waveform of uncertain cycle. In this case, the fixed range should be selected.

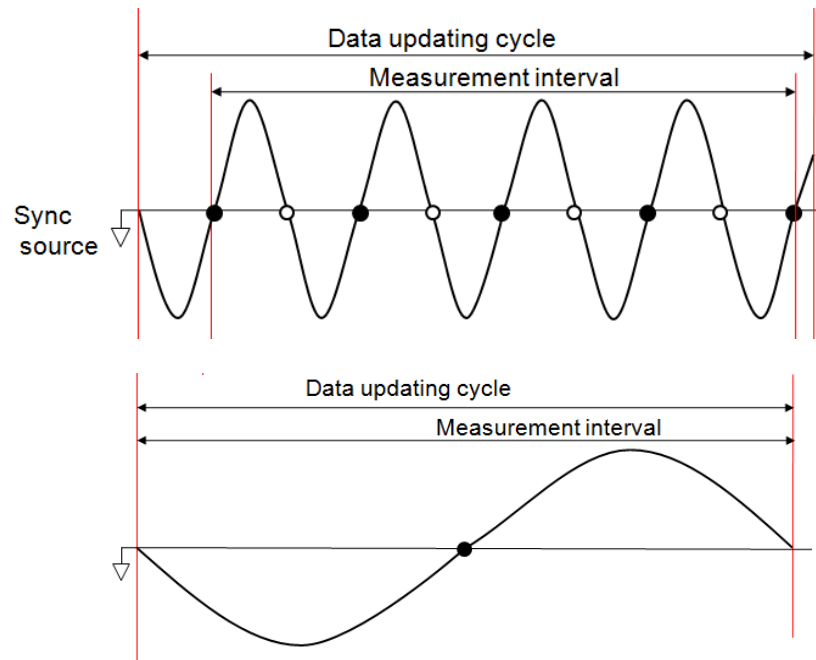
3.2 Setting of Measurement Interval

The time for acquisition of sampling data is determined by the measurement interval during measurement. The measurement interval is determined by the data updating rate and synchronization source. The synchronization source provides reference signals for measurement, and the data updating rate determines the updating cycle of sampling data.

Measurement interval

The measurement interval is determined by the data updating rate and synchronization source. (see “3.3 Setting of Filter and Crest Factor” for specific settings)

- Synchronization
IT9120 series adopts the frequency measurement circuit to test the input signal cycle set in the measurement interval. The measurement interval is the integer times of the test cycle. The measured value of IT9120 series is calculated by averaging sampling data in the measurement interval. The reference input signal used for defining the input signal measurement interval is called the synchronization source.
- Measurement interval for conventional measurement
 - ◆ The measurement interval of the reference input signal is the time from the starting part of the rising slope (or descending slope) through the zero point (intermediate value of amplitude) to the ending point of the rising slope (or descending slope) through the zero point (intermediate value of amplitude). However, the measurement interval which determines the maximum voltage or current is within the overall data updating cycle. Therefore, the measurement of lpk+, lpk-, Upk+, Upk-, Ucf and lcf calculated based on the maximum voltage and current also adopts the data updating cycle as the measurement interval.
 - ◆ The rising or descending edge is selected automatically to prolong the measurement interval.
 - ◆ If there is only one or no rising slope or descending slope within the data updating cycle, the data updating cycle is taken as the measurement interval.
 - ◆ The input signal to be used as the synchronization source can be set in each unit (for synchronization with the zero point of that input signal). The overall interval of the signal voltage, current or data updating cycle can be selected as the synchronization source for measurement.


NOTE



The data updating cycle refers to the cycle used for calculating sampling data of the measurement function. It is identical to the set value of the data updating rate.

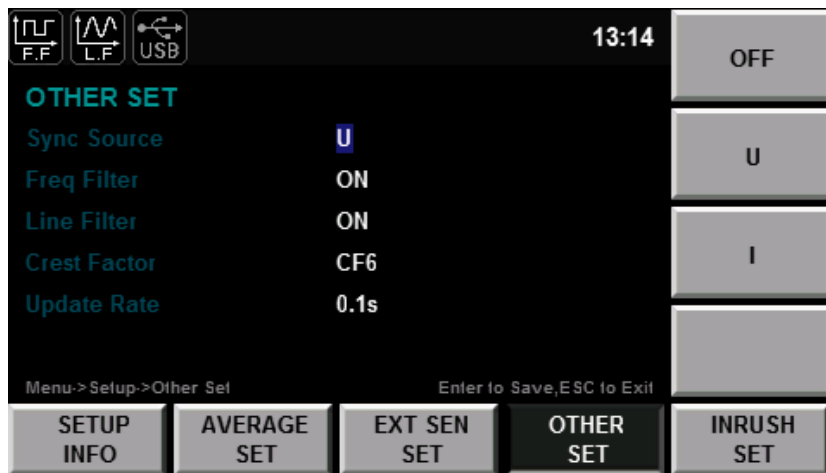
The slope refers to signal changes from low level to high level (rising edge) or from high level to low level (descending edge).

- **Measurement interval for harmonic measurement**
 At the sampling frequency of harmonic measurement, the measurement interval refers to the first point 1024 from the data updating cycle. The sampling frequency of harmonic measurement is determined automatically by the signal cycle set as the PLL source in the instrument. The sampling data or measurement interval for calculation may be different from the sampling data or measurement interval of the measurement function in conventional measurement.

3.3 Setting of Filter and Crest Factor

Operation steps

1. Select **Menu > SET UP > OTHER SET** and enter the OTHER configuration page.
2. Press   to select the parameter to be configured (blue font background), and then press the soft key corresponding to the parameter on the right to set the required value, as shown in the following diagram.



Character	Function description
Sync Source	Select the synchronization source: U/I/OFF. The overall interval of the signal voltage, current or data updating cycle can be selected as the synchronization source for measurement.
Freq Filter	Set the status of the frequency filter. When “ON” is selected, the frequency filter is turned on. When “OFF” is selected, the frequency filter is turned off.
Line Filter	Set the status of the line filter. When “ON” is selected, the line filter is turned on. When “OFF” is selected, the line filter is turned off.
Crest Factor	Set the crest factor: CF3/CF6
Update Rate	Data Updating Rate Setting key: when this key is pressed, the capture interval of the voltage, current, power and other data, i.e. data updating rate, can be set. When the data updating rate is increased, rapid load changes of the power system can be obtained. When the data updating rate is decreased, relative low-frequency signals can be measured. Options of the data updating rate: 0.1s/0.25s/0.5s/1s/2s/5s

3. Press the **Enter** key to save the settings.

Filter

Frequency filter: it is inserted in the frequency measurement circuit and may affect frequency measurement. It can be used for filtering high-frequency components of interference to make the measured frequency parameter more accurate. When the frequency filter is switched on, the voltage or current of no more than 200Hz can be measured. The cutoff frequency is 500HZ.

Line filter: it is inserted in the voltage and current measurement circuit and has direct influence on measurement of the voltage, current and power. When the line filter is switched on, noise and high-frequency components from the inverter or distortion waveform can be filtered. The cutoff frequency is 500HZ.

Crest factor

The crest factor is the ratio of the waveform peak to the effective value. The crest factor of IT9120 series is specified as the times of the crest value which can be input under the rated input conditions. The crest factor **CF3** or **CF6** can be selected in the interface “Menu > SETUP > OTHER SET”.

$$\text{Crest factor (CF)} = \frac{\text{Peak value which can be input}}{\text{Measurement range}}$$

The crest factor can be set as 3 or 6. The crest factor can be measured under the following conditions:

$$\text{Crest factor (CF)} = \frac{\{\text{Measurement range} \times \text{Set value of CF (3 or 6)}\}}{\text{Measured value (effective value)}}$$



NOTE

The crest value of the input signal must be no more than the maximum allowable input value.

When the crest factor of the measured signal is larger than the crest factor in instrument specifications (based on the crest value of rated input), the signal with the crest factor larger than the specified value can be measured by setting a range including the value of the measured signal.

For example, when CF is set as 3 but the measured value (effective value) is less than 60% of the range, the signal with CF more than 5 can be measured.



When CF is 3, the signal with CF equal to 300 can be measured under minimum effective input (1% of the range) conditions.

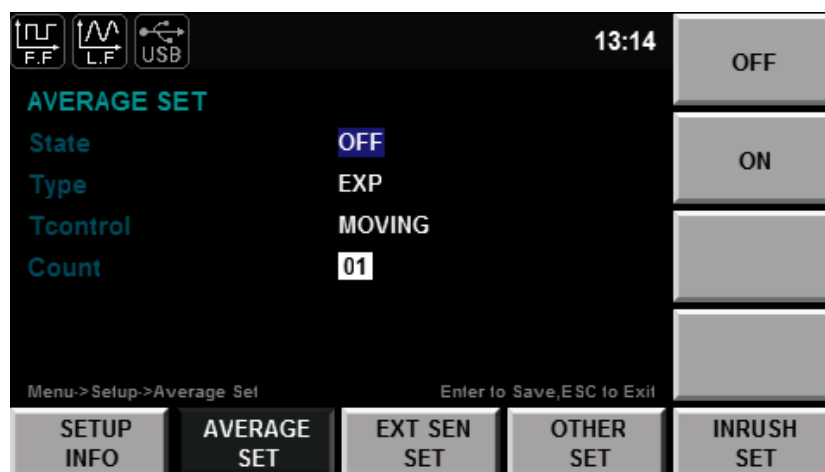
The voltage range, current range, effective input range and measurement accuracy depend on the set crest factor.

3.4 Setting of Averaging Function

The user can set the averaging function via this menu. When the input signal frequency is low, the value is displayed unstably and cannot be read easily. In this case, the averaging function can be enabled to calculate and display the average value of several measurements.

Operation steps

1. Select **Menu > SET UP > AVERAG SET** to enter the configuration page of the averaging function.
2. Press   to select the parameter to be configured (blue font background), and then press the soft key corresponding to the parameter on the right to set the required value, as shown in the following diagram.



Parameter descriptions:

Character	Function description
State	Set the status of the averaging function. When "ON" is selected, the averaging function is enabled. When "OFF" is selected, the averaging function is disabled.
Type	Set the linear averaging type. EXP: index averaging, often used for analysis of the non-stationary process. LINE: linear averaging, often used for measurement and analysis of the stationary random process. The deviation relative to the standard can be reduced by increasing the averaging times.
Tcontrol	Set the mode of the averaging function. MOVING: moving averaging REPEAT: repeated averaging
Count	Set the times of the averaging function. If the mode of the averaging function is set as EXP (index averaging), the attenuation constant can be set. If the mode of the averaging function is set as LINE (linear averaging), the averaging times can be set.

- Press the **Enter** key to confirm the setting.

Averaging mode

- Index averaging:

$$D_n = D_{n-1} + \frac{M_n - D_{n-1}}{k}$$

Computing formula:

D_n : the value displayed after the n th index averaging (D_1 , the value displayed after the first averaging, is equal to M_1)

D_{n-1} : the value displayed after the $(n-1)$ th index averaging

M_n : the n th measured data.

K : attenuation constant (1-64)

- Linear averaging

$$D_n = \frac{M_{n-(m-1)} + \dots + M_{n-2} + M_{n-1} + M_n}{m}$$

Computing formula:

D_n : the value displayed after linear averaging of m values from the $(n-(m-1))$ th to n th value

$M_{n-(m-1)}$: the $(n-(m-1))$ th measured data

M_{n-2} : the $(n-2)$ th measured data

M_{n-1} : the $(n-1)$ th measured data

M_n : the n th measured data.

M : the number of average values (1-64)

When m can be divided exactly by n , the calculated value is the moving average; when there is no particular relationship between m and n , the calculated value is the repeated average.



NOTE

When index averaging is set, averaging is implemented under the harmonic measurement function.

When linear averaging is set, averaging can only be implemented in the conventional measurement function and this mode is not applicable to the harmonic measurement function.

Averaging function

- Measurement function in conventional measurement
The following measurement functions are subject to direct averaging. Data of the following measurement functions are obtained via operation in other modes, and the obtained measurement function is affected averaging.
 - ◆ Urms, Umn, Udc, Urmn, Uac, Irms, Imn, Idc, Irmn, Iac, P, S and Q.
 - ◆ Ucf, Icf, PF and WPAV are calculated by operation of the averaged Urms, Irms, P and S.
- Measurement function in harmonic measurement
The following measurement functions are subject to direct averaging. Data of the following measurement functions are obtained via operation in other modes, and the obtained measurement function is affected averaging.
 - ◆ $U(k)$, $I(k)$, $P(k)$, $S(k)$ and $Q(k)$.
 - ◆ PF(k) is calculated via operation of the averaged P(k) and Q(k).
 - ◆ $U(\%r)$, $I(\%r)$, $P(\%r)$, $U(\%f)$, $I(\%f)$ and $P(\%f)$ are calculated via operation of the averaged $U(k)$, $I(k)$ and $P(k)$. (k indicates the harmonic times.)



NOTE

When the averaging function is enabled, the average of a number of measurements are calculated and displayed. Therefore, in case of drastic changes of the input signal, the measured value will slowly affect these changes.

For both the attenuation constant of index averaging and the number of averaged values of linear averaging, the larger the set value is, the more stable the measured value is.

The following measurement functions will not be affected by averaging.

Conventional measurement functions: fU, fI, Ipk+, Ipk-, Upk+, Upk-, Time, WP, WP+, WP-, q+, q-, q and Fsyn.

Harmonic measurement functions: $\varphi(k)$, $\varphi_{UU}(k)$ and $\varphi_{II}(k)$ (k indicates the harmonic times).

Chapter4 Basic Measurement Functions

This chapter describes the features and use of the basic measurement functions of the IT9120 series power meter in details.

4.1 Basic Concepts

The IT9120 series power meter has rich basic power measurement functions and can be used for accurately measuring the voltage, current, power, AC/DC signal, power factor, harmonics, frequency, distortion factor and other parameters. The reliable data can provide a scientific basis for analysis of the power quality and performance of equipment.

Introduction of soft keys on the interface



Menu soft key	Instruction
U-RANGE	Set the voltage range.
I-RANGE	Set the current range.
RUN/HOLD	Running/holding
RESET	Reset soft key When this key is pressed, the instrument can immediately carry out measurement again.
VIEW 1	View (1): displaying 1 large value and 6 small values.
VIEW 4	View (4): displaying 4 large value and 6 small values.
VIEW 12	View (2): displaying 12 large values.
MAXHOLD (OFF/ON)	Maximum value holding (OFF/ON): the maximum value (MAX) of data can be held.
CONFIG	Basic measurement configuration

Measured parameters

Parameters	Parameter descriptions	Parameters	Parameter descriptions
P	Active power [W]	Imn	Average rectified value after the current is calibrated to the effective value
Q	Reactive power [var]	Idc	Average current
S	Apparent power [VA]	lpk+	Positive current peak value [A]
PF	Power factor	lpk-	Negative current peak value [A]

Parameters	Parameter descriptions	Parameters	Parameter descriptions
φ	Phase difference of voltage and current	lpp	Current peak-to-peak value [A]
Fsyn	Synchronization source frequency	lcf	Current crest factor
Irms	Current effective value [VA]	fl	Current frequency (Hz)
Iac	AC current component	lrush	Inrush current
Irmn	Average rectified current [A]	Urms	Voltage effective value [VA]
Umn	Average rectified value after the voltage is calibrated to the effective value	Urmn	Average rectified value of voltage [V]
Udc	Average voltage [V]	Uac	AC voltage component
Upk+	Positive voltage peak value [V]	Upk-	Negative voltage peak value [V]
Upp	Voltage peak-to-peak value [V]	Ucf	Voltage crest factor
fU	Voltage frequency (Hz)		

4.2 Setting of Measurement Function and Interface Display

The power meter has three interface display styles for measurement of basic parameters. At most five pages are displayed in each style. When one or more important measurement parameter(s) should be highlighted, the View1 or View4 mode can be freely enabled to design the humane display style. When you need to view all parameters at the same time in one interface, the View12 mode can be enabled.

Take power measurement as an example. The interface can display four parameters in the large font form: effective voltage, effective current, active power and power factor. Operating procedures are as below:

Operation steps

1. In the “Meter” interface when the soft key corresponding to “VIEW 4” is pressed, 10 measurement parameters can be displayed in total, 4 of which are displayed in an amplified manner. Other measurement parameters can be viewed by pressing ◀ ▶ key to turn pages, as shown in the figure below.



2. When the soft key corresponding to “CONFIG” is pressed, the measurement function can be selected and the interface display

information can be set.



3. When the soft key corresponding to “FUNC” is pressed, the measurement function can be selected. For example, when the “FUNC” key is pressed once, the displayed measurement function will be switched once in the W/I/V sequence. Different measurement parameters are displayed when different functions are selected. As power measurement is taken as an example in this operation, P is selected.
 - P (power): P, Q, S, PF, ϕ and Fsyn
 - I (current): Irms, Imn, Irmn, Idc, Iac, Ipk+, Ipk-, Ipp, Icf, fl and Irush
 - U (voltage): Urms, Umn, Urmn, Udc, Uac, Upk+, Upk-, Upp, Ucf and fU
4. Press the “▲ ▼” key and move the cursor to select the parameter displayed in the interface (blue font background). Press the right soft key corresponding to the parameter to adjust the parameter displayed at present. P, Q, S and PF are set in sequence.



NOTE

When the soft key corresponding to the parameter is pressed once, the parameter will be selected in sequence.

5. You can also press the “INSERT PAGE” to add a display page. At most five pages are allowable. Press the “DELETE PAGE” to delete the display page. At least one page should be left.


Chapter5 Waveform Display Function

This chapter describes the features and use of the waveform display function of the IT9120 series power meter in details.

5.1 Basic Concepts

The IT9120 series power meter has a waveform display function based on sampling data. The voltage and current waveform of the input unit can be displayed or hidden. Only the necessary waveform is displayed to facilitate observation. The waveform display interface includes the vertical axis and the horizontal axis.

Introduction of soft keys on the interface

When the  button is pressed, the initial waveform display interface below appears.

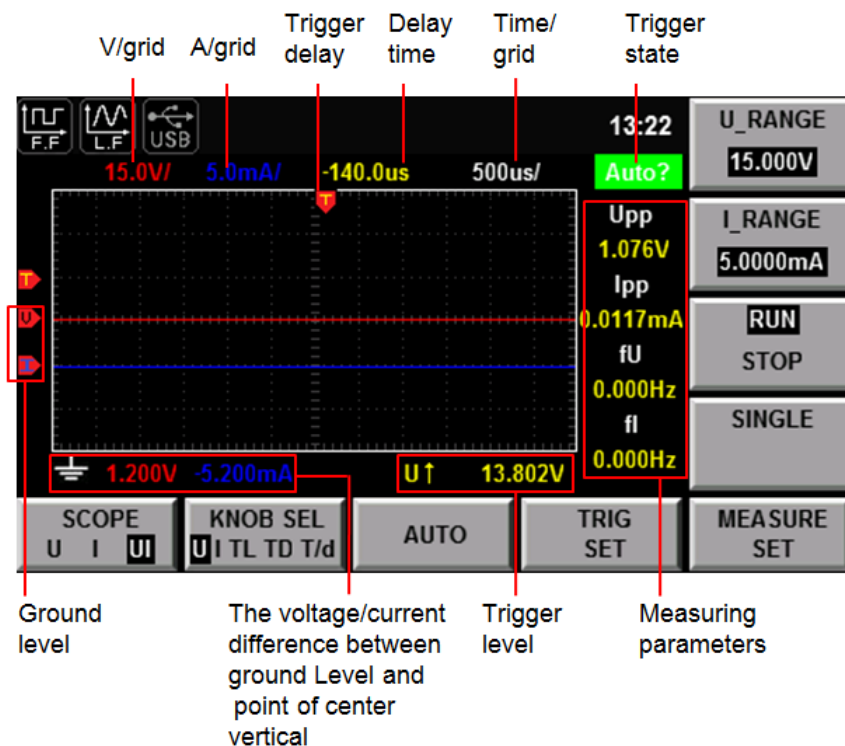


Description of information of waveform display interface:

Parameter name	Parameter descriptions
U_RANGE	Voltage range setting: press the soft key corresponding to this parameter to set the voltage range.
I_RANGE	Current range setting: press the soft key corresponding to this parameter to set the current range.
RUN/STOP	Run/stop: press the soft key corresponding to this parameter to run or stop the waveform status.
SINGLE	Single measurement key: when single measurement is performed under stop conditions, the stop status will be enabled again after one measurement according to the current data updating rate. When single measurement is performed under running conditions, one measurement will be performed immediately by the instrument and then the stop status will be enabled.
SCOPE(U//UI)	Select the waveform to be displayed on the screen: voltage/current/voltage and current.

Parameter name	Parameter descriptions
KNOB SEL (U/I/TL/TD/Td)	Knob selection: the following variables can be adjusted by rotating the knob: vertical voltage position/vertical current position/trigger level/trigger delay/level calibration.
AUTO	Automatic adjustment key: when the soft key corresponding to this parameter is pressed, the power meter will automatically calibrate the input signal to display the best effect of the input signal.
TRIG SET	Trigger setting
MEASURE SET	Measurement setting

Introduction of waveform display interface



The trigger status is described as follows:

Trigger status	Instruction
Auto	When the trigger mode is set as Auto, the trigger status Auto will be displayed after triggering.
Auto?	When the trigger mode is set as Auto, the trigger status will be Auto in the case of no triggering?
Trig	When the trigger mode is set as Normal, the trigger status Trig will be displayed after triggering.
Trig?	When the trigger mode is set as Normal, the trigger status will be Trig in the case of no triggering?
Stop	When the "Stop" soft key in the waveform display interface is pressed, the trigger status Stop will be displayed.

Vertical calibration


When the crest factor CF is 3, the selected voltage range and current range will

be subject to vertical calibration (voltage/grid, current/grid). When CF is 6, the selected voltage range and current range will be subject to two-time vertical calibration (voltage/grid, current/grid).

Horizontal calibration

When the “KNOB SEL” soft key is pressed and “T/d” is selected, horizontal calibration (scanning speed) adjusted by rotating the knob. In this case, time/grid information changes can be observed on the screen by rotating the knob and changing the horizontal (time/grid) setting. When acquisition is run, the sampling rate can be changed by adjusting the horizontal calibration knob. When acquisition is stopped, sampling data can be amplified by adjusting the horizontal calibration knob.

Trigger delay

When the **KNOB SEL** soft key is pressed and “TD” is selected, the trigger delay can be adjusted by rotating the knob. In this case, when the knob is rotated, the trigger point will move horizontally and the delay time will be displayed on the screen. When the delay time is changed, the trigger point () will move horizontally, and the distance between the trigger point and the horizontal center will be indicated. The trigger point is displayed along the top of the display grid.

Trigger waveform

When the specified trigger conditions are satisfied, the trigger waveform will be displayed, and the triggering time point is called trigger point. The trigger point is generally displayed in the left of the display screen. Following the trigger point, the waveform is displayed on the display screen from left to right over time. Before using the trigger function, the user needs to configure the following parameters:

- Trigger mode

The trigger mode refers to conditions for updating the contents displayed on the screen. Including the Auto model and Normal mode Auto mode: the displayed waveform is updated in case of triggering in the pause time and automatically updated in case of no triggering in the pause time. Normal mode: the displayed content is updated in case of triggering and not updated in case of no triggering.

- Trigger source

The trigger source is used for generating triggering conditions. The user can select the trigger source from the input signal of the input unit and the external clock signal.

- Trigger slope

The slope refers to signal changes from low level to high level (rising edge) or from high level to low level (descending edge). When used as a triggering condition, the slope is called trigger slope.

- Trigger level


Level of trigger slope: triggering occurs when the level of the signal of the trigger source reaches the set trigger level under the specified trigger slope conditions. When the “KNOB SEL” soft key is pressed and “TL” is selected, the trigger level can be adjusted by rotating the knob. In this case, the trigger level can be changed by rotating the knob, and changes in the

trigger level can be observed on the screen.

5.2 Adjustment of Measurement Parameters

You can rotate the knob to adjust the vertical calibration, horizontal calibration, trigger delay and trigger level of the waveform display interface. Detailed steps are as follows:


Operation steps

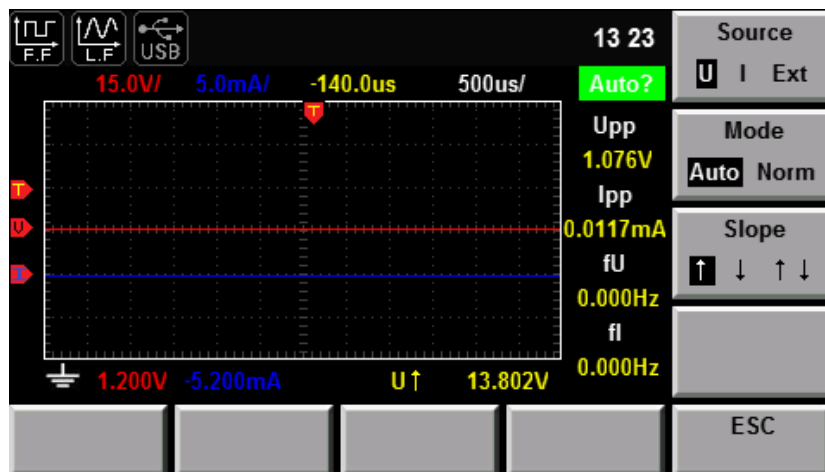
1. Press “” to enter the waveform display interface.
2. In the waveform display interface Press the soft key corresponding to the “KNOB SEL” parameter and select the parameter to be adjusted. When “KNOB SEL” is pressed once, the parameter to be adjusted via the knob will be switched in sequence among U/I/TL/TD/Td.
3. When the parameter is adjusted by rotating the knob, the interface will display changes of the corresponding value.

5.3 Setting of Trigger Configuration

When you need to enable the trigger function, you should select the trigger source, trigger mode, trigger slope and other trigger-related configuration. Detailed steps are as follows:

Operation steps

1. Press “” to enter the waveform display interface.
2. In the waveform display interface Press the soft key corresponding to the “TIRG SET” parameter to enter the trigger setting interface, as shown below.



3. Press the right soft key corresponding to the parameter to select the required trigger configuration.
 - Source: trigger source
 - Mode: trigger mode
 - Slope: trigger slope

External trigger input (Ext)

When the trigger source is set as Ext, input the trigger signal into the external signal input interface (Synchronous) of the rear panel according to the following specifications.

Projects	Specification
Interface type	BNC interface
Input level	TTL
Minimum pulse width	1 μ s
Trigger delay time	Within (1 μ s + 3 sampling cycles)



NOTE

When the voltage higher than 0-3.3V is applied on the external signal input interface (Synchronous), the instrument may be damaged.

Minimum pulse width: refers to the width of the high or low trigger level, at least 1 μ s.

Trigger delay time: refers to the delay between the appearance of the trigger level and the response of CPU, within (1 μ s + 3 sampling cycles).

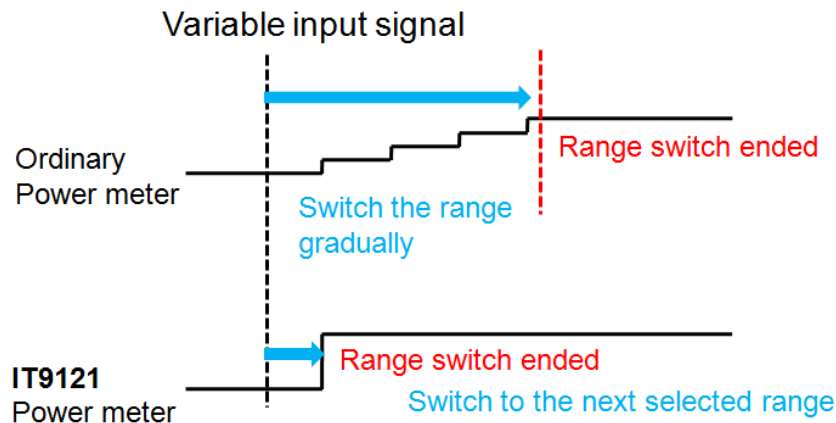
Chapter6 Integral Operation Function

This chapter describes the features and use of the integral function of the IT9120 series power meter in details.

6.1 Basic Concepts

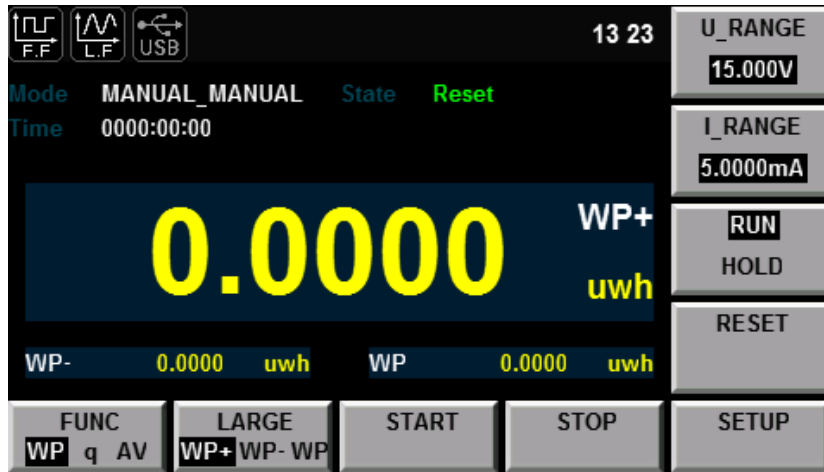
The IT9120 series power meter can be used for integral operation of the current and power of the input unit. Technical indicators can be calculated. In addition, the range can be switched automatically in the Buy and Sell modes according to the input level so as to accurately complete integrate measurement.

During operation of the air-conditioner, refrigerator, induction cook and other household appliances, the working status will change frequently, resulting in changes of the working current in a large scale. The current may decrease of dozens of amperes to a few milliamperes. Ordinary power measuring instruments can only be used for integral measurement within one range. If the measured value exceeds the current maximum range, the measurement result is inaccurate. You need to manually switch the range before integral measurement. Integral measurement of equipment subject to large current changes cannot be performed continuously. The IT9120 series power meter can automatically switch the range in the integral mode. Therefore, errors of integral measurement caused by manual range switching can be eliminated, and the power consumption of household appliances can be measured more accurately. See the schematic diagram below.



Introduction of soft keys on the interface

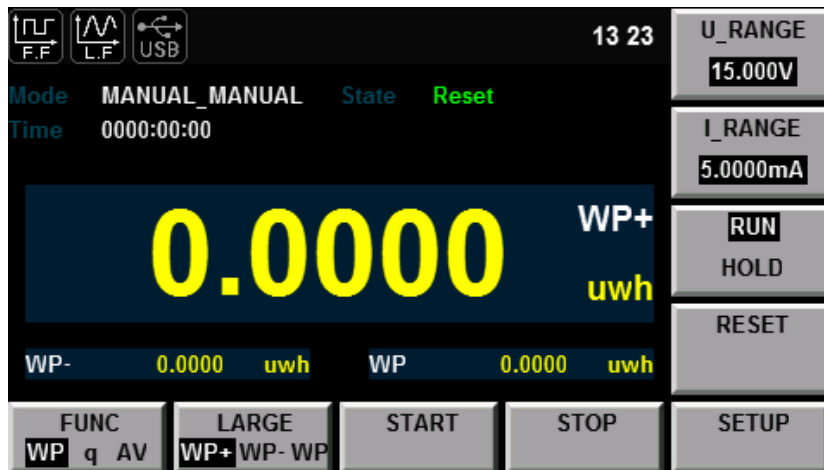
When the "Integ" button is pressed, the initial integral measurement interface below will appear.



Description of information of integral measurement interface:

Parameter name	Parameter descriptions
U_RANGE	Voltage range setting: press the soft key corresponding to this parameter to set the voltage range.
I_RANGE	Current range setting: press the soft key corresponding to this parameter to set the current range.
RUN/HOLD	Run/hold: press the soft key corresponding to this parameter to run or hold the integral function.
RESET	Reset.
FUNC(WP/q/AV)	Selection of the integral function: active power integral (WP), current integral (q) and average active power integral (AV).
LARGE(WP/WP+/WP-, q/q+/q-, WPAV)	Selection of the item to be displayed in a amplified manner: WP (watt hour, the sum of positive and minus watt hours), WP+ (the consumption of positive watt hours), WP- (the negative watt hours of feedback power), q (ampere hour, the sum of positive and negative ampere hours), q+ (the consumption of positive ampere hours), q- (the negative ampere hours of feedback power) and WPAV (average active powerintegral).
START	Integral Start key In the manual start mode, the integral function can be enabled by pressing the soft key corresponding to this parameter.
STOP	Integral Stop key In the manual stop mode, the integral function can be disabled by pressing the soft key corresponding to this parameter.
SETUP	Set relevant parameters of integral measurement.

Integral measurement display information



Description of measurement information:

Character	Function description
Mode	Display the integral start and stop mode. Start mode: MANUAL and TIME Stop mode: MANUAL, TIME and TInterval.
State	Display the current status of the integral function. Start: displayed when the integral function is working. Stop: displayed when the integral function is interrupted, canceled or stopped. Ready: displayed in the ready state of the real-time start mode. Time Up: displayed when it reaches the specified time of the integral timer. Reset: displayed when the integral value and integral time are reset via integral resetting. Error: when the power supply is recovered, the integral function is stopped and the integral result before power failure is displayed. This integral state is called Error state.
Time	Display the integral time.
St	Display the set integral time.
Et	Display the set integral ending time.
Timer	Display the fixed integral time.

Integral operation

- Active power integral

In watt hour, displayed as WP (watt hours, the sum of positive and negative watt hours), WP+ (the consumption of positive watt hours) and WP- (the negative watt hours of feedback power).

- Current integral

In q, displayed as q (ampere hours, the sum of positive and negative ampere hours), q+ (the consumption of positive ampere hours) and q- (the negative ampere hours of feedback power)

- Average active power integral

In watt, displayed as WPAV (average active power integral)

- Integration time

Displayed as Time, in the format of hhhh:mm:ss.

Specification

- Save in case of power failure

The integral result can be kept in the memory even in case of power failure during operation of the integral function. When the power supply is recovered and the integral function is disabled, the integral result before power failure is displayed. When the power supply is recovered and the integral is rest, the integral function is enabled again.

- Display resolution

The maximum display resolution of the integral value is 99999. When the integral value reaches 100000, the decimal point will move automatically. For example, when 0.01mwh is added to 999.99mwh, 1.0000wh will be displayed.

- Display in case of overflow

When the integral value meets the following overflow conditions, the integral function will be disabled, and the integral time and integral value at this point will be kept.

- ◆ The integral time reaches the maximum value (10000 hours).
- ◆ The integral values of WP, q and WPAV reach the maximum/minimum display integral values.
- Maximum/minimum display integral value
 - ◆ Active power integral (WP): ± 99999 Mwh
 - ◆ Current integral (q): ± 99999 MAh
 - ◆ Average power integral (WPAV): ± 99999 Mw
- Restricted implementation

Settings of the following functions cannot be changed during integral operation.

Function	Integration status		
	Integral resetting	Current integral status	Integral interruption
Functions related to settings of measurement parameters			
Wiring	Executable	Unenforceable	Unenforceable
Measurement range	Executable	Unenforceable	Unenforceable
Filter	Executable	Unenforceable	Unenforceable
Averaging function	Executable	Unenforceable	Unenforceable
Synchronization	Executable	Unenforceable	Unenforceable
Data updating rate	Executable	Unenforceable	Unenforceable
Integral function parameter setting			
Integral mode	Executable	Unenforceable	Unenforceable
Integral timer	Executable	Unenforceable	Unenforceable
Integral operation			
Integral start	Executable	Unenforceable	Executable
Integral stop	Unenforceable	Executable	Unenforceable
Integral resetting	Executable	Unenforceable	Executable
Other operations			
Save operation	Executable	Executable	Executable
Hold operation	Executable	Executable	Executable
Single measurement operation	Executable	Executable	Executable



NOTE

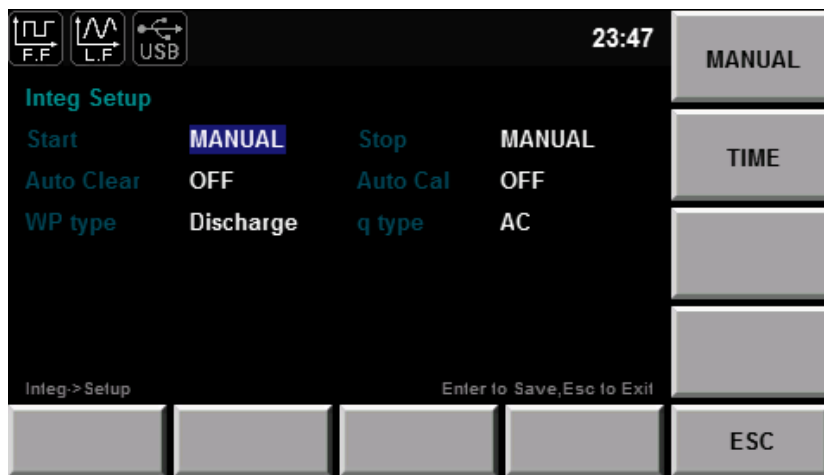
In addition to the above items, other settings (such as self-testing and date/time setting) or operations with influence on the integral cannot be executed; otherwise, errors may be caused.

6.2 Setting of Integral Measurement Configuration

You can set the start mode, stop mode, automatic zero setting, automatic calibration, watt-hour integration, current integration and other parameters of integral measurement. Specific steps are as follows:

Operation steps

1. Press “Integ” to enter the integral measurement interface.
2. Press the soft key corresponding to the “SETUP” parameter in the integral measurement interface to enter the integral parameter configuration interface. Press the “▲▼” key to select the required parameter, as shown in the figure below.



Parameter descriptions:

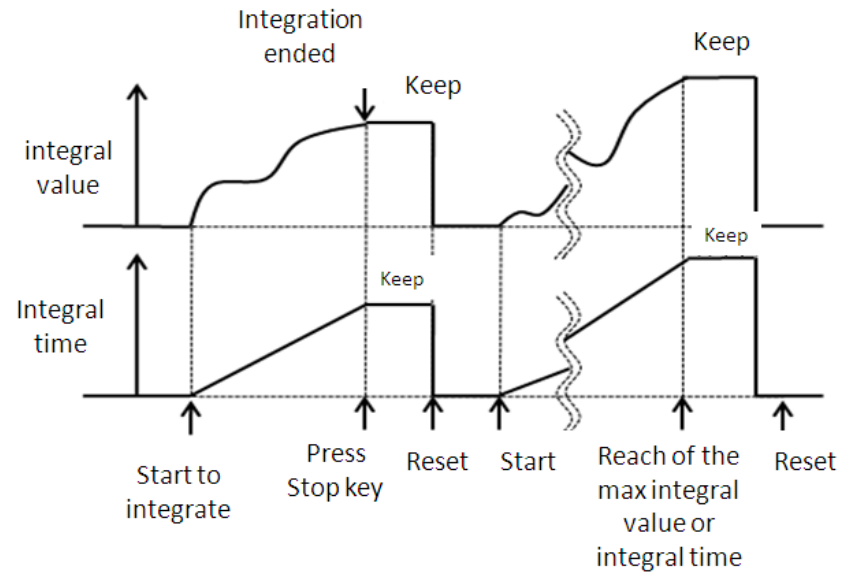
Start: set in the MANUAL mode or TIME mode via the right soft key.

- MANUAL: press the “START” soft key in the integral measurement interface in the manual start mode to trigger the manual start of the integral function.
- TIME: the date on which the integral mode is started can be set in the real-time start mode. Integration will be started on the set date. When the time/date combination is set in the real-time start mode, integration will not be started before the current time and date. Integration will be started when the screen is updated once at least before the start time.

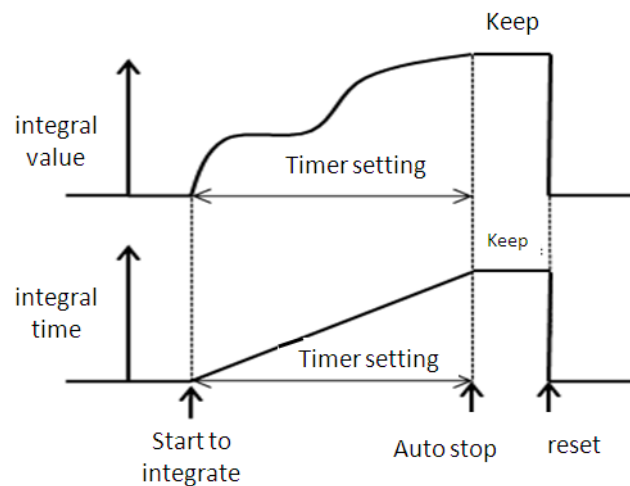
Stop: set in the MANUAL mode, TIME mode and TINTerval mode via the right soft key.

- MANUAL: press the “STOP” soft key in the integral measurement interface in the manual stop mode to manually stop integration. When the integration time reaches the maximum integration time (10,000 hours) or the integral value reaches the maximum/minimum display value, integration will be

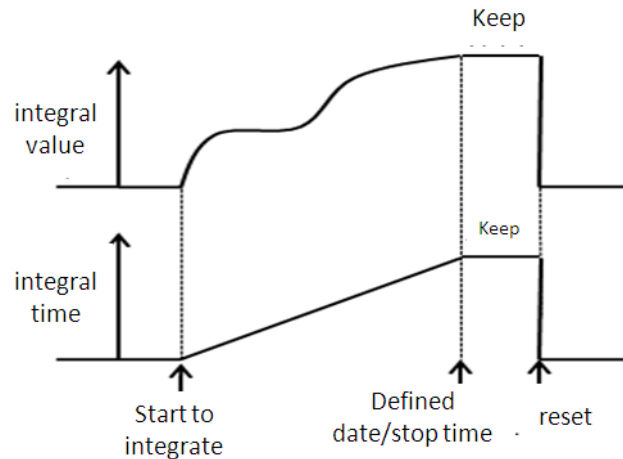
stopped, and the current integral time and integral value will be kept.



- **TIME:** The date for stop of the integral mode can be set in the real-time stop mode. Integration will be stopped on the set date. When it reaches the set time or the integral value reaches the maximum/minimum display integral value, integration will be stopped, and the current integral time and integral value will be kept.



- **TINterval:** the integral measurement time can be set in the set-time stop mode. When it reaches the set ending date and time or the integral value reaches the maximum/minimum display integral value, integration will be stopped, and the current integral time and integral value will be kept.



Auto Clear: used for enabling (ON) or disabling (OFF) the function of automatic zero clearing of the integral. On: integration is restarted when the START key is pressed to start integration. OFF: integration is restarted based on the integral value at the end of previous integration when the START key is pressed to start integration.

Auto Cal: used for enabling (ON) or disabling (OFF) the function of automatic integral calibration. When automatic integral calibration is enabled, zero setting is implemented. In this case, the power and current measured just now are subject to integration.

WP type: used for selecting the integral mode for positive and negative watt hours. There are four integral modes:

- Charge/Discharge: used for measuring the DC positive and negative watt hours (integration of sampling data).
- Sold/Bought: used for measuring the AC positive and negative watt hours (value integration in each data updating cycle).

q type: used for selecting the current integration mode. Options of the current integration mode are as follows:

- rms: Effective value;
- mn: Calibration to the average rectified value of the effective value.
- dc: Simple averaging;
- rmn: Average rectified value;
- ac: AC component

6.3 Integration

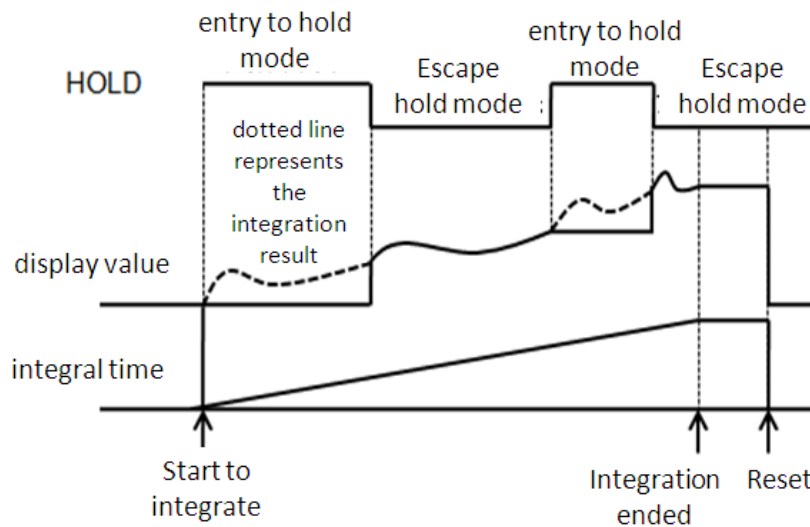
When the integral measurement function is enabled, you can keep the current integral information and carry out the following operations: exit, start and stop. Specific steps are as follows:

Operation steps

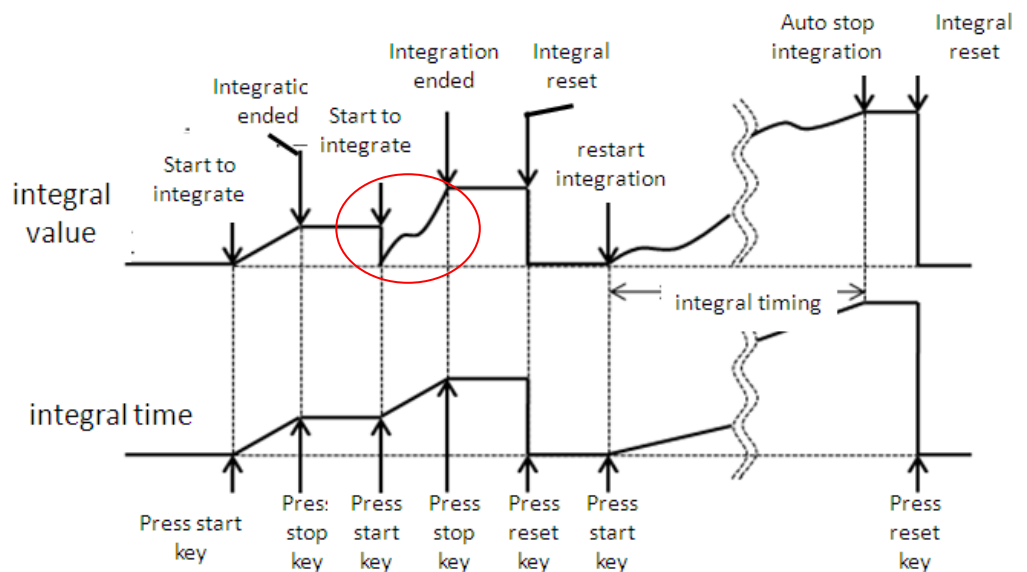
1. Press “Integ” to enter the integral display interface.
2. In the integral measurement display interface Press the soft key corresponding to the “START” parameter to start or recover integral operation. The Start status and integral operation value are displayed in the

interface.

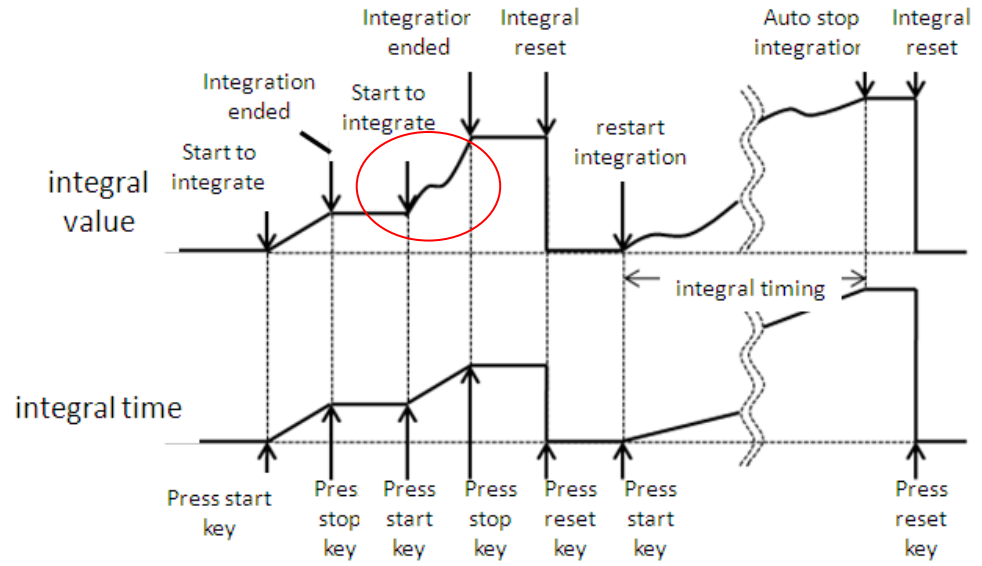
3. When you need to keep the current integral status and integral result, you can press the soft key corresponding to the “RUN HOLD” parameter. Then the current status of the integral result display and communication output will be kept no matter whether integral operation is running.
4. When you need to continue to implement integral operation, double-press the soft key corresponding to the “RUN HOLD” parameter to exit the HOLD status. The power meter will display the integral result after exiting the HOLD status. The schematic diagram of display of the HOLD/RUN integral result is shown below.



5. When you need to suspend integral operation, press the soft key corresponding to the “Stop” parameter to suspend integral operation.
 6. Press the soft key corresponding to the “RESET” parameter to reset the integral value and integral time. The relationship diagram of start, suspension and resetting of the integral operation status is shown below.
- Auto Clear: when ON is selected.



- Auto Clear: when OFF is selected.



Chapter7 Harmonic Measurement Function

This chapter describes the features and use of the harmonic measurement function of the IT9120 series power meter in details.

7.1 Basic Concepts

With the 100KHZ bandwidth, the IT9120 series power meter can realize harmonic measurement of high speed and wide dynamic range. The voltage, current, active power, reactive power and phase of harmonics and total harmonic distortion (THD) factor can be tested in the harmonic mode. In addition, the IT9120 series power meter can be used for multiple harmonic measurements, 50-order harmonics of the fundamental frequency at most.


The IT9120 series power meter displays harmonic parameters in the list or bar chart form so as to provide clear analysis of test results.



NOTE

IT9121E do not support harmonic measurement function.

Introduction of soft keys on the interface

Select the “” button, and the initial harmonic measurement interface below will appear.



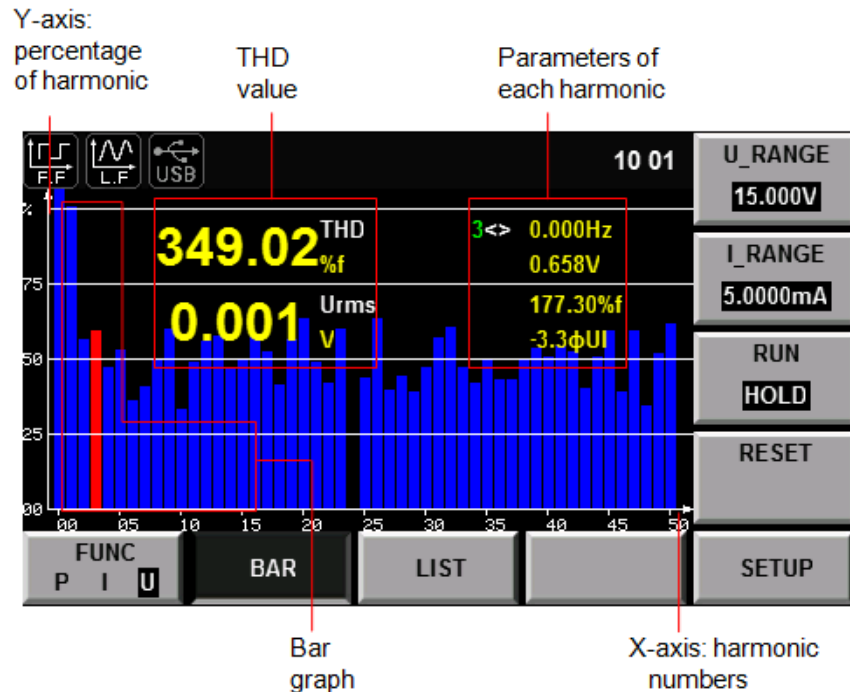
Description of information of harmonic measurement interface:

Parameter name	Parameter descriptions
U_RANGE	Voltage range setting: press the soft key corresponding to this parameter to set the voltage range.
I_RANGE	Current range setting: press the soft key corresponding to this parameter to set the current range.
RUN/HOLD	RUN/HOLD: press the soft key corresponding to this parameter to run/hold the harmonic status.
RESET	Reset.
FUNC(P/I/U)	Function options (power/current/voltage)
BAR	Displayed in the bar chart form
LIST	Displayed in the list form
SETUP	Parameter setting.

Introduction of harmonic information

- Description of harmonic bar chart interface

When the “BAR” button is selected in the harmonic measurement interface, the bar chart of harmonic measurement results will be displayed. The bar chart is used for displaying the percentage of different harmonics. Harmonics can be displayed in the whole sequence, odd sequence and even sequence. The following is the whole-sequence harmonic bar chart.



Description of interface information:

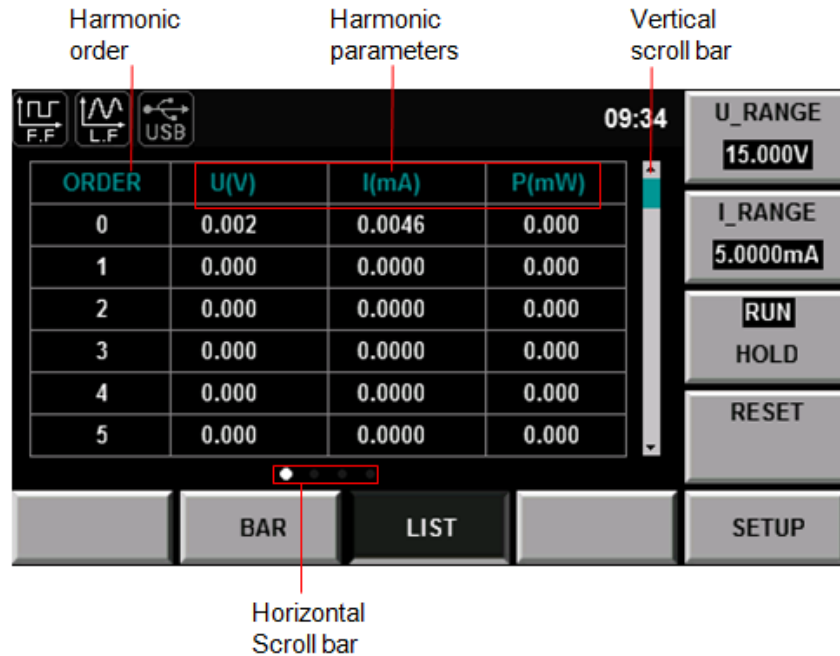
Total harmonic parameter: including the total harmonic distortion (THD) factor and total harmonic content. When different measurement functions are selected, different harmonic parameters will be displayed. When the soft key corresponding to the “FUNC” parameter is pressed, different measurement functions can be selected. W/I/U can be selected as the measurement function in sequence when this key is pressed once. Parameter meanings of different functions are as follows:

- ◆ Power (P): total harmonic distortion rate of power and total harmonic power
- ◆ Current (I): total harmonic distortion rate of current and total harmonic current
- ◆ Voltage (U): total harmonic distortion rate of voltage and total harmonic voltage

Single-order harmonic parameters: displaying the frequency, harmonic content, harmonic distortion factor and phase of single-order harmonics. The user can rotate the knob to select the single-order harmonics to be displayed. The selected harmonics are displayed in red in the bar chart form.

- Description of harmonic list interface

When the “LIST” button is selected in the harmonic measurement interface, the list of harmonic measurement results will be displayed. This list is used for showing the voltage, current, active power, reactive power, phase and total harmonic distortion (THD) factor of different harmonics. Harmonic lists can be displayed in the whole sequence, odd sequence and even sequence. Below is a whole-sequence harmonic list.



Harmonic content: this list is used for showing all harmonic contents of single-order harmonics, including the voltage, current and power. You can view other harmonic parameters by operating the Left/Right key to turn pages. In this case, the line scroll bar and current page are shown in bright white circles. Measurement parameters are described in the following table:

Abbreviations	Instruction	Abbreviations	Instruction
U(V)	Voltage	$\varphi_{UI}(\circ)$	Phase difference of k-order harmonic voltage and harmonic current
I(mA)	Current	$\varphi_{UU}(\circ)$	Phase difference of harmonic voltage U(k) and fundamental wave U(1)
P(W)	Active power	$\varphi_{II}(\circ)$	Phase difference of harmonic current I(k) and fundamental wavel(1)
S(VA)	Apparent power	U(%r)/ U(%f)	Harmonic distortion factor of voltage
Q(var)	Reactive power	I(%r)/ I(%f)	Harmonic distortion factor of current
PF()	Power factor	P(%r)/P(%f)	Harmonic distortion factor of active power




Harmonic order list: this LIST can show the data of one-order to 50-order harmonic signals. These data can be displayed in the whole sequence, odd sequence and even sequence. The rows which are not displayed, i.e. single-order harmonic data which are not displayed, can be presented by operating the Up/Down key. In this case, the row scroll bar and current

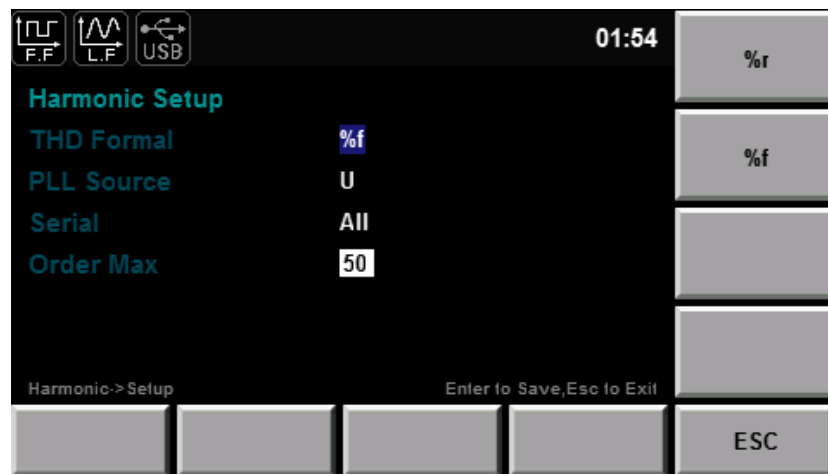
page in displayed in bright blue bars.

7.2 Setting of Harmonic Measurement Configuration

You can set the distortion factor calculation formula, PLL source, harmonic sequence and harmonic analysis times of harmonic measurement. Specific steps are as follows:

Operation steps

1. Press “” to enter the harmonic measurement interface.
2. Press the soft key corresponding to the “SETUP” parameter in the harmonic measurement display interface to enter the harmonic parameter configuration interface. Press the “ ” key to select the required parameter, as shown in the figure below.



Parameter descriptions:

Parameters	Instruction
THD Formal	Distortion factor calculation formula. % r: displaying harmonics in the form of percentage to the overall current (voltage, power) amplitude of all harmonics. % f: displaying harmonics in the form of percentage to the fundamental wave current (voltage, power).
PLL Source	Select the PLL (Phase Locked Loop) source: U/I/OFF. Used for determining the fundamental wave cycle as the reference for analysis of harmonic orders.
Serial	Harmonic sequence: whole sequence/odd sequence/even sequences
Order Max	Set the harmonic analysis orders (1-50). You can specify the harmonic measurement range. These specified analysis orders are used for calculating the value of the distortion factor.

Distortion factor calculation formula:

The following two formulas can be selected for calculation of the distortion factor.

- %r: using all harmonic measurement data from the minimum harmonic order (0) to the maximum harmonic order (within the upper limit of analysis

orders) as the denominator.

- %f: using the data of fundamental wave (1-order) components as the denominator.

The distortion factor calculation formulas and methods of different measurement functions are as follows:

Measurement function	Calculation formula and method	
	%r	%f
Harmonic distortion factor of voltage	$\frac{U(k)}{U(Total)}$	$\frac{U(k)}{U(1)}$
Harmonic distortion factor of current	$\frac{I(k)}{I(Total)}$	$\frac{I(k)}{I(1)}$
Harmonic distortion factor of active power	$\frac{P(k)}{P(Total)}$	$\frac{P(k)}{P(1)}$
Total harmonic distortion rate of voltage	$\frac{\sqrt{\sum_{k=2}^{\max} U(k)^2}}{U(Total)}$	$\frac{\sqrt{\sum_{k=2}^{\max} U(k)^2}}{U(1)}$
Total harmonic distortion rate of current	$\frac{\sqrt{\sum_{k=2}^{\max} I(k)^2}}{I(Total)}$	$\frac{\sqrt{\sum_{k=2}^{\max} I(k)^2}}{I(1)}$
Total harmonic distortion rate of active power	$\frac{\sum_{k=2}^{\max} P(k)}{P(Total)}$	$\frac{\sum_{k=2}^{\max} P(k)}{P(1)}$



NOTE

Total harmonics are calculated as follows: $U(Total) = \sqrt{\sum_{k=0}^{\max} U(k)^2}$, $I(Total) = \sqrt{\sum_{k=0}^{\max} I(k)^2}$,

$P(Total) = \sum_{k=0}^{\max} P(k)$. k indicates the harmonic order, and max indicates the upper limit of

analysis orders. max is determined by the frequency of PLL source automatically, 50 orders at most.

PLL source

In the harmonic mode, IT9120 series adopts PLL to multiply the frequency of the input signal. The frequency multiplication output signal is used as the A/D sampling clock in the instrument so as to achieve the purpose of synchronous sampling. Therefore, the frequency of the signal of the PLL source can determine the A/D sampling clock in the instrument. However, the quality of the signal of the PLL source may affect the stability and accuracy of sampling data.

- PLL source selection

The voltage or current of the input unit can be selected as the PLL source. Used for determining the fundamental wave cycle as the reference for analysis of harmonic orders. The fundamental wave frequency of the PLL source is 10Hz to 1.2kHz.

- Considerations for selection of PLL source

Please select the signal with the same cycle as that of the harmonic measurement object signal. In order to stably measure harmonics, select the input signal with little distortion as the PLL source. If the fundamental wave

frequency of the PLL source changes or the fundamental wave frequency cannot be measured as a result of waveform distortion, accurate measurement results may not be obtained. When the test object is a switch type power supply and the voltage signal is subject to less distortion than the current signal, it is recommended to use the voltage as the PLL source.

- Signal level of PLL source

If the amplitude level of the signal input into the unit as the PLL source is small relative to the range, synchronization with PLL will fail. If the crest factor is set as 3, the amplitude level of the PLL source should exceed 50% of the range at least during setting of the range. If the crest factor is set as 6, the amplitude level of the PLL source should exceed 100 % of the range at least during setting of the range.



NOTE

When the fundamental wave frequency is no more than 200Hz, the frequency filter must be turned on.

When the fundamental wave frequency is lower than 440Hz and contains high-frequency components, it is recommended to turn on the frequency filter. This filter only applies to the frequency measurement circuit.

If the frequency of the PLL source changes, the correct measured value will be displayed after data are updated several times. The frequency of the PLL source needs to be tested again via the PLL circuit in the instrument in case of changes of the PLL source or its frequency, the correct measured value cannot be obtained at once.

Harmonic analysis order

The harmonic analysis order k is an integer number ranging from 0 to the upper limit of analysis orders. Zero indicates the DC component. The upper limit of analysis orders is automatically determined by the frequency of the PLL source. The upper limit of harmonic analysis orders can be determined automatically or set manually. Take the smaller value. 50 orders at most The relationship between the upper limit of harmonic analysis orders and the fundamental wave frequency of the PLL source is shown in the table below.

Fundamental wave frequency of PLL source	Sampling rate	Window width	Upper limit of analysis orders *
10Hz ~ 76Hz	$f \cdot 1024$	1	50
76 Hz ~ 152 Hz	$f \cdot 512$	2	32
152 Hz ~ 305 Hz	$f \cdot 256$	4	16
305 Hz ~ 610 Hz	$f \cdot 128$	8	8
610 Hz ~ 1500 Hz	$f \cdot 64$	16	4
* The upper limit of analysis orders can be reduced.			



NOTE

If the analysis window determined by the fundamental wave frequency of the PLL source is longer than the data updating cycle, no harmonic data will be detected. In this case, the data updating cycle should be reduced. For example, when the fundamental wave frequency of the PLL source is 10Hz (cycle: 100ms), the analysis window is one-wave long, and the data measurement interval is 100ms. In this case, the harmonic measurement time is approximately more than or equal to 150ms (data measurement interval and data processing time). Therefore, please select the data updating rate of 250ms or more for measurement and display of harmonic data.

Chapter8 Routine Maintenance

This chapter describes general maintenance items and maintenance methods of the IT9120 series power meter.

8.1 Self-inspection

The IT9120 series power meter has a self-inspection function. See [2.4.1 Power-on Self-Test](#) for detailed steps of self-inspection.

8.2 Error Information References

The IT9120 series power meter has a detailed error and prompt information function, so as to help the user to easily carry out positioning and measurement during measurement and use.

This section describes all error information of the IT9120 series power meter as well as error causes and disposals. All prompt information is listed.

Prompt Message List

Prompt information	Explanation of prompt information
Cal Zero is working!	The instrument is calibrating the zero point.
Cal Zero is completed!	The instrument has completed zero point calibration.
Test screen	Self-inspection of LCD screen
Test dsp	Self-inspection of DSP.
Test beep	Self-inspection of the buzzer.
SelfTest is finished!	The instrument has finished the self-test.
Softkey is not available	The current soft key is not available.
Time set ok!	The time setting is completed.
Meter Initialization	Initialization of general measurement
Integ Initialization	Initialization of integral function
Scope Initialization	Initialization of the oscilloscope function
Harmonic Initialization	Initialization of the harmonic function
Inrush Initialization	Initialization of the inrush function
Setup Initialization	Initialization of setup
System Initialization	Initialization of the system
Initialization is finished!	Initialization is finished.
Integ start	Integration is started.
Integ stop	Integration is stopped.
Integ time up	The integral time is up.
Max page has been reached.	It displays The maximum page has been reached.
One page should exist at least	One page should exist at least.
Not used in current state	The current operation is not available.
Please reset first	Please reset first.

Error information list

Error information	Error information explanation
-------------------	-------------------------------

usb is not detected	[Error description] No USB peripheral is found. [Possible cause] No USB peripheral is inserted. [Disposal] Insert the U disc type USB peripheral and then copy the screen.
Save screen fail	[Error description] The screen is not saved successfully. [Possible cause] USB is disconnected. [Disposal] Reinsert the USB peripheral.
Start time is less than current	[Error description] The start time is less than the current time. [Possible cause] The integral setting is incorrect. [Disposal] Reset the integral start time.
End time is less than current	[Error description] The ending time is less than the current time. [Possible cause] The integral setting is incorrect. [Disposal] Reset the integral ending time.
Timer must be larger than zero.	[Error description] The set time must be larger than zero. [Possible cause] The set integral time is not correct. [Disposal] Reset the set integral time.
Harmonic open fail	[Error description] The harmonic function cannot be enabled. [Possible cause] Communication abnormality [Disposal] Check the communication cable.
Integ open fail	[Error description] The integral function cannot be enabled. [Possible cause] Communication abnormality [Disposal] Check the communication cable.
Integ start fail	[Error description] The integral function cannot be started. [Possible cause] Communication abnormality [Disposal] Check the communication cable.
Integ stop fail	[Error description] The integral function cannot be stopped. [Possible cause] Communication abnormality [Disposal] Check the communication cable.
Scope openfail	[Error description] The oscilloscope function cannot be enabled. [Possible cause] Communication abnormality [Disposal] Check the communication cable.
Time set fail	[Error description] Time setting fails. [Possible cause] Time setting is illegal. [Disposal] Reset the system time.
Cal zero fail	[Error description] Zero calibration fails. [Possible cause] Communication abnormality [Disposal] Check the communication cable.

8.3 Daily maintenance

Introduce basic maintenance in daily use of equipment. Such as cleaning, self-maintenance allowed to be performed by the user, etc.

Equipment cleaning

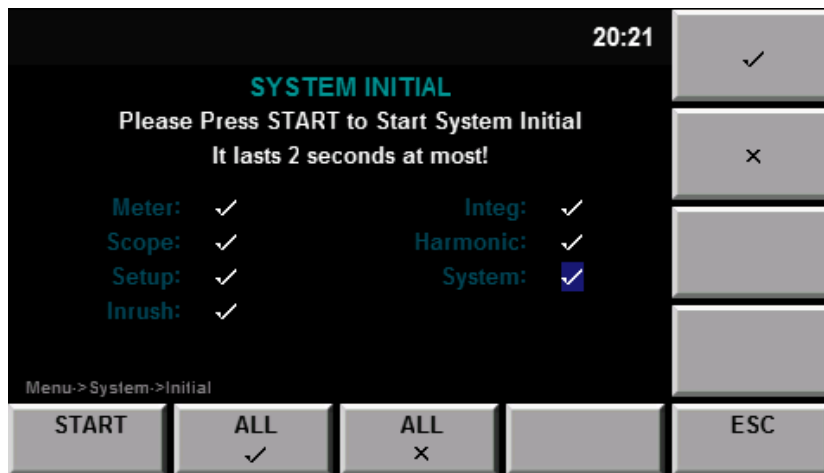
Use dry cloth or slightly wet cloth to gently wipe the equipment. Do not arbitrarily wipe the inside of the instrument. Cut off the power supply before



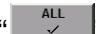
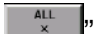
cleaning.

Initialize

When this operation is implemented, the system settings are recovered to the factory default values.

1. Select “SYSTEM > INITIAL” in the “Menu” interface to enter the system initialization interface. See the following figure.



2. Select the menu items to be initialized (blue symbol background) via   key. Menu items with characters ✓ following should be initialized; × indicates that the items will not be initialized.
3. Press the soft key corresponding to the symbol on the right of the interface to determine whether to initialize this menu item. Or use the soft key “” (for initialization of all menu items) or “” (no initialization for all menu items) in the lower part of the interface.
4. Press the “START” soft key to initialize system settings. Press the ESC to exit.

8.4 Contact of ITECH Engineers

This section describes operations to be carried out by the user in case of failure of the instrument.

Preparation before contact

When the instrument fails, you should make the following preparations before returning the instrument to ITECH for repair or contacting engineers.

1. Check all the items listed in the “Self-inspection of Equipment Faults” and confirm whether there are still some problems.
2. If there are still some problems, carefully read the contents of warranty services and warranty restrictions in the preface of the manual. Confirm that our instrument complies with warranty service conditions.
3. If you want to send the instrument to the manufacturer for repair, refer to instructions in [8.5 Returning Your Power Meter for Service](#).

Self-inspection of equipment faults

In case of failure of the instrument, self-inspect the following items. If the

instrument failure can be eliminated via simple inspection, the maintenance cost and time can be saved. Please check the following items before contacting the engineer of ITECH.

- Check whether the power meter is powered up.
- Check whether the power meter is started normally.
- Check whether the instrument fuse is in good conditions.
- Check whether other connectors are in good conditions and whether cables, plugs and other parts are connected properly.
- Check whether the system configuration of the instrument is correct during use.
- Check whether self-inspection of the instrument is successful and whether the specifications and performance are within the indicator ranges.
- Check whether the instrument displays error information.
- Use other instruments instead of this instrument for confirmation.

Collect the SN number.

ITECH will constantly improve the product performance, availability and reliability. The service personnel of ITECH will record changes of each instrument. All relevant information are marked uniquely according to the serial number of each instrument. The equipment returned for repair must adopt the SN number as the tracking ID.

When you contact the engineer, the effective SN number of the instrument will be the effective guarantee for effective service and complete information. You can obtain the SN number of the instrument by the following ways:

1. Press the **Menu** key to enter the system setting page of the power meter.
2. Press the **SYSTEM** to enter "SYSTEM INFO" interface to view the product model, product SN, software version number and other information.

8.5 Returning Your Power for Service

When you want to return your power to ITECH company, please read the following information.

Package the power supply for Shipment

When instruments are required for factory maintenance, please refer to the following steps to pack the instruments which need to send out.

1. Please put the instrument for maintenance in the original packaging materials, with the related accessories.
2. Please be as specified as possible about the nature problem. Send a copy of any or all of the following information:
 - Any error messages that appeared on the power supply display.
 - Any information on the performance of the power supply.

CAUTION

- Power damage can result from using packaging materials other than those specified. Please use the special packing when shipment, and shall be carried out in accordance with the delivery of packaging standard as far as possible.
- Never use styrene pellets in any shape as packaging materials. They do not adequately cushion the power supply or prevent it from shifting in the carton. Styrene pellets cause power damage by generating static electricity and by lodging in the rear panel.

-
-
3. Please pay attention to read the document preface about warranty service delivery cost in the relevant specification with the delivery.

Chapter9 Technical Specifications

9.1 IT9121 Specifications

9.1.1 General Specification

AC input voltage	100VAC—240VAC 47-63HZ
Operating Environment	Temperature: 5°C ~ 40°C
	Humidity: 30 ~ 75% (non-condensation)
Installation	Indoors
Maximum power consumption	50VA
Measurement wires	Single-phase, two-wire(1P2W)
Environmental requirements for the instrument calibration	Refer to the calibration report.
Period of validity of calibration	Six month
Maximum rated input voltage	600VRMS, 1000VPEAK
Maximum rated input current	20ARMS, 30APEAK
Input impedance	Voltage: Approx 2MR, Current: Approx 0.5R(small range)0.018R(large range), EX1: Approx 100K, EX2: Approx 20K
Maximum rated voltage to ground	600VRMS, 47-63HZ
Valid input range	1%-110% of the range
Weight	2.6kg
Dimension	255mmW×107.7mmH×387.3mmD

9.1.2 Voltage Accuracy

Item	Specification	
Requirements	Humidity	30 ~ 75%RH
	Input waveform	Sine wave, common-mode voltage: 0V
	Frequency filter	Turn on to measure voltage or current of 200Hz
	30 minutes after warm-up time has passed.	

Resolution

Range	Resolution
15V	1mV
30V	1mV
60V	1mV
150V	10mV
300V	10mV
600V	10mV

When the crest factor is 3

Range	CF=3
-------	------

15V, 30V, 60V, 150V, 300V, 600V	Frequency (HZ)	Accuracy(The following accuracy is the sum of the reading error and the range error)	Calibration Zero	When the line filter is turned ON	Temp.coefficient (23±5°C)ppm	Temp.coefficient (5-18°C/28-40°C)ppm
	0(DC)	±(0.1% rdg.+ 0.2% F.S.)	YES	/	200	300
	10-45	±(0.1% rdg.+ 0.2% F.S.)	YES	+0.5%rdg.	200	300
	45-66	±(0.1% rdg.+ 0.1% F.S.)	YES	+0.2%rdg.	200	300
	66-1K	±(0.1% rdg.+ 0.2% F.S.)	YES	+0.5%rdg (66~200Hz)	200	300
	1K-10K	±(0.7% rdg.+ 0.3% F.S.)	YES	/	200	300
10K-100K	±(5% rdg.+ 0.5% F.S.)	YES	/	200	300	

When the crest factor is 6

Range	CF=6					
7.5V, 15V, 30V, 75V, 150V, 300V	Frequency (HZ)	Accuracy(The following accuracy is the sum of the reading error and the range error)	Calibration Zero	When the line filter is turned ON	Temp.coefficient (23±5°C)ppm	Temp.coefficient (5-18°C/28-40°C)ppm
	0(DC)	±(0.2% rdg.+ 0.4% F.S.)	YES	/	400	600
	10-45	±(0.2% rdg.+ 0.4% F.S.)	YES	+1% rdg.	400	600
	45-66	±(0.2% rdg.+ 0.2% F.S.)	YES	+0.4%rdg.	400	600
	66-1K	±(0.2% rdg.+ 0.4% F.S.)	YES	+1%rdg (66~200Hz)	400	600
	1K-10K	±(1.4% rdg.+ 0.6% F.S.)	YES	/	400	600
10K-100K	±(10% rdg.+ 1% F.S.)	YES	/	400	600	

9.1.3 Current Accuracy

Item	Specification	
Requirements	Humidity	30 ~ 75%RH
	Input waveform	Sine wave, common-mode voltage: 0V
	Frequency filter	Turn on to measure voltage or current of 200Hz
	30 minutes after warm-up time has passed.	

Resolution

Range	Resolution
5mA	0.0001mA
10mA	0.001mA
20mA	0.001mA
50mA	0.001mA
100mA	0.01mA
200mA	0.01mA
500mA	0.01mA
1A	0.1 mA
2A	0.1 mA
5A	0.1 mA
10A	1 mA
20A	1 mA

When the crest factor is 3

Range	CF=3					
5mA	Frequency (HZ)	Accuracy(The following accuracy is the sum of the reading error and the range error)	Calibration Zero	When the line filter is turned ON	Temp.coefficient (23±5°C)ppm	Temp.coefficient (5-18°C/28-40°C)ppm
5mA	0(DC)	±(0.1% rdg.+ 0.2% F.S.)	YES	/	1000	1500
	10-45	±(0.1% rdg.+ 0.2% F.S.)	YES	+ 0.5% rdg.	1000	1500
	45-66	±(0.1% rdg.+ 0.1% F.S.)	YES	+ 0.2% rdg.	1000	1500
	66-1K	±(0.1% rdg.+ 0.2% F.S.)	YES	+ 0.5% rdg (66~200Hz)	1000	1500
	1K-10K	±(0.7% rdg.+ 0.3% F.S.)	YES	/	1000	1500
	10K-100K	±(5% rdg.+ 0.5% F.S.)	YES	/	1000	1500
	10mA	0(DC)	±(0.1% rdg.+ 0.2% F.S.)	YES	/	500
10-45		±(0.1% rdg.+ 0.2% F.S.)	YES	+0.5% rdg.	500	800
45-66		±(0.1% rdg.+ 0.1% F.S.)	YES	+0.2% rdg.	500	800
66-1K		±(0.1% rdg.+ 0.2% F.S.)	YES	+0.5% rdg (66~200Hz)	500	800
1K-10K		±(0.7% rdg.+ 0.3% F.S.)	YES	/	500	800
10K-100K		±(5% rdg.+ 0.5% F.S.)	YES	/	500	800
20mA		0(DC)	±(0.1% rdg.+ 0.2% F.S.)	YES	/	250
	10-45	±(0.1% rdg.+ 0.2% F.S.)	YES	+ 0.5% rdg.	250	400
	45-66	±(0.1% rdg.+ 0.1% F.S.)	YES	+ 0.2% rdg.	250	400
	66-1K	±(0.1% rdg.+ 0.2% F.S.)	YES	+0.5%rdg (66~200Hz)	250	400
	1K-10K	±(0.7% rdg.+ 0.3% F.S.)	YES	/	250	400
	10K-100K	±(5% rdg.+ 0.5% F.S.)	YES	/	250	400
	50mA	0(DC)	±(0.1% rdg.+ 0.2% F.S.)	YES	/	100
10-45		±(0.1% rdg.+ 0.2% F.S.)	YES	+ 0.5% rdg.	100	150
45-66		±(0.1% rdg.+ 0.1% F.S.)	YES	+ 0.2% rdg.	100	150
66-1K		±(0.1% rdg.+ 0.2% F.S.)	YES	+ 0.5% rdg (66~200Hz)	100	150
1K-10K		±(0.7% rdg.+ 0.3% F.S.)	YES	/	100	150
10K-100K		±(5% rdg.+ 0.5% F.S.)	YES	/	100	150
100mA		0(DC)	±(0.1% rdg.+ 0.2% F.S.)	YES	/	50
	10-45	±(0.1% rdg.+ 0.2% F.S.)	YES	+ 0.5% rdg.	50	75
	45-66	±(0.1% rdg.+ 0.1% F.S.)	YES	+ 0.2% rdg.	50	75
	66-1K	±(0.1% rdg.+ 0.2% F.S.)	YES	+0.5%rdg (66~200Hz)	50	75
	1K-10K	±(0.7% rdg.+ 0.3% F.S.)	YES	/	50	75
	10K-100K	±(5% rdg.+ 0.5% F.S.)	YES	/	50	75
	200mA	0(DC)	±(0.1% rdg.+ 0.2% F.S.)	YES	/	35
10-45		±(0.1% rdg.+ 0.2% F.S.)	YES	+ 0.5% rdg.	35	45
45-66		±(0.1% rdg.+ 0.1% F.S.)	YES	+ 0.2% rdg.	35	45
66-1K		±(0.1% rdg.+ 0.2% F.S.)	YES	+ 0.5% rdg (66~200Hz)	35	45
1K-10K		±(0.7% rdg.+ 0.3% F.S.)	YES	/	35	45
10K-100K		±(5% rdg.+ 0.5% F.S.)	YES	/	35	45

500mA	0(DC)	$\pm(0.1\% \text{ rdg.} + 0.2\% \text{ F.S.})$	YES	/	1000	1500
	10-45	$\pm(0.1\% \text{ rdg.} + 0.2\% \text{ F.S.})$	YES	+ 0.5% rdg.	1000	1500
	45-66	$\pm(0.1\% \text{ rdg.} + 0.1\% \text{ F.S.})$	YES	+ 0.2% rdg.	1000	1500
	66-1K	$\pm(0.1\% \text{ rdg.} + 0.2\% \text{ F.S.})$	YES	+ 0.5% rdg (66~200Hz)	1000	1500
	1K-10K	$\pm(0.7\% \text{ rdg.} + 0.3\% \text{ F.S.})$	YES	/	1000	1500
	10K-10 0K	$\pm(5\% \text{ rdg.} + 0.5\% \text{ F.S.})$	YES	/	1000	1500
1A	0(DC)	$\pm(0.1\% \text{ rdg.} + 0.2\% \text{ F.S.})$	YES	/	500	800
	10-45	$\pm(0.1\% \text{ rdg.} + 0.2\% \text{ F.S.})$	YES	+ 0.5% rdg.	500	800
	45-66	$\pm(0.1\% \text{ rdg.} + 0.1\% \text{ F.S.})$	YES	+ 0.2% rdg.	500	800
	66-1K	$\pm(0.1\% \text{ rdg.} + 0.2\% \text{ F.S.})$	YES	+ 0.5% rdg (66~200Hz)	500	800
	1K-10K	$\pm(0.7\% \text{ rdg.} + 0.3\% \text{ F.S.})$	YES	/	500	800
	10K-10 0K	$\pm(5\% \text{ rdg.} + 0.5\% \text{ F.S.})$	YES	/	500	800
2A	0(DC)	$\pm(0.1\% \text{ rdg.} + 0.2\% \text{ F.S.})$	YES	/	250	400
	10-45	$\pm(0.1\% \text{ rdg.} + 0.2\% \text{ F.S.})$	YES	+ 0.5% rdg.	250	400
	45-66	$\pm(0.1\% \text{ rdg.} + 0.1\% \text{ F.S.})$	YES	+ 0.2% rdg.	250	400
	66-1K	$\pm(0.1\% \text{ rdg.} + 0.2\% \text{ F.S.})$	YES	+ 0.5% rdg (66~200Hz)	250	400
	1K-10K	$\pm(0.7\% \text{ rdg.} + 0.3\% \text{ F.S.})$	YES	/	250	400
	10K-10 0K	$\pm(5\% \text{ rdg.} + 0.5\% \text{ F.S.})$	YES	/	250	400
5A	0(DC)	$\pm(0.1\% \text{ rdg.} + 0.2\% \text{ F.S.})$	YES	/	100	150
	10-45	$\pm(0.1\% \text{ rdg.} + 0.2\% \text{ F.S.})$	YES	+ 0.5% rdg.	100	150
	45-66	$\pm(0.1\% \text{ rdg.} + 0.1\% \text{ F.S.})$	YES	+ 0.2% rdg.	100	150
	66-1K	$\pm(0.1\% \text{ rdg.} + 0.2\% \text{ F.S.})$	YES	+ 0.5% rdg (66~200Hz)	100	150
	1K-10K	$\pm(0.7\% \text{ rdg.} + 0.3\% \text{ F.S.})$	YES	/	100	150
	10K-10 0K	$\pm(5\% \text{ rdg.} + 0.5\% \text{ F.S.})$	YES	/	100	150
10A	0(DC)	$\pm(0.1\% \text{ rdg.} + 0.2\% \text{ F.S.})$	YES	/	60	80
	10-45	$\pm(0.1\% \text{ rdg.} + 0.2\% \text{ F.S.})$	YES	+ 0.5% rdg.	60	80
	45-66	$\pm(0.1\% \text{ rdg.} + 0.1\% \text{ F.S.})$	YES	+ 0.2% rdg.	60	80
	66-1K	$\pm(0.1\% \text{ rdg.} + 0.2\% \text{ F.S.})$	YES	+ 0.5% rdg (66~200Hz)	60	80
	1K-10K	$\pm(0.7\% \text{ rdg.} + 0.3\% \text{ F.S.})$	YES	/	60	80
	10K-10 0K	$\pm(5\% \text{ rdg.} + 0.5\% \text{ F.S.})$	YES	/	60	80
20A	0(DC)	$\pm(0.1\% \text{ rdg.} + 0.2\% \text{ F.S.})$	YES	/	35	45
	10-45	$\pm(0.1\% \text{ rdg.} + 0.2\% \text{ F.S.})$	YES	+ 0.5% rdg.	35	45
	45-66	$\pm(0.1\% \text{ rdg.} + 0.1\% \text{ F.S.})$	YES	+ 0.2% rdg.	35	45
	66-1K	$\pm(0.1\% \text{ rdg.} + 0.2\% \text{ F.S.})$	YES	+ 0.5% rdg (66~200Hz)	35	45
	1K-10K	$\pm(0.7\% \text{ rdg.} + 0.3\% \text{ F.S.})$	YES	/	35	45
	10K-10 0K	$\pm(5\% \text{ rdg.} + 0.5\% \text{ F.S.})$	YES	/	35	45

When the crest factor is 6

Range	CF=6					
2.5mA	Frequency (HZ)	Accuracy(The following accuracy is the sum of the reading error and the range error)	Calibration Zero	When the line filter is turned ON	Temp.coefficient (23±5°C)ppm	Temp.coefficient (5-18°C/28-40°C)ppm
2.5mA	0(DC)	±(0.2% rdg.+ 0.4% F.S.)	YES	/	2000	3000
	10-45	±(0.2% rdg.+ 0.4% F.S.)	YES	+ 1% rdg.	2000	3000
	45-66	±(0.2% rdg.+ 0.2% F.S.)	YES	+ 0.4% rdg.	2000	3000
	66-1K	±(0.2% rdg.+ 0.4% F.S.)	YES	+1% rdg (66~200Hz)	2000	3000
	1K-10K	±(1.4% rdg.+ 0.6% F.S.)	YES	/	2000	3000
	10K-100K	±(10% rdg.+ 1% F.S.)	YES	/	2000	3000
	5mA	0(DC)	±(0.2% rdg.+ 0.4% F.S.)	YES	/	1000
10-45		±(0.2% rdg.+ 0.4% F.S.)	YES	+ 1% rdg.	1000	1500
45-66		±(0.2% rdg.+ 0.2% F.S.)	YES	+ 0.4% rdg.	1000	1500
66-1K		±(0.2% rdg.+ 0.4% F.S.)	YES	+ 1% rdg (66~200Hz)	1000	1500
1K-10K		±(1.4% rdg.+ 0.6% F.S.)	YES	/	1000	1500
10K-100K		±(10% rdg.+ 1% F.S.)	YES	/	1000	1500
10mA		0(DC)	±(0.2% rdg.+ 0.4% F.S.)	YES	/	500
	10-45	±(0.2% rdg.+ 0.4% F.S.)	YES	+1%rdg.	500	800
	45-66	±(0.2% rdg.+ 0.2% F.S.)	YES	+0.4%rdg.	500	800
	66-1K	±(0.2% rdg.+ 0.4% F.S.)	YES	+1%rdg (66~200Hz)	500	800
	1K-10K	±(1.4% rdg.+ 0.6% F.S.)	YES	/	500	800
	10K-100K	±(10% rdg.+ 1% F.S.)	YES	/	500	800
	25mA	0(DC)	±(0.2% rdg.+ 0.4% F.S.)	YES	/	200
10-45		±(0.2% rdg.+ 0.4% F.S.)	YES	+ 1% rdg.	200	300
45-66		±(0.2% rdg.+ 0.2% F.S.)	YES	+ 0.4% rdg.	200	300
66-1K		±(0.2% rdg.+ 0.4% F.S.)	YES	+ 1% rdg (66~200Hz)	200	300
1K-10K		±(1.4% rdg.+ 0.6% F.S.)	YES	/	200	300
10K-100K		±(10% rdg.+ 1% F.S.)	YES	/	200	300
50mA		0(DC)	±(0.2% rdg.+ 0.4% F.S.)	YES	/	100
	10-45	±(0.2% rdg.+ 0.4% F.S.)	YES	+ 1% rdg.	100	150
	45-66	±(0.2% rdg.+ 0.2% F.S.)	YES	+ 0.4% rdg.	100	150
	66-1K	±(0.2% rdg.+ 0.4% F.S.)	YES	+ 1% rdg (66~200Hz)	100	150
	1K-10K	±(1.4% rdg.+ 0.6% F.S.)	YES	/	100	150
	10K-100K	±(10% rdg.+ 1% F.S.)	YES	/	100	150
	100mA	0(DC)	±(0.2% rdg.+ 0.4% F.S.)	YES	/	70
10-45		±(0.2% rdg.+ 0.4% F.S.)	YES	+ 1% rdg.	70	90
45-66		±(0.2% rdg.+ 0.2% F.S.)	YES	+ 0.4% rdg.	70	90
66-1K		±(0.2% rdg.+ 0.4% F.S.)	YES	+ 1% rdg (66~200Hz)	70	90
1K-10K		±(1.4% rdg.+ 0.6% F.S.)	YES	/	70	90
10K-100K		±(10% rdg.+ 1% F.S.)	YES	/	70	90

	10K-10 OK	$\pm(10\% \text{ rdg.} + 1\% \text{ F.S.})$	YES	/	70	90
250mA	0(DC)	$\pm(0.2\% \text{ rdg.} + 0.4\% \text{ F.S.})$	YES	/	2000	3000
	10-45	$\pm(0.2\% \text{ rdg.} + 0.4\% \text{ F.S.})$	YES	+ 1% rdg.	2000	3000
	45-66	$\pm(0.2\% \text{ rdg.} + 0.2\% \text{ F.S.})$	YES	+ 0.4% rdg.	2000	3000
	66-1K	$\pm(0.2\% \text{ rdg.} + 0.4\% \text{ F.S.})$	YES	+ 1% rdg (66~200Hz)	2000	3000
	1K-10K	$\pm(1.4\% \text{ rdg.} + 0.6\% \text{ F.S.})$	YES	/	2000	3000
	10K-10 OK	$\pm(10\% \text{ rdg.} + 1\% \text{ F.S.})$	YES	/	2000	3000
0.5A	0(DC)	$\pm(0.2\% \text{ rdg.} + 0.4\% \text{ F.S.})$	YES	/	1000	1500
	10-45	$\pm(0.2\% \text{ rdg.} + 0.4\% \text{ F.S.})$	YES	+ 1% rdg.	1000	1500
	45-66	$\pm(0.2\% \text{ rdg.} + 0.2\% \text{ F.S.})$	YES	+ 0.4% rdg.	1000	1500
	66-1K	$\pm(0.2\% \text{ rdg.} + 0.4\% \text{ F.S.})$	YES	+ 1% rdg (66~200Hz)	1000	1500
	1K-10K	$\pm(1.4\% \text{ rdg.} + 0.6\% \text{ F.S.})$	YES	/	1000	1500
	10K-10 OK	$\pm(10\% \text{ rdg.} + 1\% \text{ F.S.})$	YES	/	1000	1500
1A	0(DC)	$\pm(0.2\% \text{ rdg.} + 0.4\% \text{ F.S.})$	YES	/	500	800
	10-45	$\pm(0.2\% \text{ rdg.} + 0.4\% \text{ F.S.})$	YES	+ 1% rdg.	500	800
	45-66	$\pm(0.2\% \text{ rdg.} + 0.2\% \text{ F.S.})$	YES	+ 0.4% rdg.	500	800
	66-1K	$\pm(0.2\% \text{ rdg.} + 0.4\% \text{ F.S.})$	YES	+ 1% rdg (66~200Hz)	500	800
	1K-10K	$\pm(1.4\% \text{ rdg.} + 0.6\% \text{ F.S.})$	YES	/	500	800
	10K-10 OK	$\pm(10\% \text{ rdg.} + 1\% \text{ F.S.})$	YES	/	500	800
2.5A	0(DC)	$\pm(0.2\% \text{ rdg.} + 0.4\% \text{ F.S.})$	YES	/	200	300
	10-45	$\pm(0.2\% \text{ rdg.} + 0.4\% \text{ F.S.})$	YES	+ 1% rdg.	200	300
	45-66	$\pm(0.2\% \text{ rdg.} + 0.2\% \text{ F.S.})$	YES	+ 0.4% rdg.	200	300
	66-1K	$\pm(0.2\% \text{ rdg.} + 0.4\% \text{ F.S.})$	YES	+ 1% rdg (66~200Hz)	200	300
	1K-10K	$\pm(1.4\% \text{ rdg.} + 0.6\% \text{ F.S.})$	YES	/	200	300
	10K-10 OK	$\pm(10\% \text{ rdg.} + 1\% \text{ F.S.})$	YES	/	200	300
5A	0(DC)	$\pm(0.2\% \text{ rdg.} + 0.4\% \text{ F.S.})$	YES	/	120	160
	10-45	$\pm(0.2\% \text{ rdg.} + 0.4\% \text{ F.S.})$	YES	+ 1% rdg.	120	160
	45-66	$\pm(0.2\% \text{ rdg.} + 0.2\% \text{ F.S.})$	YES	+ 0.4% rdg.	120	160
	66-1K	$\pm(0.2\% \text{ rdg.} + 0.4\% \text{ F.S.})$	YES	+ 1% rdg (66~200Hz)	120	160
	1K-10K	$\pm(1.4\% \text{ rdg.} + 0.6\% \text{ F.S.})$	YES	/	120	160
	10K-10 OK	$\pm(10\% \text{ rdg.} + 1\% \text{ F.S.})$	YES	/	120	160
10A	0(DC)	$\pm(0.2\% \text{ rdg.} + 0.4\% \text{ F.S.})$	YES	/	70	90
	10-45	$\pm(0.2\% \text{ rdg.} + 0.4\% \text{ F.S.})$	YES	+ 1% rdg.	70	90
	45-66	$\pm(0.2\% \text{ rdg.} + 0.2\% \text{ F.S.})$	YES	+ 0.4% rdg.	70	90
	66-1K	$\pm(0.2\% \text{ rdg.} + 0.4\% \text{ F.S.})$	YES	+ 1% rdg (66~200Hz)	70	90
	1K-10K	$\pm(1.4\% \text{ rdg.} + 0.6\% \text{ F.S.})$	YES	/	70	90
	10K-10 OK	$\pm(10\% \text{ rdg.} + 1\% \text{ F.S.})$	YES	/	70	90

9.1.4 External current sensor 1 Accuracy

Item	Specification	
Requirements	Humidity	30 ~ 75%RH
	Input waveform	Sine wave, common-mode voltage: 0V
	Frequency filter	Turn on to measure voltage or current of 200Hz
	30 minutes after warm-up time has passed.	

When the crest factor is 3

Range	CF=3					
2.5V	Frequency (HZ)	Accuracy(The following accuracy is the sum of the reading error and the range error)	Calibration Zero	When the line filter is turned ON	Temp.coefficient (23±5°C)ppm	Temp.coefficient (5-18°C/28-40°C)ppm
	0(DC)	±(3% F.S.)	YES	/	400	600
	10-45	±(3% F.S.)	YES	+ 0.5% rdg.	400	600
	45-66	±(3% F.S.)	YES	+ 0.2% rdg.	400	600
	66-1K	±(3% F.S.)	YES	+ 0.5% rdg (66~200Hz)	400	600
	1K-10K	±(0.7% rdg.+ 3% F.S.)	YES	/	400	600
10K-100K	±(5% rdg.+ 3% F.S.)	YES	/	400	600	
5V	0(DC)	±(2% F.S.)	YES	/	200	300
	10-45	±(2% F.S.)	YES	+ 0.5% rdg.	200	300
	45-66	±(2% F.S.)	YES	+ 0.2% rdg.	200	300
	66-1K	±(2% F.S.)	YES	+ 0.5% rdg (66~200Hz)	200	300
	1K-10K	±(0.7% rdg.+ 2% F.S.)	YES	/	200	300
	10K-100K	±(5% rdg.+ 2% F.S.)	YES	/	200	300
10V	0(DC)	±(1.5% F.S.)	YES	/	100	150
	10-45	±(1.5% F.S.)	YES	+ 0.5% rdg.	100	150
	45-66	±(1.5% F.S.)	YES	+ 0.2% rdg.	100	150
	66-1K	±(1.5% F.S.)	YES	+ 0.5% rdg (66~200Hz)	100	150
	1K-10K	±(0.7% rdg.+ 1.5% F.S.)	YES	/	100	150
	10K-100K	±(5% rdg.+ 1.5% F.S.)	YES	/	100	150

When the crest factor is 6

Range	CF=6					
2.5V	Frequency (HZ)	Accuracy(The following accuracy is the sum of the reading error and the range error)	Calibration Zero	When the line filter is turned ON	Temp.coefficient (23±5°C)ppm	Temp.coefficient (5-18°C/28-40°C)ppm
	0(DC)	±(6% F.S.)	YES	/	800	1200
	10-45	±(6% F.S.)	YES	+ 1% rdg.	800	1200
	45-66	±(6% F.S.)	YES	+ 0.4% rdg.	800	1200
	66-1K	±(6% F.S.)	YES	+ 1% rdg (66~200Hz)	800	1200
	1K-10K	±(1.4% rdg.+ 6% F.S.)	YES	/	800	1200
10K-100K	±(10% rdg.+ 6% F.S.)	YES	/	800	1200	

5V	0(DC)	±(4% F.S.)	YES	/	400	600
	10-45	±(4% F.S.)	YES	+ 1% rdg.	400	600
	45-66	±(4% F.S.)	YES	+ 0.4% rdg.	400	600
	66-1K	±(4% F.S.)	YES	+ 1% rdg (66~200Hz)	400	600
	1K-10K	±(1.4% rdg.+4% F.S.)	YES	/	400	600
	10K-100 K	±(10% rdg.+ 4% F.S.)	YES	/	400	600
10V	0(DC)	±(3% F.S.)	YES	/	200	300
	10-45	±(3% F.S.)	YES	+ 1% rdg.	200	300
	45-66	±(3% F.S.)	YES	+ 0.4% rdg.	200	300
	66-1K	±(3% F.S.)	YES	+ 1% rdg (66~200Hz)	200	300
	1K-10K	±(1.4% rdg.+ 3% F.S.)	YES	/	200	300
	10K-100 K	±(10% rdg.+ 3% F.S.)	YES	/	200	300

9.1.5 External current sensor 2 Accuracy

Item	Specification	
Requirements	Humidity	30 ~ 75%RH
	Input waveform	Sine wave, common-mode voltage: 0V
	Frequency filter	Turn on to measure voltage or current of 200Hz
	30 minutes after warm-up time has passed.	

When the crest factor is 3

Range	CF=3					
50mV	Frequency (Hz)	Accuracy(The following accuracy is the sum of the reading error and the range error)	Calibration Zero	When the line filter is turned ON	Temp.coefficient (23±5°C)ppm	Temp.coefficient (5-18°C/28-40°C)ppm
	0(DC)	±(3% F.S.)	YES	/	1000	1500
	10-45	±(3% F.S.)	YES	+ 0.5% rdg.	1000	1500
	45-66	±(3% F.S.)	YES	+ 0.2% rdg.	1000	1500
	66-1K	±(3% F.S.)	YES	+0.5%rdg (66~200Hz)	1000	1500
	1K-10K	±(0.7% rdg.+ 3% F.S.)	YES	/	1000	1500
10K-100 K	±(5% rdg.+ 3% F.S.)	YES	/	1000	1500	
100mV	0(DC)	±(2% F.S.)	YES	/	500	800
	10-45	±(2% F.S.)	YES	+ 0.5% rdg.	500	800
	45-66	±(2% F.S.)	YES	+ 0.2% rdg.	500	800
	66-1K	±(2% F.S.)	YES	+0.5%rdg (66~200Hz)	500	800
	1K-10K	±(0.7% rdg.+ 2% F.S.)	YES	/	500	800
	10K-10 0K	±(5% rdg.+ 2% F.S.)	YES	/	500	800
200mV	0(DC)	±(1.5% F.S.)	YES	/	250	400
	10-45	±(1.5% F.S.)	YES	+ 0.5% rdg.	250	400
	45-66	±(1.5% F.S.)	YES	+ 0.2% rdg.	250	400
	66-1K	±(1.5% F.S.)	YES	+0.5%rdg (66~200Hz)	250	400

	1K-10K	$\pm(0.7\% \text{ rdg.} + 1.5\% \text{ F.S.})$	YES	/	250	400
	10K-100K	$\pm(5\% \text{ rdg.} + 1.5\% \text{ F.S.})$	YES	/	250	400
500mV	0(DC)	$\pm(0.9\% \text{ F.S.})$	YES	/	100	150
	10-45	$\pm(0.9\% \text{ F.S.})$	YES	+ 0.5% rdg.	100	150
	45-66	$\pm(0.9\% \text{ F.S.})$	YES	+ 0.2% rdg.	100	150
	66-1K	$\pm(0.9\% \text{ F.S.})$	YES	+0.5%rdg (66~200Hz)	100	150
	1K-10K	$\pm(0.7\% \text{ rdg.} + 0.9\% \text{ F.S.})$	YES	/	100	150
	10K-100K	$\pm(5\% \text{ rdg.} + 0.9\% \text{ F.S.})$	YES	/	100	150
1V	0(DC)	$\pm(0.7\% \text{ F.S.})$	YES	/	60	80
	10-45	$\pm(0.7\% \text{ F.S.})$	YES	+ 0.5% rdg.	60	80
	45-66	$\pm(0.7\% \text{ F.S.})$	YES	+ 0.2% rdg.	60	80
	66-1K	$\pm(0.7\% \text{ F.S.})$	YES	+0.5% rdg (66~200Hz)	60	80
	1K-10K	$\pm(0.7\% \text{ rdg.} + 0.7\% \text{ F.S.})$	YES	/	60	80
	10K-100K	$\pm(5\% \text{ rdg.} + 0.7\% \text{ F.S.})$	YES	/	60	80
2V	0(DC)	$\pm(0.5\% \text{ F.S.})$	YES	/	35	45
	10-45	$\pm(0.5\% \text{ F.S.})$	YES	+ 0.5% rdg.	35	45
	45-66	$\pm(0.5\% \text{ F.S.})$	YES	+ 0.2% rdg.	35	45
	66-1K	$\pm(0.5\% \text{ F.S.})$	YES	+0.5% rdg (66~200Hz)	35	45
	1K-10K	$\pm(0.7\% \text{ rdg.} + 0.5\% \text{ F.S.})$	YES	/	35	45
	10K-100K	$\pm(5\% \text{ rdg.} + 0.5\% \text{ F.S.})$	YES	/	35	45

When the crest factor is 6

Range	CF=6					
	Frequency (Hz)	Accuracy(The following accuracy is the sum of the reading error and the range error)	Calibration Zero	When the line filter is turned ON	Temp.coefficient (23±5°C)ppm	Temp.coefficient (5-18°C/28-40°C)ppm
50mV	0(DC)	$\pm(6\% \text{ F.S.})$	YES	/	2000	3000
	10-45	$\pm(6\% \text{ F.S.})$	YES	+ 1% rdg.	2000	3000
	45-66	$\pm(6\% \text{ F.S.})$	YES	+ 0.4% rdg.	2000	3000
	66-1K	$\pm(6\% \text{ F.S.})$	YES	+ 1% rdg (66~200Hz)	2000	3000
	1K-10K	$\pm(1.4\% \text{ rdg.} + 6\% \text{ F.S.})$	YES	/	2000	3000
	10K-100K	$\pm(10\% \text{ rdg.} + 6\% \text{ F.S.})$	YES	/	2000	3000
100mV	0(DC)	$\pm(6\% \text{ F.S.})$	YES	/	1000	1500
	10-45	$\pm(6\% \text{ F.S.})$	YES	+ 1% rdg.	1000	1500
	45-66	$\pm(6\% \text{ F.S.})$	YES	+ 0.4% rdg.	1000	1500
	66-1K	$\pm(6\% \text{ F.S.})$	YES	+ 1%rdg (66~200Hz)	1000	1500
	1K-10K	$\pm(1.4\% \text{ rdg.} + 6\% \text{ F.S.})$	YES	/	1000	1500
	10K-100K	$\pm(10\% \text{ rdg.} + 6\% \text{ F.S.})$	YES	/	1000	1500
200mV	0(DC)	$\pm(3\% \text{ F.S.})$	YES	/	500	800
	10-45	$\pm(3\% \text{ F.S.})$	YES	+ 1% rdg.	500	800

	45-66	$\pm(3\% \text{ F.S.})$	YES	+ 0.4% rdg.	500	800
	66-1K	$\pm(3\% \text{ F.S.})$	YES	+ 1% rdg (66~200Hz)	500	800
	1K-10K	$\pm(1.4\% \text{ rdg.} + 3\% \text{ F.S.})$	YES	/	500	800
	10K-10 0K	$\pm(10\% \text{ rdg.} + 3\% \text{ F.S.})$	YES	/	500	800
500mV	0(DC)	$\pm(1.8\% \text{ F.S.})$	YES	/	200	300
	10-45	$\pm(1.8\% \text{ F.S.})$	YES	+ 1% rdg.	200	300
	45-66	$\pm(1.8\% \text{ F.S.})$	YES	+ 0.4% rdg.	200	300
	66-1K	$\pm(1.8\% \text{ F.S.})$	YES	+ 1% rdg (66~200Hz)	200	300
	1K-10K	$\pm(1.4\% \text{ rdg.} + 1.8\% \text{ F.S.})$	YES	/	200	300
	10K-10 0K	$\pm(10\% \text{ rdg.} + 1.8\% \text{ F.S.})$	YES	/	200	300
1V	0(DC)	$\pm(1.4\% \text{ F.S.})$	YES	/	120	160
	10-45	$\pm(1.4\% \text{ F.S.})$	YES	+ 1% rdg.	120	160
	45-66	$\pm(1.4\% \text{ F.S.})$	YES	+ 0.4% rdg.	120	160
	66-1K	$\pm(1.4\% \text{ F.S.})$	YES	+ 1% rdg (66~200Hz)	120	160
	1K-10K	$\pm(1.4\% \text{ rdg.} + 1.4\% \text{ F.S.})$	YES	/	120	160
	10K-10 0K	$\pm(10\% \text{ rdg.} + 1.4\% \text{ F.S.})$	YES	/	120	160
2V	0(DC)	$\pm(1\% \text{ F.S.})$	YES	/	70	90
	10-45	$\pm(1\% \text{ F.S.})$	YES	+ 1% rdg.	70	90
	45-66	$\pm(1\% \text{ F.S.})$	YES	+ 0.4% rdg.	70	90
	66-1K	$\pm(1\% \text{ F.S.})$	YES	+ 1% rdg (66~200Hz)	70	90
	1K-10K	$\pm(1.4\% \text{ rdg.} + 1\% \text{ F.S.})$	YES	/	70	90
	10K-10 0K	$\pm(10\% \text{ rdg.} + 1\% \text{ F.S.})$	YES	/	70	90

Waveform display and peak display data are reference values.

9.1.6 Active Power Accuracy

Item	Specification	
Requirements	Humidity	30 ~ 75%RH
	Input waveform	Sine wave, common-mode voltage: 0V, power factor: 1
	Frequency filter	Turn on to measure voltage or current of 200Hz
	30 minutes after warm-up time has passed.	

Resolution

Range		Voltage Range					
		15V	30V	60V	150V	300V	600V
Current Range	5mA	0.001mW	0.01mW	0.01mW	0.01mW	0.1mW	0.1mW
	10mA	0.01mW	0.01mW	0.01mW	0.1mW	0.1mW	0.1mW
	20mA	0.01mW	0.01mW	0.01mW	0.1mW	0.1mW	1mW
	50mA	0.01mW	0.1mW	0.1mW	1mW	1mW	1mW
	100mA	0.1mW	0.1mW	0.1mW	1mW	1mW	1mW
	200mA	0.1mW	0.1mW	1mW	1mW	1mW	1mW
	500mA	0.1mW	1mW	1mW	1mW	10mW	10mW
	1A	1mW	1mW	1mW	10mW	10mW	10mW

	2A	1mW	1mW	10mW	10mW	10mW	0.1W
	5A	1mW	10mW	10mW	10mW	0.1W	0.1W
	10A	10mW	10mW	10mW	0.1W	0.1W	0.1W
	20A	10mW	10mW	0.1W	0.1W	0.1W	1W

When the crest factor is 3

CF=3						
Frequency (HZ)	Accuracy(The following accuracy is the sum of the reading error and the range error)	Calibration Zero	When the line filter is turned ON	Temp.coefficient (23±5°C)ppm	Temp.coefficient (5-18°C/28-40°C)ppm	
0(DC)	±(0.1% rdg.+ 0.2% F.S.)	YES	/	The temperature coefficient of the current/voltage range takes the higher value.	The temperature coefficient of the current/voltage range takes the higher value.	
10-45	±(0.3% rdg.+ 0.2% F.S.)	YES	+1%rdg.			
45-66	±(0.1% rdg.+ 0.1% F.S.)	YES	+0.3%rdg.			
66-1K	±(0.2% rdg.+ 0.2% F.S.)	YES	+1%rdg (66~200Hz)			
1K-10K	±(0.7% rdg.+ 0.3% F.S.)	YES	/			
10K-100K	±(5% rdg.+ 0.5% F.S.)	YES	/			

Influence of power factor:	<p>When the power factor is 0, the accuracy is increased by $\pm\{(0.2+0.2*f)\%$ of S } in basic accuracy. (S: apparent power, f is frequency of input signal in kHz.)</p> <p>When the power factor is 0~1, the accuracy is increased by $\{(power\ reading)*(power\ reading\ error)\%+(power\ range\ error)\%*(power\ range/indicated\ apparent\ power\ value)+\tan\phi * 0.2\% * S\}$ in basic accuracy. (S: apparent power, Φ: phase angle of the Voltage and current)</p>
----------------------------	---

When the crest factor is 6

CF=6						
Frequency (HZ)	Accuracy(The following accuracy is the sum of the reading error and the range error)	Calibration Zero	When the line filter is turned ON	Temp.coefficient (23±5°C)ppm	Temp.coefficient (5-18°C/28-40°C)ppm	
0(DC)	±(0.2% rdg.+ 0.4% F.S.)	YES	/	The temperature coefficient of the current/voltage range takes the higher value.	The temperature coefficient of the current/voltage range takes the higher value.	
10-45	±(0.6% rdg.+ 0.4% F.S.)	YES	+ 2% rdg.			
45-66	±(0.2% rdg.+ 0.2% F.S.)	YES	+0.6% rdg.			
66-1K	±(0.4% rdg.+ 0.4% F.S.)	YES	+2%rdg (66~200Hz)			
1K-10K	±(1.4% rdg.+ 0.6% F.S.)	YES	/			
10K-100K	±(10% rdg.+ 1% F.S.)	YES	/			

K	F.S.)				
---	-------	--	--	--	--

Influence of power factor:	<p>When the power factor is 0, the accuracy is increased by $\pm\{(0.4+0.4*f)\%$ of S } in basic accuracy. (S: apparent power, f is frequency of input signal in kHz.)</p> <p>When the power factor is 0~1, the accuracy is increased by $\{2*(\text{power reading})*(\text{power reading error})\%+ 2*(\text{power range error})\%*(\text{power range}/\text{indicated apparent power value})+ 2*\tan\phi * 0.2\% * S \}$ in basic accuracy. (S: apparent power, Φ: phase angle of the Voltage and current)</p>
----------------------------	--

9.1.7 Apparent Power Accuracy

(Turn on the frequency filter, when the frequency of measurement voltage or current is less than or equal to 200Hz.)

Resolution

Range		Voltage Range					
		15V	30V	60V	150V	300V	600V
Current Range	5mA	0.001mVA	0.01mVA	0.01mVA	0.01mVA	0.1mVA	0.1mVA
	10mA	0.01mVA	0.01mVA	0.01mVA	0.1mVA	0.1mVA	0.1mVA
	20mA	0.01mVA	0.01mVA	0.01mVA	0.1mVA	0.1mVA	1mVA
	50mA	0.01mVA	0.1mVA	0.1mVA	1mVA	1mVA	1mVA
	100mA	0.1mVA	0.1mVA	0.1mVA	1mVA	1mVA	1mVA
	200mA	0.1mVA	0.1mVA	1mVA	1mVA	1mVA	1mVA
	500mA	0.1mVA	1mVA	1mVA	1mVA	10mVA	10mVA
	1A	1mVA	1mVA	1mVA	10mVA	10mVA	10mVA
	2A	1mVA	1mVA	10mVA	10mVA	10mVA	0.1VA
	5A	1mVA	10mVA	10mVA	10mVA	0.1VA	0.1VA
	10A	10mVA	10mVA	10mVA	0.1VA	0.1VA	0.1VA
20A	10mVA	10mVA	0.1VA	0.1VA	0.1VA	1VA	

When the crest factor is 3

CF=3						
Frequency (HZ)	Accuracy(The following accuracy is the sum of the reading error and the range error)	Calibration Zero	When the line filter is turned ON	Temp.coefficient (23±5°C)ppm	Temp.coefficient (5-18°C/28-40°C)ppm	
0(DC)	$\pm(0.2\% \text{ rdg.} + 0.4\% \text{ F.S.})$	YES	/	The temperature coefficient of the current/voltage range takes the higher value.	The temperature coefficient of the current/voltage range takes the higher value.	
10-45	$\pm(0.2\% \text{ rdg.} + 0.4\% \text{ F.S.})$	YES	+ 1% rdg.			
45-66	$\pm(0.2\% \text{ rdg.} + 0.2\% \text{ F.S.})$	YES	+ 0.4% rdg.			
66-1K	$\pm(0.2\% \text{ rdg.} + 0.4\% \text{ F.S.})$	YES	+ 1% rdg (66~200Hz)			
1K-10K	$\pm(1.4\% \text{ rdg.} + 0.6\% \text{ F.S.})$	YES	/			
10K-100K	$\pm(10\% \text{ rdg.} + 1\% \text{ F.S.})$	YES	/			

When the crest factor is 6

CF=6						
Frequency (HZ)	Accuracy(The following accuracy is the sum of the reading error and the range error)	Calibration Zero	When the line filter is turned ON	Temp.coefficient (23±5°C)ppm	Temp.coefficient (5-18°C/28-40°C)ppm	

0(DC)	$\pm(0.4\% \text{ rdg.} + 0.8\% \text{ F.S.})$	YES	/	The temperature coefficient of the current/voltage range takes the higher value.	The temperature coefficient of the current/voltage range takes the higher value.
10-45	$\pm(0.4\% \text{ rdg.} + 0.8\% \text{ F.S.})$	YES	+ 2% rdg.		
45-66	$\pm(0.4\% \text{ rdg.} + 0.4\% \text{ F.S.})$	YES	+ 0.8% rdg.		
66-1K	$\pm(0.4\% \text{ rdg.} + 0.8\% \text{ F.S.})$	YES	+ 2% rdg (66~200Hz)		
1K-10K	$\pm(2.8\% \text{ rdg.} + 1.2\% \text{ F.S.})$	YES	/		
10K-100K	$\pm(20\% \text{ rdg.} + 2\% \text{ F.S.})$	YES	/		

Accuracy of power Factor	$\pm[(PF - PF/1.0002) + \cos\Phi - \cos\{\Phi + \sin^{-1}((0.2 + 0.2 * f) \% / 100)\}] \pm 1 \text{dgt}$ (f is frequency of input signal in kHz.) The voltage and current values are in rated range, Φ is the phase difference between the Voltage and current.
Accuracy of phase difference	$\pm[\Phi - \cos^{-1}(PF/1.0002) + \sin^{-1}\{(0.2 + 0.2 * f) \% / 100\}] \text{deg} \pm 1 \text{dgt}$ (f is frequency of input signal in kHz.) The voltage and current values are in rated range.

9.1.8 Reactive power Accuracy

(Turn on the frequency filter, when the frequency of measurement voltage or current is less than or equal to 200Hz.)

Resolution

Range		Voltage Range					
		15V	30V	60V	150V	300V	600V
Current Range	5mA	0.001mvar	0.01mvar	0.01mvar	0.01mvar	0.1mvar	0.1mvar
	10mA	0.01mvar	0.01mvar	0.01mvar	0.1mvar	0.1mvar	0.1mvar
	20mA	0.01mvar	0.01mvar	0.01mvar	0.1mvar	0.1mvar	1mvar
	50mA	0.01mvar	0.1mvar	0.1mvar	1mvar	1mvar	1mvar
	100mA	0.1mvar	0.1mvar	0.1mvar	1mvar	1mvar	1mvar
	200mA	0.1mvar	0.1mvar	1mvar	1mvar	1mvar	1mvar
	500mA	0.1mvar	1mvar	1mvar	1mvar	10mvar	10mvar
	1A	1mvar	1mvar	1mvar	10mvar	10mvar	10mvar
	2A	1mvar	1mvar	10mvar	10mvar	10mvar	0.1var
	5A	1mvar	10mvar	10mvar	10mvar	0.1var	0.1var
	10A	10mvar	10mvar	10mvar	0.1var	0.1var	0.1var
	20A	10mvar	10mvar	0.1var	0.1var	0.1var	1var

When the crest factor is 3

CF=3						
Frequency (HZ)	Accuracy(The following accuracy is the sum of the reading error and the range error)	Calibration Zero	When the line filter is turned ON	Temp.coefficient (23±5°C)ppm	Temp.coefficient (5-18°C/28-40°C)ppm	
0(DC)	$\pm(0.2\% \text{ rdg.} + 0.4\% \text{ F.S.} + (\frac{\sqrt{1.0004 - PF^2} - \sqrt{1 - PF^2}}{\sqrt{1 - PF^2}}) \times 100\% \text{ F.S.})$	YES	/	The temperature coefficient of the current/voltage range takes the higher value.	The temperature coefficient of the current/voltage range takes the higher value.	
10-45	$\pm(0.2\% \text{ rdg.} + 0.4\% \text{ F.S.} + (\frac{\sqrt{1.0004 - PF^2} - \sqrt{1 - PF^2}}{\sqrt{1 - PF^2}}) \times 100\% \text{ F.S.})$	YES	+1% rdg.			
45-66	$\pm(0.2\% \text{ rdg.} + 0.2\% \text{ F.S.} + (\frac{\sqrt{1.0004 - PF^2} - \sqrt{1 - PF^2}}{\sqrt{1 - PF^2}}) \times 100\% \text{ F.S.})$	YES	+ 0.4% rdg.			

66-1K	$\pm(0.2\% \text{ rdg.} + 0.4\% \text{ F.S.} + (\frac{\sqrt{1.0004 - \text{PF}^2} - \sqrt{1 - \text{PF}^2}}{\sqrt{1 - \text{PF}^2}}) \times 100\% \text{ F.S.})$	YES	+ 1% rdg (66~200Hz)		
1K-10K	$\pm(1.4\% \text{ rdg.} + 0.6\% \text{ F.S.} + (\frac{\sqrt{1.0004 - \text{PF}^2} - \sqrt{1 - \text{PF}^2}}{\sqrt{1 - \text{PF}^2}}) \times 100\% \text{ F.S.})$	YES	/		
10K-100K	$\pm(10\% \text{ rdg.} + 1\% \text{ F.S.} + (\frac{\sqrt{1.0004 - \text{PF}^2} - \sqrt{1 - \text{PF}^2}}{\sqrt{1 - \text{PF}^2}}) \times 100\% \text{ F.S.})$	YES	/		

When the crest factor is 6

CF=6						
Frequency (HZ)	Accuracy(The following accuracy is the sum of the reading error and the range error)	Calibration Zero	When the line filter is turned ON	Temp.coefficient (23±5°C)ppm	Temp.coefficient (5-18°C/28-40°C)ppm	
0(DC)	$\pm(0.4\% \text{ rdg.} + 0.8\% \text{ F.S.} + (\frac{\sqrt{1.0004 - \text{PF}^2} - \sqrt{1 - \text{PF}^2}}{\sqrt{1 - \text{PF}^2}}) \times 2 \times 100\% \text{ F.S.})$	YES	/	The temperature coefficient of the current/voltage range takes the higher value.	The temperature coefficient of the current/voltage range takes the higher value.	
10-45	$\pm(0.4\% \text{ rdg.} + 0.8\% \text{ F.S.} + (\frac{\sqrt{1.0004 - \text{PF}^2} - \sqrt{1 - \text{PF}^2}}{\sqrt{1 - \text{PF}^2}}) \times 2 \times 100\% \text{ F.S.})$	YES	+ 2% rdg.			
45-66	$\pm(0.4\% \text{ rdg.} + 0.4\% \text{ F.S.} + (\frac{\sqrt{1.0004 - \text{PF}^2} - \sqrt{1 - \text{PF}^2}}{\sqrt{1 - \text{PF}^2}}) \times 2 \times 100\% \text{ F.S.})$	YES	+ 0.8% rdg.			
66-1K	$\pm(0.4\% \text{ rdg.} + 0.8\% \text{ F.S.} + (\frac{\sqrt{1.0004 - \text{PF}^2} - \sqrt{1 - \text{PF}^2}}{\sqrt{1 - \text{PF}^2}}) \times 2 \times 100\% \text{ F.S.})$	YES	+ 2% rdg (66~200Hz)			
1K-10K	$\pm(2.8\% \text{ rdg.} + 1.2\% \text{ F.S.} + (\frac{\sqrt{1.0004 - \text{PF}^2} - \sqrt{1 - \text{PF}^2}}{\sqrt{1 - \text{PF}^2}}) \times 2 \times 100\% \text{ F.S.})$	YES	/			
10K-100K	$\pm(20\% \text{ rdg.} + 2\% \text{ F.S.} + (\frac{\sqrt{1.0004 - \text{PF}^2} - \sqrt{1 - \text{PF}^2}}{\sqrt{1 - \text{PF}^2}}) \times 2 \times 100\% \text{ F.S.})$	YES	/			

9.1.9 Frequency Measurement

Item	Specification	
Frequency measurement range	Data update interval	Measurement range
	0.1s	25Hz ≤ f ≤ 100kHz
	0.25s	10Hz ≤ f ≤ 100kHz
	0.5s	5Hz ≤ f ≤ 100kHz
	1s	2.5Hz ≤ f ≤ 100kHz
	2s	1.5Hz ≤ f ≤ 50kHz
	5s	0.5Hz ≤ f ≤ 20kHz
Accuracy	Accuracy: ±(0.06% of reading) Requirements: When crest factor is set to 3, the input signal level is greater than or equal to 20% of the measurement range. When crest factor is set to 6, the input signal level is greater than or equal to 40% of the measurement range. Turn on the frequency filter, when the frequency of measurement voltage or	

	current is less than or equal to 200Hz.
--	---

Resolution

Range	Resolution
$f < 10\text{Hz}$	0.001 Hz
$10\text{Hz} \leq f < 100\text{Hz}$	0.01 Hz
$100\text{Hz} \leq f < 1000\text{Hz}$	0.1 Hz
$1\text{kHz} \leq f < 10\text{kHz}$	1 Hz
$10\text{kHz} \leq f < 100\text{kHz}$	10 Hz

9.1.10 Harmonic Measurement

Select voltage or current of each input element.

When PF=3, the input level is equal to or greater than 50% of the rated range.
 When PF=6, the input level is equal to or greater than 100% of the rated range.
 When fundamental frequency is less than or equal to 200Hz, the frequency filter must be opened.

When line filter is off, the accuracy shown below is the sum of reading and range errors.

Frequency	Voltage	Current	Power
$10\text{Hz} \leq f < 45\text{Hz}$	$\pm(0.15\% \text{ rdg.} + 0.35\% \text{ F.S.})$	$\pm(0.15\% \text{ rdg.} + 0.35\% \text{ F.S.})$	$\pm(0.15\% \text{ rdg.} + 0.50\% \text{ F.S.})$
$45\text{Hz} \leq f < 440\text{Hz}$	$\pm(0.15\% \text{ rdg.} + 0.35\% \text{ F.S.})$	$\pm(0.15\% \text{ rdg.} + 0.35\% \text{ F.S.})$	$\pm(0.25\% \text{ rdg.} + 0.50\% \text{ F.S.})$
$440\text{Hz} < f \leq 1\text{kHz}$	$\pm(0.20\% \text{ rdg.} + 0.35\% \text{ F.S.})$	$\pm(0.20\% \text{ rdg.} + 0.35\% \text{ F.S.})$	$\pm(0.40\% \text{ rdg.} + 0.50\% \text{ F.S.})$
$1\text{kHz} < f \leq 2.5\text{kHz}$	$\pm(0.80\% \text{ rdg.} + 0.45\% \text{ F.S.})$	$\pm(0.80\% \text{ rdg.} + 0.45\% \text{ F.S.})$	$\pm(1.56\% \text{ rdg.} + 0.60\% \text{ F.S.})$
$2.5\text{kHz} < f \leq 5\text{kHz}$	$\pm(3.05\% \text{ rdg.} + 0.45\% \text{ F.S.})$	$\pm(3.05\% \text{ rdg.} + 0.45\% \text{ F.S.})$	$\pm(5.77\% \text{ rdg.} + 0.60\% \text{ F.S.})$

FFT data length: 1024.

Window function: Rectangle.

The fundamental frequency, sample rate, window width and upper limit of analysis orders are as follows:

Fundamental frequency	Sample rate	Window width	Upper limit of analysis orders
10Hz ~ 76Hz	$f * 1024$	1	50
76Hz ~ 152Hz	$f * 512$	2	32
152Hz ~ 305Hz	$f * 256$	4	16
305Hz ~ 610Hz	$f * 128$	8	8
610Hz ~ 1500Hz	$f * 64$	16	4

The upper limit of analysis orders can be decrease.

9.1.11 Integration

Mode	MANUAL, TIME and TInterval
Integral interval range	0000h00m00s~10000h00m00s
Overflowing count	When the intergral interval is up to the maximum intergral interval(10000h) or the integral value is up to the maximum or minimum display integral value, the integration operation will stop and hold the integral interval and value of this point. *WP: $\pm 99999 \text{ MWh}$ q: $\pm 99999 \text{ MAh}$
Accuracy	Power: $\pm(\text{ power accuracy} + 0.02\% \times \text{WS})$ Current: Select value except the current dc: $\pm(\text{ current accuracy} + 0.02\% \text{ of the})$

	reading value). Select the current dc: $\pm(\text{current accuracy} + 0.02 \text{ of the range} \times \text{Integral interval (h)\%})$
--	--

9.1.12 Oscilloscope Function

Grid numbers	300
Display format	p-p compressed data
Sample rate	100 kS/s approximately
Time axis	Select scale from: 500us/div、1ms/div、2ms/div、5ms/div、10ms/div、20ms/div、50ms/div、100ms/div、200ms/div、500ms/div。
Trigger type	Edge
Trigger mode	Auto, Normal or Single.
Trigger source	select the trigger source from the input signal of the input unit and the external clock signal.
Trigger edge	Rising edge, falling edge or arbitrary edge.
Trigger level	<ul style="list-style-type: none"> •When the trigger source is the voltage or current of the input unit, the setting range is from the center of the screen to the top(+100%) and bottom(-100%). Resolution: 0.1%. • When the trigger source is the external clock signal, the trigger level is TTL.
Vertical axis	Voltage waveform display: (one-third of the voltage range)/div Current waveform display: (one-third of the current range)/div
Turn on or off the waveform display	You can turn on or off each voltage or current waveform display.

9.1.13 Interface

USB Interface

Item	Specification
Interface type	Type B (socket)
Electrical and mechanical specifications	USB 2.0
Transmission speed	Maximum speed is 12Mbps
Port number	1
Power supply	Self-powered
Support service	Remote control
Support system	Run PC with Windows 7(SP4 version or update version), Windows XP or Windows Vista, standard USB interface.

USB peripheral equipment interface

Item	Specification
Interface type	Type A (socket)
Electrical and mechanical specifications	USB 2.0
Transmission speed	Maximum speed is 12Mbps
Port number	1
Power supply	Power supply 5V、500mA2 (per port)
Support USB large capacity memory	USB flash memory (meet USB Mass Storage Class Specification)
Support system	Run PC with Windows 7(SP4 version or update version), Windows XP or Windows Vista, standard USB interface.

GPIB Interface(Only for IT9100(G) series)

Item	Specification
Available equipment	America NI Company <ul style="list-style-type: none"> • AT-GPIB • PCI-GPIB or PCI-GPIB+ • PCMCIA-GPIB, PCMCIA-GPIB+ or PCIe-GPIB Drive program: NI-488.2M 1.60 or update version
Electrical and mechanical specifications	IEEE St'd 488-1978 (JIS C 1901-1987)
Functional specification	SH1, AH1, T6, L4, SR1, RL1, PP0, DC1, DT1, C0
Protocol	IEEE St'd 488.2-1992
Encoding	ISO (ASCII)
Mode	The address mode can be set.

Serial port (RS-232)

Item	Specification
Electrical Specification	Comply with EIA-232(RS-232) standard
Connection type	Point to point
Communication type	Full duplex
Synchronization	Start and stop can be synchronized.
Baud rate	The baud rate can be set(Default: 9600)
Start bit	1bit
Data length	7 or 8 bits
Parity bit	EVEN, ODD or None
Stop bit	1 or 2 bits

Ethernet Communication

Item	Specification
Port number	1
Interface	RJ-45
Electrical and mechanical specifications	IEEE802.3
Transmission system	Ethernet (100BASE-TX)
Transmission speed	Maximum speed: 100Mbps
Communication protocol	TCP/IP
Support equipment	FTP service、DHCP、DNS、Remote control (VXI-11)

Please contact ITECH for the corresponding information about the supportable USB device.

*The above specifications may be subject to change without prior notice.

9.2 IT9121H Specification

9.2.1 General Specification

AC input voltage	100VAC—240VAC 47-63HZ
Operating Environment	Temperature: 5°C ~ 40°C

	Humidity: 30 ~ 75% (non-condensation)
Installation	Indoors
Maximum power consumption	50VA
Measurement wires	Single-phase, two-wire(1P2W)
Environmental requirements for the instrument calibration	Refer to the calibration report.
Period of validity of calibration	Six month
Maximum rated input voltage	1000VRMS 1800VPEAK
Maximum rated input current	20ARMS 60APEAK
Input impedance	Voltage: Approx 2MR, Current: Approx 0.5R (small range) 0.018R (large range), EX1: Approx 100K, EX2: Approx 20K
Maximum rated voltage to ground	1000VRMS 47-63HZ
Valid input range	1%-110% of the range (When voltage range is 1000Vrms and CF is 1.5, the valid input range is 1% -100% of range.)
Weight	2.6kg
Dimension	255mmWx107.7mmHx387.3mmD

9.2.2 Voltage Accuracy

Item	Specification	
Requirements	Humidity	30 ~ 75%RH
	Input waveform	Sine wave, common-mode voltage: 0V
	Frequency filter	Turn on to measure voltage or current of 200Hz
	30 minutes after warm-up time has passed.	

Resolution

Range	Resolution
15V	1mV
30V	1mV
60V	1mV
150V	10mV
300V	10mV
600V	10mV
1000V	0.1V

When the crest factor is 3

Range	CF=3					
15V, 30V, 60V, 150V, 300V, 600V, 1000V(C F=1.5)	Frequency (HZ)	Accuracy(The following accuracy is the sum of the reading error and the range error)	Calibration Zero	When the line filter is turned ON	Temp.coefficient (23±5°C)ppm	Temp.coefficient (5-18°C/28-40°C)ppm
	0(DC)	±(0.1% rdg.+ 0.2% F.S.)	YES	/	200	300
	10-45	±(0.1% rdg.+ 0.2% F.S.)	YES	+ 0.5% rdg.	200	300
	45-66	±(0.1% rdg.+ 0.1% F.S.)	YES	+ 0.2% rdg.	200	300
	66-1K	±(0.1% rdg.+ 0.2% F.S.)	YES	+ 0.5% rdg (66~200Hz)	200	300
	1K-10K	±(0.7% rdg.+ 0.3% F.S.)	YES	/	200	300
	10K-100K	±(5% rdg.+ 0.5% F.S.)	YES	/	200	300

When the crest factor is 6

Range	CF=6					
7.5V, 15V, 30V, 75V, 150V, 300V, 500V(C F=3)	Frequency (HZ)	Accuracy(The following accuracy is the sum of the reading error and the range error)	Calibration Zero	When the line filter is turned ON	Temp.coefficient (23±5°C)ppm	Temp.coefficient (5-18°C/28-40°C)ppm
	0(DC)	±(0.2% rdg.+ 0.4% F.S.)	YES	/	400	600
	10-45	±(0.2% rdg.+ 0.4% F.S.)	YES	+ 1% rdg.	400	600
	45-66	±(0.2% rdg.+ 0.2% F.S.)	YES	+0.4%rdg.	400	600
	66-1K	±(0.2% rdg.+ 0.4% F.S.)	YES	+ 1% rdg (66~200Hz)	400	600
	1K-10K	±(1.4% rdg.+ 0.6% F.S.)	YES	/	400	600
	10K-100K	±(10% rdg.+ 1% F.S.)	YES	/	400	600

9.2.3 Current Accuracy

Item	Specification	
Requirements	Humidity	30 ~ 75%RH
	Input waveform	Sine wave, common-mode voltage: 0V
	Frequency filter	Turn on to measure voltage or current of 200Hz
	30 minutes after warm-up time has passed.	

Resolution

Range	Resolution
5mA	0.0001mA
10mA	0.001mA
20mA	0.001mA
50mA	0.001mA
100mA	0.01mA
200mA	0.01mA
500mA	0.01mA
1A	0.1 mA
2A	0.1 mA
5A	0.1 mA
10A	1 mA
20A	1 mA

When the crest factor is 3

Range	CF=3					
5mA	Frequency (HZ)	Accuracy(The following accuracy is the sum of the reading error and the range error)	Calibration Zero	When the line filter is turned ON	Temp.coefficient (23±5°C)ppm	Temp.coefficient (5-18°C/28-40°C)ppm
	0(DC)	±(0.1% rdg.+ 0.2% F.S.)	YES	/	1000	1500
	10-45	±(0.1% rdg.+ 0.2% F.S.)	YES	+ 0.5% rdg.	1000	1500
	45-66	±(0.1% rdg.+ 0.1% F.S.)	YES	+ 0.2% rdg.	1000	1500
	66-1K	±(0.1% rdg.+ 0.2% F.S.)	YES	+ 0.5% rdg (66~200Hz)	1000	1500
	1K-10K	±(0.7% rdg.+ 0.3% F.S.)	YES	/	1000	1500
	10K-100K	±(5% rdg.+ 0.5% F.S.)	YES	/	1000	1500

10mA	0(DC)	$\pm(0.1\% \text{ rdg.} + 0.2\% \text{ F.S.})$	YES	/	500	800
	10-45	$\pm(0.1\% \text{ rdg.} + 0.2\% \text{ F.S.})$	YES	+ 0.5% rdg.	500	800
	45-66	$\pm(0.1\% \text{ rdg.} + 0.1\% \text{ F.S.})$	YES	+ 0.2% rdg.	500	800
	66-1K	$\pm(0.1\% \text{ rdg.} + 0.2\% \text{ F.S.})$	YES	+ 0.5% rdg (66~200Hz)	500	800
	1K-10K	$\pm(0.7\% \text{ rdg.} + 0.3\% \text{ F.S.})$	YES	/	500	800
	10K-100K	$\pm(5\% \text{ rdg.} + 0.5\% \text{ F.S.})$	YES	/	500	800
20mA	0(DC)	$\pm(0.1\% \text{ rdg.} + 0.2\% \text{ F.S.})$	YES	/	250	400
	10-45	$\pm(0.1\% \text{ rdg.} + 0.2\% \text{ F.S.})$	YES	+ 0.5% rdg.	250	400
	45-66	$\pm(0.1\% \text{ rdg.} + 0.1\% \text{ F.S.})$	YES	+ 0.2% rdg.	250	400
	66-1K	$\pm(0.1\% \text{ rdg.} + 0.2\% \text{ F.S.})$	YES	+ 0.5% rdg (66~200Hz)	250	400
	1K-10K	$\pm(0.7\% \text{ rdg.} + 0.3\% \text{ F.S.})$	YES	/	250	400
	10K-100K	$\pm(5\% \text{ rdg.} + 0.5\% \text{ F.S.})$	YES	/	250	400
50mA	0(DC)	$\pm(0.1\% \text{ rdg.} + 0.2\% \text{ F.S.})$	YES	/	100	150
	10-45	$\pm(0.1\% \text{ rdg.} + 0.2\% \text{ F.S.})$	YES	+ 0.5% rdg.	100	150
	45-66	$\pm(0.1\% \text{ rdg.} + 0.1\% \text{ F.S.})$	YES	+ 0.2% rdg.	100	150
	66-1K	$\pm(0.1\% \text{ rdg.} + 0.2\% \text{ F.S.})$	YES	+ 0.5% rdg (66~200Hz)	100	150
	1K-10K	$\pm(0.7\% \text{ rdg.} + 0.3\% \text{ F.S.})$	YES	/	100	150
	10K-100K	$\pm(5\% \text{ rdg.} + 0.5\% \text{ F.S.})$	YES	/	100	150
100mA	0(DC)	$\pm(0.1\% \text{ rdg.} + 0.2\% \text{ F.S.})$	YES	/	50	75
	10-45	$\pm(0.1\% \text{ rdg.} + 0.2\% \text{ F.S.})$	YES	+ 0.5% rdg.	50	75
	45-66	$\pm(0.1\% \text{ rdg.} + 0.1\% \text{ F.S.})$	YES	+ 0.2% rdg.	50	75
	66-1K	$\pm(0.1\% \text{ rdg.} + 0.2\% \text{ F.S.})$	YES	+ 0.5% rdg (66~200Hz)	50	75
	1K-10K	$\pm(0.7\% \text{ rdg.} + 0.3\% \text{ F.S.})$	YES	/	50	75
	10K-100K	$\pm(5\% \text{ rdg.} + 0.5\% \text{ F.S.})$	YES	/	50	75
200mA	0(DC)	$\pm(0.1\% \text{ rdg.} + 0.2\% \text{ F.S.})$	YES	/	35	45
	10-45	$\pm(0.1\% \text{ rdg.} + 0.2\% \text{ F.S.})$	YES	+ 0.5% rdg.	35	45
	45-66	$\pm(0.1\% \text{ rdg.} + 0.1\% \text{ F.S.})$	YES	+ 0.2% rdg.	35	45
	66-1K	$\pm(0.1\% \text{ rdg.} + 0.2\% \text{ F.S.})$	YES	+ 0.5% rdg (66~200Hz)	35	45
	1K-10K	$\pm(0.7\% \text{ rdg.} + 0.3\% \text{ F.S.})$	YES	/	35	45
	10K-100K	$\pm(5\% \text{ rdg.} + 0.5\% \text{ F.S.})$	YES	/	35	45
500mA	0(DC)	$\pm(0.1\% \text{ rdg.} + 0.2\% \text{ F.S.})$	YES	/	1000	1500
	10-45	$\pm(0.1\% \text{ rdg.} + 0.2\% \text{ F.S.})$	YES	+ 0.5% rdg.	1000	1500
	45-66	$\pm(0.1\% \text{ rdg.} + 0.1\% \text{ F.S.})$	YES	+ 0.2% rdg.	1000	1500
	66-1K	$\pm(0.1\% \text{ rdg.} + 0.2\% \text{ F.S.})$	YES	+ 0.5% rdg (66~200Hz)	1000	1500
	1K-10K	$\pm(0.7\% \text{ rdg.} + 0.3\% \text{ F.S.})$	YES	/	1000	1500
	10K-100K	$\pm(5\% \text{ rdg.} + 0.5\% \text{ F.S.})$	YES	/	1000	1500
1A	0(DC)	$\pm(0.1\% \text{ rdg.} + 0.2\% \text{ F.S.})$	YES	/	500	800
	10-45	$\pm(0.1\% \text{ rdg.} + 0.2\% \text{ F.S.})$	YES	+ 0.5% rdg.	500	800
	45-66	$\pm(0.1\% \text{ rdg.} + 0.1\% \text{ F.S.})$	YES	+ 0.2% rdg.	500	800
	66-1K	$\pm(0.1\% \text{ rdg.} + 0.2\% \text{ F.S.})$	YES	+ 0.5% rdg (66~200Hz)	500	800
	1K-10K	$\pm(0.7\% \text{ rdg.} + 0.3\% \text{ F.S.})$	YES	/	500	800
	10K-100K	$\pm(5\% \text{ rdg.} + 0.5\% \text{ F.S.})$	YES	/	500	800
2A	0(DC)	$\pm(0.1\% \text{ rdg.} + 0.2\% \text{ F.S.})$	YES	/	250	400
	10-45	$\pm(0.1\% \text{ rdg.} + 0.2\% \text{ F.S.})$	YES	+ 0.5% rdg.	250	400

	45-66	$\pm(0.1\% \text{ rdg.} + 0.1\% \text{ F.S.})$	YES	+ 0.2% rdg.	250	400
	66-1K	$\pm(0.1\% \text{ rdg.} + 0.2\% \text{ F.S.})$	YES	+ 0.5% rdg (66~200Hz)	250	400
	1K-10K	$\pm(0.7\% \text{ rdg.} + 0.3\% \text{ F.S.})$	YES	/	250	400
	10K-100K	$\pm(5\% \text{ rdg.} + 0.5\% \text{ F.S.})$	YES	/	250	400
5A	0(DC)	$\pm(0.1\% \text{ rdg.} + 0.2\% \text{ F.S.})$	YES	/	100	150
	10-45	$\pm(0.1\% \text{ rdg.} + 0.2\% \text{ F.S.})$	YES	+ 0.5% rdg.	100	150
	45-66	$\pm(0.1\% \text{ rdg.} + 0.1\% \text{ F.S.})$	YES	+ 0.2% rdg.	100	150
	66-1K	$\pm(0.1\% \text{ rdg.} + 0.2\% \text{ F.S.})$	YES	+ 0.5% rdg (66~200Hz)	100	150
	1K-10K	$\pm(0.7\% \text{ rdg.} + 0.3\% \text{ F.S.})$	YES	/	100	150
	10K-100K	$\pm(5\% \text{ rdg.} + 0.5\% \text{ F.S.})$	YES	/	100	150
10A	0(DC)	$\pm(0.1\% \text{ rdg.} + 0.2\% \text{ F.S.})$	YES	/	60	80
	10-45	$\pm(0.1\% \text{ rdg.} + 0.2\% \text{ F.S.})$	YES	+ 0.5% rdg.	60	80
	45-66	$\pm(0.1\% \text{ rdg.} + 0.1\% \text{ F.S.})$	YES	+ 0.2% rdg.	60	80
	66-1K	$\pm(0.1\% \text{ rdg.} + 0.2\% \text{ F.S.})$	YES	+ 0.5% rdg (66~200Hz)	60	80
	1K-10K	$\pm(0.7\% \text{ rdg.} + 0.3\% \text{ F.S.})$	YES	/	60	80
	10K-100K	$\pm(5\% \text{ rdg.} + 0.5\% \text{ F.S.})$	YES	/	60	80
20A	0(DC)	$\pm(0.1\% \text{ rdg.} + 0.2\% \text{ F.S.})$	YES	/	35	45
	10-45	$\pm(0.1\% \text{ rdg.} + 0.2\% \text{ F.S.})$	YES	+ 0.5% rdg.	35	45
	45-66	$\pm(0.1\% \text{ rdg.} + 0.1\% \text{ F.S.})$	YES	+ 0.2% rdg.	35	45
	66-1K	$\pm(0.1\% \text{ rdg.} + 0.2\% \text{ F.S.})$	YES	+ 0.5% rdg (66~200Hz)	35	45
	1K-10K	$\pm(0.7\% \text{ rdg.} + 0.3\% \text{ F.S.})$	YES	/	35	45
	10K-100K	$\pm(5\% \text{ rdg.} + 0.5\% \text{ F.S.})$	YES	/	35	45

When the crest factor is 6

Range	CF=6					
2.5mA	Frequency (Hz)	Accuracy(The following accuracy is the sum of the reading error and the range error)	Calibration Zero	When the line filter is turned ON	Temp.coefficient (23±5°C)ppm	Temp.coefficient (5-18°C/28-40°C)ppm
	0(DC)	$\pm(0.2\% \text{ rdg.} + 0.4\% \text{ F.S.})$	YES	/	2000	3000
	10-45	$\pm(0.2\% \text{ rdg.} + 0.4\% \text{ F.S.})$	YES	+ 1% rdg.	2000	3000
	45-66	$\pm(0.2\% \text{ rdg.} + 0.2\% \text{ F.S.})$	YES	+ 0.4% rdg.	2000	3000
	66-1K	$\pm(0.2\% \text{ rdg.} + 0.4\% \text{ F.S.})$	YES	+ 1% rdg (66~200Hz)	2000	3000
	1K-10K	$\pm(1.4\% \text{ rdg.} + 0.6\% \text{ F.S.})$	YES	/	2000	3000
	10K-100K	$\pm(10\% \text{ rdg.} + 1\% \text{ F.S.})$	YES	/	2000	3000
5mA	0(DC)	$\pm(0.2\% \text{ rdg.} + 0.4\% \text{ F.S.})$	YES	/	1000	1500
	10-45	$\pm(0.2\% \text{ rdg.} + 0.4\% \text{ F.S.})$	YES	+ 1% rdg.	1000	1500
	45-66	$\pm(0.2\% \text{ rdg.} + 0.2\% \text{ F.S.})$	YES	+ 0.4% rdg.	1000	1500
	66-1K	$\pm(0.2\% \text{ rdg.} + 0.4\% \text{ F.S.})$	YES	+ 1% rdg (66~200Hz)	1000	1500
	1K-10K	$\pm(1.4\% \text{ rdg.} + 0.6\% \text{ F.S.})$	YES	/	1000	1500
	10K-100K	$\pm(10\% \text{ rdg.} + 1\% \text{ F.S.})$	YES	/	1000	1500
10mA	0(DC)	$\pm(0.2\% \text{ rdg.} + 0.4\% \text{ F.S.})$	YES	/	500	800
	10-45	$\pm(0.2\% \text{ rdg.} + 0.4\% \text{ F.S.})$	YES	+ 1% rdg.	500	800
	45-66	$\pm(0.2\% \text{ rdg.} + 0.2\% \text{ F.S.})$	YES	+ 0.4% rdg.	500	800
	66-1K	$\pm(0.2\% \text{ rdg.} + 0.4\% \text{ F.S.})$	YES	+ 1% rdg (66~200Hz)	500	800
	1K-10K	$\pm(1.4\% \text{ rdg.} + 0.6\% \text{ F.S.})$	YES	/	500	800

	10K-100K	$\pm(10\% \text{ rdg.} + 1\% \text{ F.S.})$	YES	/	500	800
25mA	0(DC)	$\pm(0.2\% \text{ rdg.} + 0.4\% \text{ F.S.})$	YES	/	200	300
	10-45	$\pm(0.2\% \text{ rdg.} + 0.4\% \text{ F.S.})$	YES	+ 1% rdg.	200	300
	45-66	$\pm(0.2\% \text{ rdg.} + 0.2\% \text{ F.S.})$	YES	+ 0.4% rdg.	200	300
	66-1K	$\pm(0.2\% \text{ rdg.} + 0.4\% \text{ F.S.})$	YES	+ 1% rdg (66~200Hz)	200	300
	1K-10K	$\pm(1.4\% \text{ rdg.} + 0.6\% \text{ F.S.})$	YES	/	200	300
	10K-100K	$\pm(10\% \text{ rdg.} + 1\% \text{ F.S.})$	YES	/	200	300
50mA	0(DC)	$\pm(0.2\% \text{ rdg.} + 0.4\% \text{ F.S.})$	YES	/	100	150
	10-45	$\pm(0.2\% \text{ rdg.} + 0.4\% \text{ F.S.})$	YES	+ 1% rdg.	100	150
	45-66	$\pm(0.2\% \text{ rdg.} + 0.2\% \text{ F.S.})$	YES	+ 0.4% rdg.	100	150
	66-1K	$\pm(0.2\% \text{ rdg.} + 0.4\% \text{ F.S.})$	YES	+ 1% rdg (66~200Hz)	100	150
	1K-10K	$\pm(1.4\% \text{ rdg.} + 0.6\% \text{ F.S.})$	YES	/	100	150
	10K-100K	$\pm(10\% \text{ rdg.} + 1\% \text{ F.S.})$	YES	/	100	150
100mA	0(DC)	$\pm(0.2\% \text{ rdg.} + 0.4\% \text{ F.S.})$	YES	/	70	90
	10-45	$\pm(0.2\% \text{ rdg.} + 0.4\% \text{ F.S.})$	YES	+ 1% rdg.	70	90
	45-66	$\pm(0.2\% \text{ rdg.} + 0.2\% \text{ F.S.})$	YES	+ 0.4% rdg.	70	90
	66-1K	$\pm(0.2\% \text{ rdg.} + 0.4\% \text{ F.S.})$	YES	+ 1% rdg (66~200Hz)	70	90
	1K-10K	$\pm(1.4\% \text{ rdg.} + 0.6\% \text{ F.S.})$	YES	/	70	90
	10K-100K	$\pm(10\% \text{ rdg.} + 1\% \text{ F.S.})$	YES	/	70	90
250mA	0(DC)	$\pm(0.2\% \text{ rdg.} + 0.4\% \text{ F.S.})$	YES	/	2000	3000
	10-45	$\pm(0.2\% \text{ rdg.} + 0.4\% \text{ F.S.})$	YES	+ 1% rdg.	2000	3000
	45-66	$\pm(0.2\% \text{ rdg.} + 0.2\% \text{ F.S.})$	YES	+ 0.4% rdg.	2000	3000
	66-1K	$\pm(0.2\% \text{ rdg.} + 0.4\% \text{ F.S.})$	YES	+ 1% rdg (66~200Hz)	2000	3000
	1K-10K	$\pm(1.4\% \text{ rdg.} + 0.6\% \text{ F.S.})$	YES	/	2000	3000
	10K-100K	$\pm(10\% \text{ rdg.} + 1\% \text{ F.S.})$	YES	/	2000	3000
0.5A	0(DC)	$\pm(0.2\% \text{ rdg.} + 0.4\% \text{ F.S.})$	YES	/	1000	1500
	10-45	$\pm(0.2\% \text{ rdg.} + 0.4\% \text{ F.S.})$	YES	+ 1% rdg.	1000	1500
	45-66	$\pm(0.2\% \text{ rdg.} + 0.2\% \text{ F.S.})$	YES	+ 0.4% rdg.	1000	1500
	66-1K	$\pm(0.2\% \text{ rdg.} + 0.4\% \text{ F.S.})$	YES	+ 1% rdg (66~200Hz)	1000	1500
	1K-10K	$\pm(1.4\% \text{ rdg.} + 0.6\% \text{ F.S.})$	YES	/	1000	1500
	10K-100K	$\pm(10\% \text{ rdg.} + 1\% \text{ F.S.})$	YES	/	1000	1500
1A	0(DC)	$\pm(0.2\% \text{ rdg.} + 0.4\% \text{ F.S.})$	YES	/	500	800
	10-45	$\pm(0.2\% \text{ rdg.} + 0.4\% \text{ F.S.})$	YES	+ 1% rdg.	500	800
	45-66	$\pm(0.2\% \text{ rdg.} + 0.2\% \text{ F.S.})$	YES	+ 0.4% rdg.	500	800
	66-1K	$\pm(0.2\% \text{ rdg.} + 0.4\% \text{ F.S.})$	YES	+ 1% rdg (66~200Hz)	500	800
	1K-10K	$\pm(1.4\% \text{ rdg.} + 0.6\% \text{ F.S.})$	YES	/	500	800
	10K-100K	$\pm(10\% \text{ rdg.} + 1\% \text{ F.S.})$	YES	/	500	800
2.5A	0(DC)	$\pm(0.2\% \text{ rdg.} + 0.4\% \text{ F.S.})$	YES	/	200	300
	10-45	$\pm(0.2\% \text{ rdg.} + 0.4\% \text{ F.S.})$	YES	+ 1% rdg.	200	300
	45-66	$\pm(0.2\% \text{ rdg.} + 0.2\% \text{ F.S.})$	YES	+ 0.4% rdg.	200	300
	66-1K	$\pm(0.2\% \text{ rdg.} + 0.4\% \text{ F.S.})$	YES	+ 1% rdg (66~200Hz)	200	300
	1K-10K	$\pm(1.4\% \text{ rdg.} + 0.6\% \text{ F.S.})$	YES	/	200	300
	10K-100K	$\pm(10\% \text{ rdg.} + 1\% \text{ F.S.})$	YES	/	200	300

5A	0(DC)	$\pm(0.2\% \text{ rdg.} + 0.4\% \text{ F.S.})$	YES	/	120	160
	10-45	$\pm(0.2\% \text{ rdg.} + 0.4\% \text{ F.S.})$	YES	+ 1% rdg.	120	160
	45-66	$\pm(0.2\% \text{ rdg.} + 0.2\% \text{ F.S.})$	YES	+ 0.4% rdg.	120	160
	66-1K	$\pm(0.2\% \text{ rdg.} + 0.4\% \text{ F.S.})$	YES	+ 1% rdg (66~200Hz)	120	160
	1K-10K	$\pm(1.4\% \text{ rdg.} + 0.6\% \text{ F.S.})$	YES	/	120	160
	10K-100K	$\pm(10\% \text{ rdg.} + 1\% \text{ F.S.})$	YES	/	120	160
10A	0(DC)	$\pm(0.2\% \text{ rdg.} + 0.4\% \text{ F.S.})$	YES	/	70	90
	10-45	$\pm(0.2\% \text{ rdg.} + 0.4\% \text{ F.S.})$	YES	+ 1% rdg.	70	90
	45-66	$\pm(0.2\% \text{ rdg.} + 0.2\% \text{ F.S.})$	YES	+ 0.4% rdg.	70	90
	66-1K	$\pm(0.2\% \text{ rdg.} + 0.4\% \text{ F.S.})$	YES	+ 1% rdg (66~200Hz)	70	90
	1K-10K	$\pm(1.4\% \text{ rdg.} + 0.6\% \text{ F.S.})$	YES	/	70	90
	10K-100K	$\pm(10\% \text{ rdg.} + 1\% \text{ F.S.})$	YES	/	70	90

9.2.4 External current sensor 1 Accuracy

Item	Specification	
Requirements	Humidity	30 ~ 75%RH
	Input waveform	Sine wave, common-mode voltage: 0V
	Frequency filter	Turn on to measure voltage or current of 200Hz
	30 minutes after warm-up time has passed.	

When the crest factor is 3

Range	CF=3					
2.5V	Frequency (Hz)	Accuracy(The following accuracy is the sum of the reading error and the range error)	Calibration Zero	When the line filter is turned ON	Temp.coefficient (23±5°C)ppm	Temp.coefficient (5-18°C/28-40°C)ppm
	0(DC)	$\pm(3\% \text{ F.S.})$	YES	/	400	600
	10-45	$\pm(3\% \text{ F.S.})$	YES	+ 0.5% rdg.	400	600
	45-66	$\pm(3\% \text{ F.S.})$	YES	+ 0.2% rdg.	400	600
	66-1K	$\pm(3\% \text{ F.S.})$	YES	+ 0.5% rdg (66~200Hz)	400	600
	1K-10K	$\pm(0.7\% \text{ rdg.} + 3\% \text{ F.S.})$	YES	/	400	600
10K-100K	$\pm(5\% \text{ rdg.} + 3\% \text{ F.S.})$	YES	/	400	600	
5V	0(DC)	$\pm(2\% \text{ F.S.})$	YES	/	200	300
	10-45	$\pm(2\% \text{ F.S.})$	YES	+ 0.5% rdg.	200	300
	45-66	$\pm(2\% \text{ F.S.})$	YES	+ 0.2% rdg.	200	300
	66-1K	$\pm(2\% \text{ F.S.})$	YES	+ 0.5% rdg (66~200Hz)	200	300
	1K-10K	$\pm(0.7\% \text{ rdg.} + 2\% \text{ F.S.})$	YES	/	200	300
	10K-100K	$\pm(5\% \text{ rdg.} + 2\% \text{ F.S.})$	YES	/	200	300
10V	0(DC)	$\pm(1.5\% \text{ F.S.})$	YES	/	100	150
	10-45	$\pm(1.5\% \text{ F.S.})$	YES	+ 0.5% rdg.	100	150
	45-66	$\pm(1.5\% \text{ F.S.})$	YES	+ 0.2% rdg.	100	150
	66-1K	$\pm(1.5\% \text{ F.S.})$	YES	+ 0.5% rdg (66~200Hz)	100	150
	1K-10K	$\pm(0.7\% \text{ rdg.} + 1.5\% \text{ F.S.})$	YES	/	100	150
	10K-100K	$\pm(5\% \text{ rdg.} + 1.5\% \text{ F.S.})$	YES	/	100	150

When the crest factor is 6

Range	CF=6					
1.25V	Frequency (HZ)	Accuracy(The following accuracy is the sum of the reading error and the range error)	Calibration Zero	When the line filter is turned ON	Temp.coefficient (23±5°C)ppm	Temp.coefficient (5-18°C/28-40°C)ppm
	0(DC)	±(6% F.S.)	YES	/	800	1200
	10-45	±(6% F.S.)	YES	+ 1% rdg.	800	1200
	45-66	±(6% F.S.)	YES	+ 0.4% rdg.	800	1200
	66-1K	±(6% F.S.)	YES	+ 1% rdg (66~200Hz)	800	1200
	1K-10K	±(1.4% rdg.+ 6% F.S.)	YES	/	800	1200
	10K-100K	±(10% rdg.+ 6% F.S.)	YES	/	800	1200
2.5V	0(DC)	±(4% F.S.)	YES	/	400	600
	10-45	±(4% F.S.)	YES	+ 1% rdg.	400	600
	45-66	±(4% F.S.)	YES	+ 0.4% rdg.	400	600
	66-1K	±(4% F.S.)	YES	+ 1% rdg (66~200Hz)	400	600
	1K-10K	±(1.4% rdg.+4% F.S.)	YES	/	400	600
	10K-100K	±(10% rdg.+ 4% F.S.)	YES	/	400	600
5V	0(DC)	±(3% F.S.)	YES	/	200	300
	10-45	±(3% F.S.)	YES	+ 1% rdg.	200	300
	45-66	±(3% F.S.)	YES	+ 0.4% rdg.	200	300
	66-1K	±(3% F.S.)	YES	+ 1% rdg (66~200Hz)	200	300
	1K-10K	±(1.4% rdg.+ 3% F.S.)	YES	/	200	300
	10K-100K	±(10% rdg.+ 3% F.S.)	YES	/	200	300

9.2.5 External current sensor 2 Accuracy

Item	Specification	
Requirements	Humidity	30 ~ 75%RH
	Input waveform	Sine wave, common-mode voltage: 0V
	Frequency filter	Turn on to measure voltage or current of 200Hz
	30 minutes after warm-up time has passed.	

When the crest factor is 3

Range	CF=3					
50mV	Frequency (HZ)	Accuracy(The following accuracy is the sum of the reading error and the range error)	Calibration Zero	When the line filter is turned ON	Temp.coefficient (23±5°C)ppm	Temp.coefficient (5-18°C/28-40°C)ppm
	0(DC)	±(3% F.S.)	YES	/	1000	1500
	10-45	±(3% F.S.)	YES	+ 0.5% rdg.	1000	1500
	45-66	±(3% F.S.)	YES	+ 0.2% rdg.	1000	1500
	66-1K	±(3% F.S.)	YES	+ 0.5% rdg (66~200Hz)	1000	1500
	1K-10K	±(0.7% rdg.+ 3% F.S.)	YES	/	1000	1500
	10K-100K	±(5% rdg.+ 3% F.S.)	YES	/	1000	1500
100mV	0(DC)	±(2% F.S.)	YES	/	500	800

	10-45	$\pm(2\% \text{ F.S.})$	YES	+ 0.5% rdg.	500	800
	45-66	$\pm(2\% \text{ F.S.})$	YES	+ 0.2% rdg.	500	800
	66-1K	$\pm(2\% \text{ F.S.})$	YES	+ 0.5% rdg (66~200Hz)	500	800
	1K-10K	$\pm(0.7\% \text{ rdg.} + 2\% \text{ F.S.})$	YES	/	500	800
	10K-100K	$\pm(5\% \text{ rdg.} + 2\% \text{ F.S.})$	YES	/	500	800
200mV	0(DC)	$\pm(1.5\% \text{ F.S.})$	YES	/	250	400
	10-45	$\pm(1.5\% \text{ F.S.})$	YES	+ 0.5% rdg.	250	400
	45-66	$\pm(1.5\% \text{ F.S.})$	YES	+ 0.2% rdg.	250	400
	66-1K	$\pm(1.5\% \text{ F.S.})$	YES	+ 0.5% rdg (66~200Hz)	250	400
	1K-10K	$\pm(0.7\% \text{ rdg.} + 1.5\% \text{ F.S.})$	YES	/	250	400
	10K-100K	$\pm(5\% \text{ rdg.} + 1.5\% \text{ F.S.})$	YES	/	250	400
500mV	0(DC)	$\pm(0.9\% \text{ F.S.})$	YES	/	100	150
	10-45	$\pm(0.9\% \text{ F.S.})$	YES	+ 0.5% rdg.	100	150
	45-66	$\pm(0.9\% \text{ F.S.})$	YES	+ 0.2% rdg.	100	150
	66-1K	$\pm(0.9\% \text{ F.S.})$	YES	+ 0.5% rdg (66~200Hz)	100	150
	1K-10K	$\pm(0.7\% \text{ rdg.} + 0.9\% \text{ F.S.})$	YES	/	100	150
	10K-100K	$\pm(5\% \text{ rdg.} + 0.9\% \text{ F.S.})$	YES	/	100	150
1V	0(DC)	$\pm(0.7\% \text{ F.S.})$	YES	/	60	80
	10-45	$\pm(0.7\% \text{ F.S.})$	YES	+ 0.5% rdg.	60	80
	45-66	$\pm(0.7\% \text{ F.S.})$	YES	+ 0.2% rdg.	60	80
	66-1K	$\pm(0.7\% \text{ F.S.})$	YES	+ 0.5% rdg (66~200Hz)	60	80
	1K-10K	$\pm(0.7\% \text{ rdg.} + 0.7\% \text{ F.S.})$	YES	/	60	80
	10K-100K	$\pm(5\% \text{ rdg.} + 0.7\% \text{ F.S.})$	YES	/	60	80
2V	0(DC)	$\pm(0.5\% \text{ F.S.})$	YES	/	35	45
	10-45	$\pm(0.5\% \text{ F.S.})$	YES	+ 0.5% rdg.	35	45
	45-66	$\pm(0.5\% \text{ F.S.})$	YES	+ 0.2% rdg.	35	45
	66-1K	$\pm(0.5\% \text{ F.S.})$	YES	+ 0.5% rdg (66~200Hz)	35	45
	1K-10K	$\pm(0.7\% \text{ rdg.} + 0.5\% \text{ F.S.})$	YES	/	35	45
	10K-100K	$\pm(5\% \text{ rdg.} + 0.5\% \text{ F.S.})$	YES	/	35	45

When the crest factor is 6

Range	CF=6					
25mV	Frequency (HZ)	Accuracy(The following accuracy is the sum of the reading error and the range error)	Calibration Zero	When the line filter is turned ON	Temp.coefficient (23 \pm 5 $^{\circ}$ C)ppm	Temp.coefficient (5-18 $^{\circ}$ C/28-40 $^{\circ}$ C)ppm
	0(DC)	$\pm(6\% \text{ F.S.})$	YES	/	2000	3000
	10-45	$\pm(6\% \text{ F.S.})$	YES	+ 1% rdg.	2000	3000
	45-66	$\pm(6\% \text{ F.S.})$	YES	+ 0.4% rdg.	2000	3000
	66-1K	$\pm(6\% \text{ F.S.})$	YES	+ 1% rdg (66~200Hz)	2000	3000
	1K-10K	$\pm(1.4\% \text{ rdg.} + 6\% \text{ F.S.})$	YES	/	2000	3000
	10K-100K	$\pm(10\% \text{ rdg.} + 6\% \text{ F.S.})$	YES	/	2000	3000
50mV	0(DC)	$\pm(6\% \text{ F.S.})$	YES	/	1000	1500
	10-45	$\pm(6\% \text{ F.S.})$	YES	+ 1% rdg.	1000	1500
	45-66	$\pm(6\% \text{ F.S.})$	YES	+ 0.4% rdg.	1000	1500
	66-1K	$\pm(6\% \text{ F.S.})$	YES	+ 1%rdg	1000	1500

				(66~200Hz)		
	1K-10K	$\pm(1.4\% \text{ rdg.} + 6\% \text{ F.S.})$	YES	/	1000	1500
	10K-100K	$\pm(10\% \text{ rdg.} + 6\% \text{ F.S.})$	YES	/	1000	1500
100mV	0(DC)	$\pm(3\% \text{ F.S.})$	YES	/	500	800
	10-45	$\pm(3\% \text{ F.S.})$	YES	+ 1% rdg.	500	800
	45-66	$\pm(3\% \text{ F.S.})$	YES	+ 0.4% rdg.	500	800
	66-1K	$\pm(3\% \text{ F.S.})$	YES	+ 1% rdg (66~200Hz)	500	800
	1K-10K	$\pm(1.4\% \text{ rdg.} + 3\% \text{ F.S.})$	YES	/	500	800
	10K-100K	$\pm(10\% \text{ rdg.} + 3\% \text{ F.S.})$	YES	/	500	800
250mV	0(DC)	$\pm(1.8\% \text{ F.S.})$	YES	/	200	300
	10-45	$\pm(1.8\% \text{ F.S.})$	YES	+ 1% rdg.	200	300
	45-66	$\pm(1.8\% \text{ F.S.})$	YES	+ 0.4% rdg.	200	300
	66-1K	$\pm(1.8\% \text{ F.S.})$	YES	+ 1% rdg (66~200Hz)	200	300
	1K-10K	$\pm(1.4\% \text{ rdg.} + 1.8\% \text{ F.S.})$	YES	/	200	300
	10K-100K	$\pm(10\% \text{ rdg.} + 1.8\% \text{ F.S.})$	YES	/	200	300
0.5V	0(DC)	$\pm(1.4\% \text{ F.S.})$	YES	/	120	160
	10-45	$\pm(1.4\% \text{ F.S.})$	YES	+ 1% rdg.	120	160
	45-66	$\pm(1.4\% \text{ F.S.})$	YES	+ 0.4% rdg.	120	160
	66-1K	$\pm(1.4\% \text{ F.S.})$	YES	+ 1% rdg (66~200Hz)	120	160
	1K-10K	$\pm(1.4\% \text{ rdg.} + 1.4\% \text{ F.S.})$	YES	/	120	160
	10K-100K	$\pm(10\% \text{ rdg.} + 1.4\% \text{ F.S.})$	YES	/	120	160
1V	0(DC)	$\pm(1\% \text{ F.S.})$	YES	/	70	90
	10-45	$\pm(1\% \text{ F.S.})$	YES	+ 1% rdg.	70	90
	45-66	$\pm(1\% \text{ F.S.})$	YES	+ 0.4% rdg.	70	90
	66-1K	$\pm(1\% \text{ F.S.})$	YES	+ 1% rdg (66~200Hz)	70	90
	1K-10K	$\pm(1.4\% \text{ rdg.} + 1\% \text{ F.S.})$	YES	/	70	90
	10K-100K	$\pm(10\% \text{ rdg.} + 1\% \text{ F.S.})$	YES	/	70	90

Waveform display and peak display data are reference values.

9.2.6 Active Power Accuracy

Item	Specification	
Requirements	Humidity	30 ~ 75%RH
	Input waveform	Sine wave, common-mode voltage: 0V, power factor: 1
	Frequency filter	Turn on to measure voltage or current of 200Hz
	30 minutes after warm-up time has passed.	

Resolution

Range		Voltage Range						
		15V	30V	60V	150V	300V	600V	1000V
Current Range	5mA	0.001mW	0.01mW	0.01mW	0.01mW	0.1mW	0.1mW	0.1mW
	10mA	0.01mW	0.01mW	0.01mW	0.1mW	0.1mW	0.1mW	1mW
	20mA	0.01mW	0.01mW	0.01mW	0.1mW	0.1mW	1mW	1mW
	50mA	0.01mW	0.1mW	0.1mW	1mW	1mW	1mW	1mW
	100mA	0.1mW	0.1mW	0.1mW	1mW	1mW	1mW	10mW
	200mA	0.1mW	0.1mW	1mW	1mW	1mW	10mW	10mW

	500mA	0.1mW	1mW	1mW	1mW	10mW	10mW	10mW
	1A	1mW	1mW	1mW	10mW	10mW	10mW	0.1W
	2A	1mW	1mW	10mW	10mW	10mW	0.1W	0.1W
	5A	1mW	10mW	10mW	10mW	0.1W	0.1W	0.1W
	10A	10mW	10mW	10mW	0.1W	0.1W	0.1W	1W
	20A	10mW	10mW	0.1W	0.1W	0.1W	1W	1W

When the crest factor is 3

CF=3						
Frequency (HZ)	Accuracy(The following accuracy is the sum of the reading error and the range error)	Calibration Zero	When the line filter is turned ON	Temp.coefficient (23±5°C)ppm	Temp.coefficient (5-18°C/28-40°C)ppm	
0(DC)	±(0.1% rdg.+ 0.2% F.S.)	YES	/	The temperature coefficient of the current/voltage range takes the higher value.	The temperature coefficient of the current/voltage range takes the higher value.	
10-45	±(0.3% rdg.+ 0.2% F.S.)	YES	+ 1% rdg.			
45-66	±(0.1% rdg.+ 0.1% F.S.)	YES	+ 0.3% rdg.			
66-1K	±(0.2% rdg.+ 0.2% F.S.)	YES	+1% rdg (66~200Hz)			
1K-10K	±(0.7% rdg.+ 0.3% F.S.)	YES	/			
10K-100K	±(5% rdg.+ 0.5% F.S.)	YES	/			

Influence of power factor:	<p>When the power factor is 0, the accuracy is increased by $\pm\{(0.2+0.2*f)\%$ of S } in basic accuracy. (S: apparent power, f is frequency of input signal in kHz.)</p> <p>When the power factor is 0~1, the accuracy is increased by $\{(power\ reading)^*(power\ reading\ error)\%+(power\ range\ error)\%*(power\ range/indicated\ apparent\ power\ value)+\tan\phi * 0.2\% * S\}$ in basic accuracy. (S: apparent power, Φ: phase angle of the Voltage and current)</p>
----------------------------	--

When the crest factor is 6

CF=6						
Frequency (HZ)	Accuracy(The following accuracy is the sum of the reading error and the range error)	Calibration Zero	When the line filter is turned ON	Temp.coefficient (23±5°C)ppm	Temp.coefficient (5-18°C/28-40°C)ppm	
0(DC)	±(0.2% rdg.+ 0.4% F.S.)	YES	/	The temperature coefficient of the current/voltage range takes the higher value.	The temperature coefficient of the current/voltage range takes the higher value.	
10-45	±(0.6% rdg.+ 0.4% F.S.)	YES	+ 2% rdg.			
45-66	±(0.2% rdg.+ 0.2% F.S.)	YES	+ 0.6% rdg.			
66-1K	±(0.4% rdg.+ 0.4% F.S.)	YES	+ 2% rdg (66~200Hz)			
1K-10K	±(1.4% rdg.+ 0.6% F.S.)	YES	/			
10K-100K	±(10% rdg.+ 1% F.S.)	YES	/			

Influence of power factor:	<p>When the power factor is 0, the accuracy is increased by $\pm\{(0.4+0.4*f)\%$ of S } in basic accuracy. (S: apparent power, f is frequency of input signal in kHz.)</p> <p>When the power factor is 0~1, the accuracy is increased by $\{2*(power\ reading)^*(power\ reading\ error)\%+ 2*(power\ range\ error)\%*(power\ range/indicated\ apparent\ power\ value)+ 2*\tan\phi * 0.2\% * S\}$ in basic accuracy. (S: apparent power, Φ: phase angle of the Voltage and current)</p>
----------------------------	--

	and current)
--	--------------

9.2.7 Apparent Power Accuracy

(Turn on the frequency filter, when the frequency of measurement voltage or current is less than or equal to 200Hz.)

Resolution

Range		Voltage Range						
		15V	30V	60V	150V	300V	600V	1000V
Current Range	5mA	0.001mVA	0.01mVA	0.01mVA	0.01mVA	0.1mVA	0.1mVA	0.1mVA
	10mA	0.01mVA	0.01mVA	0.01mVA	0.1mVA	0.1mVA	0.1mVA	1mVA
	20mA	0.01mVA	0.01mVA	0.01mVA	0.1mVA	0.1mVA	1mVA	1mVA
	50mA	0.01mVA	0.1mVA	0.1mVA	1mVA	1mVA	1mVA	1mVA
	100mA	0.1mVA	0.1mVA	0.1mVA	1mVA	1mVA	1mVA	10mVA
	200mA	0.1mVA	0.1mVA	1mVA	1mVA	1mVA	10mVA	10mVA
	500mA	0.1mVA	1mVA	1mVA	1mVA	10mVA	10mVA	10mVA
	1A	1mVA	1mVA	1mVA	10mVA	10mVA	10mVA	0.1VA
	2A	1mVA	1mVA	10mVA	10mVA	10mVA	0.1VA	0.1VA
	5A	1mVA	10mVA	10mVA	10mVA	0.1VA	0.1VA	0.1VA
	10A	10mVA	10mVA	10mVA	0.1VA	0.1VA	0.1VA	1VA
20A	10mVA	10mVA	0.1VA	0.1VA	0.1VA	1VA	1VA	

When the crest factor is 3

CF=3						
Frequency (HZ)	Accuracy(The following accuracy is the sum of the reading error and the range error)	Calibration Zero	When the line filter is turned ON	Temp.coefficient (23±5°C)ppm	Temp.coefficient (5-18°C/28-40°C)ppm	
0(DC)	±(0.2% rdg.+ 0.4% F.S.)	YES	/	The temperature coefficient of the current/voltage range takes the higher value.	The temperature coefficient of the current/voltage range takes the higher value.	
10-45	±(0.2% rdg.+ 0.4% F.S.)	YES	+ 1% rdg.			
45-66	±(0.2% rdg.+ 0.2% F.S.)	YES	+ 0.4% rdg.			
66-1K	±(0.2% rdg.+ 0.4% F.S.)	YES	+ 1% rdg(66~200Hz)			
1K-10K	±(1.4% rdg.+ 0.6% F.S.)	YES	/			
10K-100K	±(10% rdg.+ 1% F.S.)	YES	/			

When the crest factor is 6

CF=6						
Frequency (HZ)	Accuracy(The following accuracy is the sum of the reading error and the range error)	Calibration Zero	When the line filter is turned ON	Temp.coefficient (23±5°C)ppm	Temp.coefficient (5-18°C/28-40°C)ppm	
0(DC)	±(0.4% rdg.+ 0.8% F.S.)	YES	/	The temperature coefficient of the current/voltage range takes the higher value.	The temperature coefficient of the current/voltage range takes the higher value.	
10-45	±(0.4% rdg.+ 0.8% F.S.)	YES	+ 2% rdg.			
45-66	±(0.4% rdg.+ 0.4% F.S.)	YES	+ 0.8% rdg.			
66-1K	±(0.4% rdg.+ 0.8% F.S.)	YES	+ 2% rdg(66~200Hz)			
1K-10K	±(2.8% rdg.+ 1.2% F.S.)	YES	/			
10K-100K	±(20% rdg.+ 2% F.S.)	YES	/			

OK					
Accuracy of power Factor	$\pm[(PF-PF/1.0002)+ \cos\phi-\cos\{\phi+\sin^{-1}((0.2+0.2*f)\%/100)\}]\pm 1\text{dgt}$ (f is frequency of input signal in kHz.) The voltage and current values are in rated range, ϕ is the phase difference between the Voltage and current.				
Accuracy of phase difference	$\pm[\phi-\cos^{-1}(PF/1.0002) +\sin^{-1}\{(0.2+0.2*f)\%/100\}]\text{deg}\pm 1\text{dgt}$ (f is frequency of input signal in kHz.) The voltage and current values are in rated range.				

9.2.8 Reactive power Accuracy

(Turn on the frequency filter, when the frequency of measurement voltage or current is less than or equal to 200Hz.)

Resolution

Range		Voltage Range						
		15V	30V	60V	150V	300V	600V	1000V
Current Range	5mA	0.001mvar	0.01mvar	0.01mvar	0.01mvar	0.1mvar	0.1mvar	0.1mvar
	10mA	0.01mvar	0.01mvar	0.01mvar	0.1mvar	0.1mvar	0.1mvar	1mvar
	20mA	0.01mvar	0.01mvar	0.01mvar	0.1mvar	0.1mvar	1mvar	1mvar
	50mA	0.01mvar	0.1mvar	0.1mvar	1mvar	1mvar	1mvar	1mvar
	100mA	0.1mvar	0.1mvar	0.1mvar	1mvar	1mvar	1mvar	10mvar
	200mA	0.1mvar	0.1mvar	1mvar	1mvar	1mvar	10mvar	10mvar
	500mA	0.1mvar	1mvar	1mvar	1mvar	10mvar	10mvar	10mvar
	1A	1mvar	1mvar	1mvar	10mvar	10mvar	10mvar	0.1var
	2A	1mvar	1mvar	10mvar	10mvar	10mvar	0.1var	0.1var
	5A	1mvar	10mvar	10mvar	10mvar	0.1var	0.1var	0.1var
	10A	10mvar	10mvar	10mvar	0.1var	0.1var	0.1var	1var
20A	10mvar	10mvar	0.1var	0.1var	0.1var	1var	1var	

When the crest factor is 3

CF=3					
Frequency (HZ)	Accuracy(The following accuracy is the sum of the reading error and the range error)	Calibration Zero	When the line filter is turned ON	Temp.coefficient (23±5°C)ppm	Temp.coefficient (5-18°C/28-40°C)ppm
0(DC)	$\pm(0.2\% \text{ rdg.} + 0.4\% \text{ F.S.} + (\sqrt{1.0004 - PF^2} - \sqrt{1 - PF^2}) \times 100\% \text{ F.S.})$	YES	/	The temperature coefficient of the current/voltage range takes the higher value.	The temperature coefficient of the current/voltage range takes the higher value.
10-45	$\pm(0.2\% \text{ rdg.} + 0.4\% \text{ F.S.} + (\sqrt{1.0004 - PF^2} - \sqrt{1 - PF^2}) \times 100\% \text{ F.S.})$	YES	+ 1% rdg.		
45-66	$\pm(0.2\% \text{ rdg.} + 0.2\% \text{ F.S.} + (\sqrt{1.0004 - PF^2} - \sqrt{1 - PF^2}) \times 100\% \text{ F.S.})$	YES	+ 0.4% rdg.		

	F.S.)				
66-1K	$\pm(0.2\% \text{ rdg.} + 0.4\% \text{ F.S.} + (\sqrt{1.0004 - \text{PF}^2} - \sqrt{1 - \text{PF}^2}) \times 100\% \text{ F.S.})$	YES	+ 1% rdg (66~200Hz)		
1K-10K	$\pm(1.4\% \text{ rdg.} + 0.6\% \text{ F.S.} + (\sqrt{1.0004 - \text{PF}^2} - \sqrt{1 - \text{PF}^2}) \times 100\% \text{ F.S.})$	YES	/		
10K-100K	$\pm(10\% \text{ rdg.} + 1\% \text{ F.S.} + (\sqrt{1.0004 - \text{PF}^2} - \sqrt{1 - \text{PF}^2}) \times 100\% \text{ F.S.})$	YES	/		

When the crest factor is 6

CF=6					
Frequency (HZ)	Accuracy(The following accuracy is the sum of the reading error and the range error)	Calibration Zero	When the line filter is turned ON	Temp.coefficient (23±5°C)ppm	Temp.coefficient (5-18°C/28-40°C)ppm
0(DC)	$\pm(0.4\% \text{ rdg.} + 0.8\% \text{ F.S.} + (\sqrt{1.0004 - \text{PF}^2} - \sqrt{1 - \text{PF}^2}) \times 2 \times 100\% \text{ F.S.})$	YES	/	The temperature coefficient of the current/voltage range takes the higher value.	The temperature coefficient of the current/voltage range takes the higher value.
10-45	$\pm(0.4\% \text{ rdg.} + 0.8\% \text{ F.S.} + (\sqrt{1.0004 - \text{PF}^2} - \sqrt{1 - \text{PF}^2}) \times 2 \times 100\% \text{ F.S.})$	YES	+ 2% rdg.		
45-66	$\pm(0.4\% \text{ rdg.} + 0.4\% \text{ F.S.} + (\sqrt{1.0004 - \text{PF}^2} - \sqrt{1 - \text{PF}^2}) \times 2 \times 100\% \text{ F.S.})$	YES	+ 0.8% rdg.		
66-1K	$\pm(0.4\% \text{ rdg.} + 0.8\% \text{ F.S.} + (\sqrt{1.0004 - \text{PF}^2} - \sqrt{1 - \text{PF}^2}) \times 2 \times 100\% \text{ F.S.})$	YES	+ 2% rdg (66~200Hz)		
1K-10K	$\pm(2.8\% \text{ rdg.} + 1.2\% \text{ F.S.} + (\sqrt{1.0004 - \text{PF}^2} - \sqrt{1 - \text{PF}^2}) \times 2 \times 100\% \text{ F.S.})$	YES	/		
10K-100K	$\pm(20\% \text{ rdg.} + 2\% \text{ F.S.} + (\sqrt{1.0004 - \text{PF}^2} - \sqrt{1 - \text{PF}^2}) \times 2 \times 100\% \text{ F.S.})$	YES	/		

9.2.9 Frequency Measurement

Item	Specification	
Frequency measurement range	Data update interval	Measurement range
	0.1s	$25\text{Hz} \leq f \leq 100\text{kHz}$
	0.25s	$10\text{Hz} \leq f \leq 100\text{kHz}$
	0.5s	$5\text{Hz} \leq f \leq 100\text{kHz}$
	1s	$2.5\text{Hz} \leq f \leq 100\text{kHz}$
	2s	$1.5\text{Hz} \leq f \leq 50\text{kHz}$
	5s	$0.5\text{Hz} \leq f \leq 20\text{kHz}$
Accuracy	Accuracy: $\pm(0.06\%$ of reading) Requirements: When crest factor is set to 3, the input signal level is greater than or equal to 20% of the measurement range. When crest factor is set to 6, the input signal level is greater than or equal to 40% of the measurement range. Turn on the frequency filter, when the frequency of measurement voltage or current is less than or equal to 200Hz.	

Resolution

Range	Resolution
$f < 10\text{Hz}$	0.001 Hz
$10\text{Hz} \leq f < 100\text{Hz}$	0.01 Hz
$100\text{Hz} \leq f < 1000\text{Hz}$	0.1 Hz
$1\text{kHz} \leq f < 10\text{kHz}$	1 Hz
$10\text{kHz} \leq f < 100\text{kHz}$	10 Hz

9.2.10 Harmonic Measurement

Select voltage or current of each input element.

When PF=3, the input level is equal to or greater than 50% of the rated range.
 When PF=6, the input level is equal to or greater than 100% of the rated range.
 When fundamental frequency is less than or equal to 200Hz, the frequency filter must be opened.

When line filter is off, the accuracy shown below is the sum of reading and range errors.

Frequency	Voltage	Current	Power
$10\text{Hz} \leq f < 45\text{Hz}$	$\pm(0.15\% \text{ rdg.} + 0.35\% \text{ F.S.})$	$\pm(0.15\% \text{ rdg.} + 0.35\% \text{ F.S.})$	$\pm(0.15\% \text{ rdg.} + 0.50\% \text{ F.S.})$
$45\text{Hz} \leq f \leq 440\text{Hz}$	$\pm(0.15\% \text{ rdg.} + 0.35\% \text{ F.S.})$	$\pm(0.15\% \text{ rdg.} + 0.35\% \text{ F.S.})$	$\pm(0.25\% \text{ rdg.} + 0.50\% \text{ F.S.})$
$440\text{Hz} < f \leq 1\text{kHz}$	$\pm(0.20\% \text{ rdg.} + 0.35\% \text{ F.S.})$	$\pm(0.20\% \text{ rdg.} + 0.35\% \text{ F.S.})$	$\pm(0.40\% \text{ rdg.} + 0.50\% \text{ F.S.})$
$1\text{kHz} < f \leq 2.5\text{kHz}$	$\pm(0.80\% \text{ rdg.} + 0.45\% \text{ F.S.})$	$\pm(0.80\% \text{ rdg.} + 0.45\% \text{ F.S.})$	$\pm(1.56\% \text{ rdg.} + 0.60\% \text{ F.S.})$
$2.5\text{kHz} < f \leq 5\text{kHz}$	$\pm(3.05\% \text{ rdg.} + 0.45\% \text{ F.S.})$	$\pm(3.05\% \text{ rdg.} + 0.45\% \text{ F.S.})$	$\pm(5.77\% \text{ rdg.} + 0.60\% \text{ F.S.})$

FFT data length: 1024.

Window function: Rectangle.

The fundamental frequency, sample rate, window width and upper limit of analysis orders are as follows:

Fundamental frequency	Sample rate	Window width	Upper limit of analysis orders
10Hz ~ 76Hz	f*1024	1	50
76Hz ~ 152Hz	f*512	2	32
152Hz ~ 305Hz	f*256	4	16
305Hz ~ 610Hz	f *128	8	8
610Hz ~ 1500Hz	f*64	16	4

The upper limit of analysis orders can be decrease.

9.2.11 Integration

Mode	MANUAL, TIME and TInterval
Integral interval range	0000h00m00s~10000h00m00s
Overflowing count	When the integral interval is up to the maximum intergral interval(10000h) or the integral value is up to the maximum or minimum display integral value, the integration operation will stop and hold the integral interval and value of this point. *WP: ± 99999 MWh q: ± 99999 MAh
Accuracy	Power: \pm (power accuracy +0.02% \times WS) Current: Select value except the current dc: \pm (current accuracy + 0.02% of the reading value). Select the current dc: \pm (current accuracy + 0.02 of the rangexIntegral interval (h)%)

9.2.12 Oscilloscope Function

Grid numbers	300
Display format	p-p compressed data
Sample rate	100 kS/s approximately
Time axis	Select scale from: 500us/div、1ms/div、2ms/div、5ms/div、10ms/div、20ms/div、50ms/div、100ms/div、200ms/div、500ms/div。
Trigger type	Edge
Trigger mode	Auto, Normal or Single.
Trigger source	select the trigger source from the input signal of the input unit and the external clock signal.
Trigger edge	Rising edge, falling edge or arbitrary edge.
Trigger level	<ul style="list-style-type: none"> When the trigger source is the voltage or current of the input unit, the setting range is from the center of the screen to the top(+100%) and bottom(-100%). Resolution: 0.1%. When the trigger source is the external clock signal, the trigger level is TTL.
Vertical axis	Voltage waveform display: (one-third of the voltage range)/div Current waveform display: (one-third of the current range)/div
Turn on or off the waveform display	You can turn on or off each voltage or current waveform display.

9.2.13 Interface

USB Interface

Item	Specification
Interface type	Type B (socket)
Electrical and mechanical specifications	USB 2.0
Transmission speed	Maximum speed is 12Mbps
Port number	1
Power supply	Self-powered

Support service	Remote control
Support system	Run PC with Windows 7(SP4 version or update version), Windows XP or Windows Vista, standard USB interface.

USB peripheral equipment interface

Item	Specification
Interface type	Type A (socket)
Electrical and mechanical specifications	USB 2.0
Transmission speed	Maximum speed is 12Mbps
Port number	1
Power supply	Power supply 5V、500mA2 (per port)
Support USB large capacity memory	USB flash memory (meet USB Mass Storage Class Specification)
Support system	Run PC with Windows 7(SP4 version or update version), Windows XP or Windows Vista, standard USB interface.

GPIB Interface(Only for IT9100(G) series)

Item	Specification
Available equipment	America NI Company <ul style="list-style-type: none"> • AT-GPIB • PCI-GPIB or PCI-GPIB+ • PCMCIA-GPIB, PCMCIA-GPIB+ or PCIe-GPIB Drive program: NI-488.2M 1.60 or update version
Electrical and mechanical specifications	IEEE St'd 488-1978 (JIS C 1901-1987)
Functional specification	SH1, AH1, T6, L4, SR1, RL1, PP0, DC1, DT1, C0
Protocol	IEEE St'd 488.2-1992
Encoding	ISO (ASCII)
Mode	The address mode can be set.

Serial port (RS-232)

Item	Specification
Electrical Specification	Comply with EIA-232(RS-232) standard
Connection type	Point to point
Communication type	Full duplex
Synchronization	Start and stop can be synchronized.
Baud rate	The baud rate can be set(Default: 9600)
Start bit	1bit
Data length	7 or 8 bits
Parity bit	EVEN, ODD or None
Stop bit	1 or 2 bits

Ethernet Communication

Item	Specification
Port number	1

Interface	RJ-45
Electrical and mechanical specifications	IEEE802.3
Transmission system	Ethernet (100BASE-TX)
Transmission speed	Maximum speed: 100Mbps
Communication protocol	TCP/IP
Support equipment	FTP service、DHCP、DNS、Remote control (VXI-11)

Please contact ITECH for the corresponding information about the supportable USB device.

*The above specifications may be subject to change without prior notice.

9.3 IT9121C Specification

9.3.1 General Specification

AC input voltage	100VAC—240VAC 47-63HZ
Operating Environment	Temperature: 5°C—40°C
	Humidity: 30 ~ 75% (non-condensation)
Installation	Indoors
Maximum power consumption	50VA
Measurement wires	Single-phase, two-wire(1P2W)
Environmental requirements for the instrument calibration	Refer to the calibration report.
Period of validity of calibration	Six month
Maximum rated input voltage	600VRMS 1800VPEAK
Maximum rated input current	50ARMS 150APEAK
Input impedance	Voltage: Approx 2MR, Current: Approx 0.5R(small range)0.018R(large range), EX1: Approx 100K, EX2: Approx 20K
Maximum rated voltage to ground	600VRMS 47-63HZ
Valid input range	1% to110% of the range (1% to 100% for 50A range)
Weight	2.6kg
Dimension	255mmW×107.7mmH×387.3mmD

9.3.2 Voltage Accuracy

Item	Specification	
Requirements	Humidity	30 ~ 75%RH
	Input waveform	Sine wave, common-mode voltage: 0V
	Frequency filter	Turn on to measure voltage or current of 200Hz
	30 minutes after warm-up time has passed.	

Resolution

Range	Resolution
15V	1mV
30V	1mV
60V	1mV
150V	10mV
300V	10mV
600V	10mV

When the crest factor is 3

Range	CF=3					
15V, 30V, 60V, 150V, 300V, 600V	Frequency (HZ)	Accuracy(The following accuracy is the sum of the reading error and the range error)	Calibration Zero	When the line filter is turned ON	Temp.coefficient (23±5°C)ppm	Temp.coefficient (5-18°C/28-40°C)ppm
	0(DC)	±(0.1% rdg.+ 0.2% F.S.)	YES	/	200	300
	10-45	±(0.1% rdg.+ 0.2% F.S.)	YES	+ 0.5% rdg.	200	300
	45-66	±(0.1% rdg.+ 0.1% F.S.)	YES	+ 0.2% rdg.	200	300
	66-1K	±(0.1% rdg.+ 0.2% F.S.)	YES	+ 0.5% rdg(66~200Hz)	200	300
	1K-10K	±(0.7% rdg.+ 0.3% F.S.)	YES	/	200	300
	10K-100K	±(5% rdg.+ 0.5% F.S.)	YES	/	200	300

When the crest factor is 6

Range	CF=6					
7.5V, 15V, 30V, 75V, 150V, 300V	Frequency (HZ)	Accuracy(The following accuracy is the sum of the reading error and the range error)	Calibration Zero	When the line filter is turned ON	Temp.coefficient (23±5°C)ppm	Temp.coefficient (5-18°C/28-40°C)ppm
	0(DC)	±(0.2% rdg.+ 0.4% F.S.)	YES	/	400	600
	10-45	±(0.2% rdg.+ 0.4% F.S.)	YES	+ 1% rdg.	400	600
	45-66	±(0.2% rdg.+ 0.2% F.S.)	YES	+0.4%rdg.	400	600
	66-1K	±(0.2% rdg.+ 0.4% F.S.)	YES	+ 1% rdg (66~200Hz)	400	600
	1K-10K	±(1.4% rdg.+ 0.6% F.S.)	YES	/	400	600
	10K-100K	±(10% rdg.+ 1% F.S.)	YES	/	400	600

9.3.3 Current Accuracy

Item	Specification	
Requirements	Humidity	30 ~ 75%RH
	Input waveform	Sine wave, common-mode voltage: 0V
	Frequency filter	Turn on to measure voltage or current of 200Hz
	30 minutes after warm-up time has passed.	

Resolution

Range	Resolution
1A	0.1 mA
2A	0.1 mA
5A	0.1 mA
10A	1 mA
20A	1 mA
50A	1 mA

When the crest factor is 3

Range	CF=3					
	Frequency (HZ)	Accuracy(The following accuracy is the sum of the reading error and the range error)	Calibration Zero	When the line filter is turned ON	Temp.coefficient (23±5°C)ppm	Temp.coefficient (5-18°C/28-40°C)ppm
1A	0(DC)	±(0.1% rdg.+ 0.2% F.S.)	YES	/	1000	1500
	10-45	±(0.1% rdg.+ 0.2% F.S.)	YES	+ 0.5% rdg.	1000	1500
	45-66	±(0.1% rdg.+ 0.1% F.S.)	YES	+ 0.2% rdg.	1000	1500
	66-1K	±(0.1% rdg.+ 0.2% F.S.)	YES	+ 0.5% rdg (66~200Hz)	1000	1500
	1K-10K	±(0.7% rdg.+ 0.3% F.S.)	YES	/	1000	1500
	10K-100K	±(5% rdg.+ 0.5% F.S.)	YES	/	1000	1500
2A	0(DC)	±(0.1% rdg.+ 0.2% F.S.)	YES	/	500	800
	10-45	±(0.1% rdg.+ 0.2% F.S.)	YES	+ 0.5% rdg.	500	800
	45-66	±(0.1% rdg.+ 0.1% F.S.)	YES	+ 0.2% rdg.	500	800
	66-1K	±(0.1% rdg.+ 0.2% F.S.)	YES	+ 0.5% rdg (66~200Hz)	500	800
	1K-10K	±(0.7% rdg.+ 0.3% F.S.)	YES	/	500	800
	10K-100K	±(5% rdg.+ 0.5% F.S.)	YES	/	500	800
5A	0(DC)	±(0.1% rdg.+ 0.2% F.S.)	YES	/	250	400
	10-45	±(0.1% rdg.+ 0.2% F.S.)	YES	+ 0.5% rdg.	250	400
	45-66	±(0.1% rdg.+ 0.1% F.S.)	YES	+ 0.2% rdg.	250	400
	66-1K	±(0.1% rdg.+ 0.2% F.S.)	YES	+ 0.5% rdg (66~200Hz)	250	400
	1K-10K	±(0.7% rdg.+ 0.3% F.S.)	YES	/	250	400
	10K-100K	±(5% rdg.+ 0.5% F.S.)	YES	/	250	400
10A	0(DC)	±(0.1% rdg.+ 0.2% F.S.)	YES	/	100	150
	10-45	±(0.1% rdg.+ 0.2% F.S.)	YES	+ 0.5% rdg.	100	150
	45-66	±(0.1% rdg.+ 0.1% F.S.)	YES	+ 0.2% rdg.	100	150
	66-1K	±(0.1% rdg.+ 0.2% F.S.)	YES	+ 0.5% rdg (66~200Hz)	100	150
	1K-10K	±(0.7% rdg.+ 0.3% F.S.)	YES	/	100	150
	10K-100K	±(5% rdg.+ 0.5% F.S.)	YES	/	100	150
20A	0(DC)	±(0.1% rdg.+ 0.2% F.S.)	YES	/	60	80
	10-45	±(0.1% rdg.+ 0.2% F.S.)	YES	+ 0.5% rdg.	60	80
	45-66	±(0.1% rdg.+ 0.1% F.S.)	YES	+ 0.2% rdg.	60	80
	66-1K	±(0.1% rdg.+ 0.2% F.S.)	YES	+ 0.5% rdg (66~200Hz)	60	80
	1K-10K	±(0.7% rdg.+ 0.3% F.S.)	YES	/	60	80
	10K-100K	±(5% rdg.+ 0.5% F.S.)	YES	/	60	80

50A	0(DC)	$\pm(0.1\% \text{ rdg.} + 0.2\% \text{ F.S.})$	YES	/	35	45
	10-45	$\pm(0.1\% \text{ rdg.} + 0.2\% \text{ F.S.})$	YES	+ 0.5% rdg.	35	45
	45-66	$\pm(0.1\% \text{ rdg.} + 0.1\% \text{ F.S.})$	YES	+ 0.2% rdg.	35	45
	66-1K	$\pm(0.1\% \text{ rdg.} + 0.2\% \text{ F.S.})$	YES	+ 0.5% rdg. (66~200Hz)	35	45
	1K-10K	$\pm(0.7\% \text{ rdg.} + 0.3\% \text{ F.S.})$	YES	/	35	45
	10K-100K	$\pm(5\% \text{ rdg.} + 0.5\% \text{ F.S.})$	YES	/	35	45

When the crest factor is 6

Range	CF=6					
0.5A	0(DC)	$\pm(0.2\% \text{ rdg.} + 0.4\% \text{ F.S.})$	YES	/	2000	3000
	10-45	$\pm(0.2\% \text{ rdg.} + 0.4\% \text{ F.S.})$	YES	+ 1% rdg.	2000	3000
	45-66	$\pm(0.2\% \text{ rdg.} + 0.2\% \text{ F.S.})$	YES	+ 0.4% rdg.	2000	3000
	66-1K	$\pm(0.2\% \text{ rdg.} + 0.4\% \text{ F.S.})$	YES	+ 1% rdg. (66~200Hz)	2000	3000
	1K-10K	$\pm(1.4\% \text{ rdg.} + 0.6\% \text{ F.S.})$	YES	/	2000	3000
	10K-100K	$\pm(10\% \text{ rdg.} + 1\% \text{ F.S.})$	YES	/	2000	3000
1A	0(DC)	$\pm(0.2\% \text{ rdg.} + 0.4\% \text{ F.S.})$	YES	/	1000	1500
	10-45	$\pm(0.2\% \text{ rdg.} + 0.4\% \text{ F.S.})$	YES	+ 1% rdg.	1000	1500
	45-66	$\pm(0.2\% \text{ rdg.} + 0.2\% \text{ F.S.})$	YES	+ 0.4% rdg.	1000	1500
	66-1K	$\pm(0.2\% \text{ rdg.} + 0.4\% \text{ F.S.})$	YES	+ 1% rdg. (66~200Hz)	1000	1500
	1K-10K	$\pm(1.4\% \text{ rdg.} + 0.6\% \text{ F.S.})$	YES	/	1000	1500
	10K-100K	$\pm(10\% \text{ rdg.} + 1\% \text{ F.S.})$	YES	/	1000	1500
2.5A	0(DC)	$\pm(0.2\% \text{ rdg.} + 0.4\% \text{ F.S.})$	YES	/	500	800
	10-45	$\pm(0.2\% \text{ rdg.} + 0.4\% \text{ F.S.})$	YES	+ 1% rdg.	500	800
	45-66	$\pm(0.2\% \text{ rdg.} + 0.2\% \text{ F.S.})$	YES	+ 0.4% rdg.	500	800
	66-1K	$\pm(0.2\% \text{ rdg.} + 0.4\% \text{ F.S.})$	YES	+ 1% rdg. (66~200Hz)	500	800
	1K-10K	$\pm(1.4\% \text{ rdg.} + 0.6\% \text{ F.S.})$	YES	/	500	800
	10K-100K	$\pm(10\% \text{ rdg.} + 1\% \text{ F.S.})$	YES	/	500	800
5A	0(DC)	$\pm(0.2\% \text{ rdg.} + 0.4\% \text{ F.S.})$	YES	/	200	300
	10-45	$\pm(0.2\% \text{ rdg.} + 0.4\% \text{ F.S.})$	YES	+ 1% rdg.	200	300
	45-66	$\pm(0.2\% \text{ rdg.} + 0.2\% \text{ F.S.})$	YES	+ 0.4% rdg.	200	300
	66-1K	$\pm(0.2\% \text{ rdg.} + 0.4\% \text{ F.S.})$	YES	+ 1% rdg. (66~200Hz)	200	300
	1K-10K	$\pm(1.4\% \text{ rdg.} + 0.6\% \text{ F.S.})$	YES	/	200	300
	10K-100K	$\pm(10\% \text{ rdg.} + 1\% \text{ F.S.})$	YES	/	200	300
10A	0(DC)	$\pm(0.2\% \text{ rdg.} + 0.4\% \text{ F.S.})$	YES	/	120	160
	10-45	$\pm(0.2\% \text{ rdg.} + 0.4\% \text{ F.S.})$	YES	+ 1% rdg.	120	160

	45-66	$\pm(0.2\% \text{ rdg.} + 0.2\% \text{ F.S.})$	YES	+ 0.4% rdg.	120	160
	66-1K	$\pm(0.2\% \text{ rdg.} + 0.4\% \text{ F.S.})$	YES	+ 1% rdg(66~200Hz)	120	160
	1K-10K	$\pm(1.4\% \text{ rdg.} + 0.6\% \text{ F.S.})$	YES	/	120	160
	10K-100K	$\pm(10\% \text{ rdg.} + 1\% \text{ F.S.})$	YES	/	120	160
25A	0(DC)	$\pm(0.2\% \text{ rdg.} + 0.4\% \text{ F.S.})$	YES	/	70	90
	10-45	$\pm(0.2\% \text{ rdg.} + 0.4\% \text{ F.S.})$	YES	+ 1% rdg.	70	90
	45-66	$\pm(0.2\% \text{ rdg.} + 0.2\% \text{ F.S.})$	YES	+ 0.4% rdg.	70	90
	66-1K	$\pm(0.2\% \text{ rdg.} + 0.4\% \text{ F.S.})$	YES	+ 1% rdg(66~200Hz)	70	90
	1K-10K	$\pm(1.4\% \text{ rdg.} + 0.6\% \text{ F.S.})$	YES	/	70	90
	10K-100K	$\pm(10\% \text{ rdg.} + 1\% \text{ F.S.})$	YES	/	70	90

9.3.4 External current sensor 1 Accuracy

Item	Specification	
Requirements	Humidity	30 ~ 75%RH
	Input waveform	Sine wave, common-mode voltage: 0V
	Frequency filter	Turn on to measure voltage or current of 200Hz
	30 minutes after warm-up time has passed.	

When the crest factor is 3

Range	CF=3					
	Frequency (Hz)	Accuracy(The following accuracy is the sum of the reading error and the range error)	Calibration Zero	When the line filter is turned ON	Temp. coefficient (23±5°C) ppm	Temp. coefficient (5-18°C/28-40°C) ppm
5V	0(DC)	$\pm(2\% \text{ F.S.})$	YES	/	200	300
	10-45	$\pm(2\% \text{ F.S.})$	YES	+ 0.5% rdg.	200	300
	45-66	$\pm(2\% \text{ F.S.})$	YES	+ 0.2% rdg.	200	300
	66-1K	$\pm(2\% \text{ F.S.})$	YES	+ 0.5% rdg(66~200Hz)	200	300
	1K-10K	$\pm(0.7\% \text{ rdg.} + 2\% \text{ F.S.})$	YES	/	200	300
	10K-100K	$\pm(5\% \text{ rdg.} + 2\% \text{ F.S.})$	YES	/	200	300
10V	0(DC)	$\pm(1.5\% \text{ F.S.})$	YES	/	100	150
	10-45	$\pm(1.5\% \text{ F.S.})$	YES	+ 0.5% rdg.	100	150
	45-66	$\pm(1.5\% \text{ F.S.})$	YES	+ 0.2% rdg.	100	150
	66-1K	$\pm(1.5\% \text{ F.S.})$	YES	+ 0.5% rdg(66~200Hz)	100	150
	1K-10K	$\pm(0.7\% \text{ rdg.} + 1.5\% \text{ F.S.})$	YES	/	100	150
	10K-100K	$\pm(5\% \text{ rdg.} + 1.5\% \text{ F.S.})$	YES	/	100	150

When the crest factor is 6

Range	CF=6					
	Frequency (HZ)	Accuracy(The following accuracy is the sum of the reading error and the range error)	Calibration Zero	When the line filter is turned ON	Temp.coefficient (23±5°C) ppm	Temp.coefficient (5-18°C/28-40°C) ppm
2.5V	0(DC)	±(4% F.S.)	YES	/	400	600
	10-45	±(4% F.S.)	YES	+ 1% rdg.	400	600
	45-66	±(4% F.S.)	YES	+ 0.4% rdg.	400	600
	66-1K	±(4% F.S.)	YES	+ 1% rdg(66~200Hz)	400	600
	1K-10K	±(1.4% rdg.+4% F.S.)	YES	/	400	600
	10K-100K	±(10% rdg.+ 4% F.S.)	YES	/	400	600
5V	0(DC)	±(3% F.S.)	YES	/	200	300
	10-45	±(3% F.S.)	YES	+ 1% rdg.	200	300
	45-66	±(3% F.S.)	YES	+ 0.4% rdg.	200	300
	66-1K	±(3% F.S.)	YES	+ 1% rdg (66~200Hz)	200	300
	1K-10K	±(1.4% rdg.+ 3% F.S.)	YES	/	200	300
	10K-100K	±(10% rdg.+ 3% F.S.)	YES	/	200	300

9.3.5 External current sensor 2 Accuracy

Item	Specification	
Requirements	Humidity	30 ~ 75%RH
	Input waveform	Sine wave, common-mode voltage: 0V
	Frequency filter	Turn on to measure voltage or current of 200Hz
	30 minutes after warm-up time has passed.	

When the crest factor is 3

Range	CF=3					
	Frequency (HZ)	Accuracy(The following accuracy is the sum of the reading error and the range error)	Calibration Zero	When the line filter is turned ON	Temp.coefficient (23±5°C) ppm	Temp.coefficient (5-18°C/28-40°C) ppm
100mV	0(DC)	±(2% F.S.)	YES	/	500	800
	10-45	±(2% F.S.)	YES	+ 0.5% rdg.	500	800
	45-66	±(2% F.S.)	YES	+ 0.2% rdg.	500	800
	66-1K	±(2% F.S.)	YES	+ 0.5% rdg (66~200Hz)	500	800
	1K-10K	±(0.7% rdg.+ 2% F.S.)	YES	/	500	800
	10K-100K	±(5% rdg.+ 2% F.S.)	YES	/	500	800
250mV	0(DC)	±(1.5% F.S.)	YES	/	250	400
	10-45	±(1.5% F.S.)	YES	+ 0.5% rdg.	250	400
	45-66	±(1.5% F.S.)	YES	+ 0.2% rdg.	250	400

	66-1K	$\pm(1.5\% \text{ F.S.})$	YES	+ 0.5% rdg (66~200Hz)	250	400
	1K-10K	$\pm(0.7\% \text{ rdg.} + 1.5\% \text{ F.S.})$	YES	/	250	400
	10K-100K	$\pm(5\% \text{ rdg.} + 1.5\% \text{ F.S.})$	YES	/	250	400
500mV	0(DC)	$\pm(0.9\% \text{ F.S.})$	YES	/	100	150
	10-45	$\pm(0.9\% \text{ F.S.})$	YES	+ 0.5% rdg.	100	150
	45-66	$\pm(0.9\% \text{ F.S.})$	YES	+ 0.2% rdg.	100	150
	66-1K	$\pm(0.9\% \text{ F.S.})$	YES	+ 0.5% rdg (66~200Hz)	100	150
	1K-10K	$\pm(0.7\% \text{ rdg.} + 0.9\% \text{ F.S.})$	YES	/	100	150
	10K-100K	$\pm(5\% \text{ rdg.} + 0.9\% \text{ F.S.})$	YES	/	100	150
1V	0(DC)	$\pm(0.7\% \text{ F.S.})$	YES	/	60	80
	10-45	$\pm(0.7\% \text{ F.S.})$	YES	+ 0.5% rdg.	60	80
	45-66	$\pm(0.7\% \text{ F.S.})$	YES	+ 0.2% rdg.	60	80
	66-1K	$\pm(0.7\% \text{ F.S.})$	YES	+ 0.5% rdg (66~200Hz)	60	80
	1K-10K	$\pm(0.7\% \text{ rdg.} + 0.7\% \text{ F.S.})$	YES	/	60	80
	10K-100K	$\pm(5\% \text{ rdg.} + 0.7\% \text{ F.S.})$	YES	/	60	80
2.5V	0(DC)	$\pm(0.5\% \text{ F.S.})$	YES	/	35	45
	10-45	$\pm(0.5\% \text{ F.S.})$	YES	+ 0.5% rdg.	35	45
	45-66	$\pm(0.5\% \text{ F.S.})$	YES	+ 0.2% rdg.	35	45
	66-1K	$\pm(0.5\% \text{ F.S.})$	YES	+ 0.5% rdg (66~200Hz)	35	45
	1K-10K	$\pm(0.7\% \text{ rdg.} + 0.5\% \text{ F.S.})$	YES	/	35	45
	10K-100K	$\pm(5\% \text{ rdg.} + 0.5\% \text{ F.S.})$	YES	/	35	45

When the crest factor is 6

Range	CF=6					
	Frequency (Hz)	Accuracy(The following accuracy is the sum of the reading error and the range error)	Calibration Zero	When the line filter is turned ON	Temp. coefficient (23±5°C) ppm	Temp. coefficient (5-18°C/28-40°C) ppm
50mV	0(DC)	$\pm(6\% \text{ F.S.})$	YES	/	1000	1500
	10-45	$\pm(6\% \text{ F.S.})$	YES	+ 1% rdg.	1000	1500
	45-66	$\pm(6\% \text{ F.S.})$	YES	+ 0.4% rdg.	1000	1500
	66-1K	$\pm(6\% \text{ F.S.})$	YES	+ 1% rdg (66~200Hz)	1000	1500
	1K-10K	$\pm(1.4\% \text{ rdg.} + 6\% \text{ F.S.})$	YES	/	1000	1500
	10K-100K	$\pm(10\% \text{ rdg.} + 6\% \text{ F.S.})$	YES	/	1000	1500

125m V	0(DC)	$\pm(3\% \text{ F.S.})$	YES	/	500	800
	10-45	$\pm(3\% \text{ F.S.})$	YES	+ 1% rdg.	500	800
	45-66	$\pm(3\% \text{ F.S.})$	YES	+ 0.4% rdg.	500	800
	66-1K	$\pm(3\% \text{ F.S.})$	YES	+ 1% rdg(66~200Hz)	500	800
	1K-10 K	$\pm(1.4\% \text{ rdg.} + 3\% \text{ F.S.})$	YES	/	500	800
	10K-10 OK	$\pm(10\% \text{ rdg.} + 3\% \text{ F.S.})$	YES	/	500	800
250m V	0(DC)	$\pm(1.8\% \text{ F.S.})$	YES	/	200	300
	10-45	$\pm(1.8\% \text{ F.S.})$	YES	+ 1% rdg.	200	300
	45-66	$\pm(1.8\% \text{ F.S.})$	YES	+ 0.4% rdg.	200	300
	66-1K	$\pm(1.8\% \text{ F.S.})$	YES	+ 1% rdg(66~200Hz)	200	300
	1K-10 K	$\pm(1.4\% \text{ rdg.} + 1.8\% \text{ F.S.})$	YES	/	200	300
	10K-10 OK	$\pm(10\% \text{ rdg.} + 1.8\% \text{ F.S.})$	YES	/	200	300
0.5V	0(DC)	$\pm(1.4\% \text{ F.S.})$	YES	/	120	160
	10-45	$\pm(1.4\% \text{ F.S.})$	YES	+ 1% rdg.	120	160
	45-66	$\pm(1.4\% \text{ F.S.})$	YES	+ 0.4% rdg.	120	160
	66-1K	$\pm(1.4\% \text{ F.S.})$	YES	+ 1% rdg(66~200Hz)	120	160
	1K-10 K	$\pm(1.4\% \text{ rdg.} + 1.4\% \text{ F.S.})$	YES	/	120	160
	10K-10 OK	$\pm(10\% \text{ rdg.} + 1.4\% \text{ F.S.})$	YES	/	120	160
1.25V	0(DC)	$\pm(1\% \text{ F.S.})$	YES	/	70	90
	10-45	$\pm(1\% \text{ F.S.})$	YES	+ 1% rdg.	70	90
	45-66	$\pm(1\% \text{ F.S.})$	YES	+ 0.4% rdg.	70	90
	66-1K	$\pm(1\% \text{ F.S.})$	YES	+ 1% rdg(66~200Hz)	70	90
	1K-10 K	$\pm(1.4\% \text{ rdg.} + 1\% \text{ F.S.})$	YES	/	70	90
	10K-10 OK	$\pm(10\% \text{ rdg.} + 1\% \text{ F.S.})$	YES	/	70	90

Waveform display and peak display data are reference values.

9.3.6 Active Power Accuracy

Item	Specification	
Requirements	Humidity	30 ~ 75%RH
	Input waveform	Sine wave, common-mode voltage: 0V, power factor: 1
	Frequency filter	Turn on to measure voltage or current of 200Hz
	30 minutes after warm-up time has passed.	

Resolution

Range		Voltage Range					
		15V	30V	60V	150V	300V	600V
Current Range	1A	1mW	1mW	1mW	10mW	10mW	10mW
	2A	1mW	1mW	10mW	10mW	10mW	0.1W
	5A	1mW	10mW	10mW	10mW	0.1W	0.1W
	10A	10mW	10mW	10mW	0.1W	0.1W	0.1W
	20A	10mW	10mW	0.1W	0.1W	0.1W	1W
	50A	10mW	0.1W	0.1W	0.1W	1W	1W

When the crest factor is 3

CF=3						
Frequency (Hz)	Accuracy(The following accuracy is the sum of the reading error and the range error)	Calibration Zero	When the line filter is turned ON	Temp.coefficient (23±5°C)ppm	Temp.coefficient (5-18°C/28-40°C)ppm	
0(DC)	±(0.1% rdg.+ 0.2% F.S.)	YES	/	The temperature coefficient of the current/voltage range takes the higher value.	The temperature coefficient of the current/voltage range takes the higher value.	
10-45	±(0.3% rdg.+ 0.2% F.S.)	YES	+ 1% rdg.			
45-66	±(0.1% rdg.+ 0.1% F.S.)	YES	+ 0.3% rdg.			
66-1K	±(0.2% rdg.+ 0.2% F.S.)	YES	+ 1% rdg(66~200Hz)			
1K-10K	±(0.7% rdg.+ 0.3% F.S.)	YES	/			
10K-100K	±(5% rdg.+ 0.5% F.S.)	YES	/			

Influence of power factor:	<p>When the power factor is 0, the accuracy is increased by $\pm\{(0.2+0.2f)\%$ of S } in basic accuracy. (S: apparent power, f is frequency of input signal in kHz.)</p> <p>When the power factor is 0~1, the accuracy is increased by $\{(power\ reading)^*(power\ reading\ error)\%+(power\ range\ error)\%*(power\ range/indicated\ apparent\ power\ value)+\tan\phi * 0.2\% * S\}$ in basic accuracy. (S: apparent power, Φ: phase angle of the Voltage and current)</p>
----------------------------	---

When the crest factor is 6

CF=6						
Frequency (Hz)	Accuracy(The following accuracy is the sum of the reading error and the range error)	Calibration Zero	When the line filter is turned ON	Temp.coefficient (23±5°C)ppm	Temp.coefficient (5-18°C/28-40°C)ppm	
0(DC)	±(0.2% rdg.+ 0.4% F.S.)	YES	/	The temperature coefficient of the current/voltage range takes the higher value.	The temperature coefficient of the current/voltage range takes the higher value.	
10-45	±(0.6% rdg.+ 0.4% F.S.)	YES	+ 2% rdg.			
45-66	±(0.2% rdg.+ 0.2% F.S.)	YES	+ 0.6% rdg.			
66-1K	±(0.4% rdg.+ 0.4% F.S.)	YES	+ 2% rdg(66~200Hz)			
1K-10K	±(1.4% rdg.+ 0.6% F.S.)	YES	/			
10K-100K	±(10% rdg.+ 1% F.S.)	YES	/			

Influence of power factor:	<p>When the power factor is 0, the accuracy is increased by $\pm\{(0.4+0.4f)\%$ of S } in basic accuracy. (S: apparent power, f is frequency of input signal in kHz.)</p> <p>When the power factor is 0~1, the accuracy is increased by $\{2*(power\ reading)^*(power\ reading\ error)\%+(power\ range\ error)\%*(power\ range/indicated\ apparent\ power\ value)+\tan\phi * 0.2\% * S\}$ in basic accuracy. (S: apparent power, Φ: phase angle of the Voltage and current)</p>
----------------------------	---

	reading error)%+ 2*(power range error)%*(power range/indicated apparent power value)+ 2*tanφ * 0.2% * S } in basic accuracy. (S: apparent power, Φ: phase angle of the Voltage and current)
--	---

9.3.7 Apparent Power Accuracy

(Turn on the frequency filter, when the frequency of measurement voltage or current is less than or equal to 200Hz.)

Resolution

Range		Voltage Range					
		15V	30V	60V	150V	300V	600V
Current Range	1A	1mVA	1mVA	1mVA	10mVA	10mVA	10mVA
	2A	1mVA	1mVA	10mVA	10mVA	10mVA	0.1VA
	5A	1mVA	10mVA	10mVA	10mVA	0.1VA	0.1VA
	10A	10mVA	10mVA	10mVA	0.1VA	0.1VA	0.1VA
	20A	10mVA	10mVA	0.1VA	0.1VA	0.1VA	1VA
	50A	10mVA	0.1VA	0.1VA	0.1VA	1VA	1VA

When the crest factor is 3

CF=3						
Frequency (HZ)	Accuracy(The following accuracy is the sum of the reading error and the range error)	Calibration Zero	When the line filter is turned ON	Temp.coefficient (23±5°C)ppm	Temp.coefficient (5-18°C/28-40°C)ppm	
0(DC)	±(0.2% rdg.+ 0.4% F.S.)	YES	/	The temperature coefficient of the current/voltage range takes the higher value.	The temperature coefficient of the current/voltage range takes the higher value.	
10-45	±(0.2% rdg.+ 0.4% F.S.)	YES	+ 1% rdg.			
45-66	±(0.2% rdg.+ 0.2% F.S.)	YES	+ 0.4% rdg.			
66-1K	±(0.2% rdg.+ 0.4% F.S.)	YES	+ 1% rdg(66~200Hz)			
1K-10K	±(1.4% rdg.+ 0.6% F.S.)	YES	/			
10K-100K	±(10% rdg.+ 1% F.S.)	YES	/			

When the crest factor is 6

CF=6						
Frequency (HZ)	Accuracy(The following accuracy is the sum of the reading error and the range error)	Calibration Zero	When the line filter is turned ON	Temp.coefficient (23±5°C)ppm	Temp.coefficient (5-18°C/28-40°C)ppm	
0(DC)	±(0.4% rdg.+ 0.8% F.S.)	YES	/	The temperature coefficient of the current/voltage range takes the higher value.	The temperature coefficient of the current/voltage range takes the higher value.	
10-45	±(0.4% rdg.+ 0.8% F.S.)	YES	+ 2% rdg.			
45-66	±(0.4% rdg.+ 0.4% F.S.)	YES	+ 0.8% rdg.			
66-1K	±(0.4% rdg.+ 0.8% F.S.)	YES	+ 2% rdg(66~200Hz)			
1K-10K	±(2.8% rdg.+ 1.2% F.S.)	YES	/			
10K-100K	±(20% rdg.+ 2% F.S.)	YES	/			

Accuracy of power Factor	$\pm[(PF-PF/1.0002)+ \cos\Phi-\cos\{\Phi+\sin^{-1}((0.2+0.2*f)\%/100)\}]\pm 1 \text{ dgt}$ (f is frequency of input signal in kHz.) The voltage and current values are in rated range, Φ is the phase difference between the Voltage and current.
Accuracy of phase difference	$\pm[\Phi-\cos^{-1}(PF/1.0002) +\sin^{-1}\{(0.2+0.2*f)\%/100\}]\text{deg}\pm 1 \text{ dgt}$ (f is frequency of input signal in kHz.) The voltage and current values are in rated range.

9.3.8 Reactive power Accuracy

(Turn on the frequency filter, when the frequency of measurement voltage or current is less than or equal to 200Hz.)

Resolution

Range		Voltage Range					
		15V	30V	60V	150V	300V	600V
Current Range	1A	1mvar	1mvar	1mvar	10mvar	10mvar	10mvar
	2A	1mvar	1mvar	10mvar	10mvar	10mvar	0.1var
	5A	1mvar	10mvar	10mvar	10mvar	0.1var	0.1var
	10A	10mvar	10mvar	10mvar	0.1var	0.1var	0.1var
	20A	10mvar	10mvar	0.1var	0.1var	0.1var	1var
	50A	10mvar	0.1var	0.1var	0.1var	1var	1var

When the crest factor is 3

CF=3						
Frequency (HZ)	Accuracy(The following accuracy is the sum of the reading error and the range error)	Calibration Zero	When the line filter is turned ON	Temp.coefficient (23±5°C)ppm	Temp.coefficient (5-18°C/28-40°C)ppm	
0(DC)	$\pm(0.2\% \text{ rdg.} + 0.4\% \text{ F.S.} + (\frac{\sqrt{1.0004 - PF^2} - \sqrt{1 - PF^2}}{\sqrt{1 - PF^2}}) \times 100\% \text{ F.S.})$	YES	/	The temperature coefficient of the current/voltage range takes the higher value.	The temperature coefficient of the current/voltage range takes the higher value.	
10-45	$\pm(0.2\% \text{ rdg.} + 0.4\% \text{ F.S.} + (\frac{\sqrt{1.0004 - PF^2} - \sqrt{1 - PF^2}}{\sqrt{1 - PF^2}}) \times 100\% \text{ F.S.})$	YES	+ 1% rdg.			
45-66	$\pm(0.2\% \text{ rdg.} + 0.2\% \text{ F.S.} + (\frac{\sqrt{1.0004 - PF^2} - \sqrt{1 - PF^2}}{\sqrt{1 - PF^2}}) \times 100\% \text{ F.S.})$	YES	+ 0.4% rdg.			
66-1K	$\pm(0.2\% \text{ rdg.} + 0.4\% \text{ F.S.} + (\frac{\sqrt{1.0004 - PF^2} - \sqrt{1 - PF^2}}{\sqrt{1 - PF^2}}) \times 100\% \text{ F.S.})$	YES	+ 1% rdg(66~200Hz)			
1K-10K	$\pm(1.4\% \text{ rdg.} + 0.6\% \text{ F.S.} + (\frac{\sqrt{1.0004 - PF^2} - \sqrt{1 - PF^2}}{\sqrt{1 - PF^2}}) \times 100\% \text{ F.S.})$	YES	/			
10K-100K	$\pm(10\% \text{ rdg.} + 1\% \text{ F.S.} + (\frac{\sqrt{1.0004 - PF^2} - \sqrt{1 - PF^2}}{\sqrt{1 - PF^2}}) \times 100\% \text{ F.S.})$	YES	/			

When the crest factor is 6

CF=6					
Frequency (HZ)	Accuracy(The following accuracy is the sum of the reading error and the range error)	Calibration Zero	When the line filter is turned ON	Temp.coefficient (23±5°C)ppm	Temp.coefficient (5-18°C/28-40°C)ppm
0(DC)	$\pm(0.4\% \text{ rdg.} + 0.8\% \text{ F.S.} + (\sqrt{1.0004 - \text{PF}^2} - \sqrt{1 - \text{PF}^2}) \times 2 \times 100\% \text{ F.S.})$	YES	/	The temperature coefficient of the current/voltage range takes the higher value.	The temperature coefficient of the current/voltage range takes the higher value.
10-45	$\pm(0.4\% \text{ rdg.} + 0.8\% \text{ F.S.} + (\sqrt{1.0004 - \text{PF}^2} - \sqrt{1 - \text{PF}^2}) \times 2 \times 100\% \text{ F.S.})$	YES	+ 2% rdg.		
45-66	$\pm(0.4\% \text{ rdg.} + 0.4\% \text{ F.S.} + (\sqrt{1.0004 - \text{PF}^2} - \sqrt{1 - \text{PF}^2}) \times 2 \times 100\% \text{ F.S.})$	YES	+ 0.8% rdg.		
66-1K	$\pm(0.4\% \text{ rdg.} + 0.8\% \text{ F.S.} + (\sqrt{1.0004 - \text{PF}^2} - \sqrt{1 - \text{PF}^2}) \times 2 \times 100\% \text{ F.S.})$	YES	+ 2% rdg(66~200Hz)		
1K-10K	$\pm(2.8\% \text{ rdg.} + 1.2\% \text{ F.S.} + (\sqrt{1.0004 - \text{PF}^2} - \sqrt{1 - \text{PF}^2}) \times 2 \times 100\% \text{ F.S.})$	YES	/		
10K-100K	$\pm(20\% \text{ rdg.} + 2\% \text{ F.S.} + (\sqrt{1.0004 - \text{PF}^2} - \sqrt{1 - \text{PF}^2}) \times 2 \times 100\% \text{ F.S.})$	YES	/		

9.3.9 Frequency Measurement

Item	Specification	
Frequency measurement range	Data update interval	Measurement range
	0.1s	25Hz ≤ f ≤ 100kHz
	0.25s	10Hz ≤ f ≤ 100kHz
	0.5s	5Hz ≤ f ≤ 100kHz
	1s	2.5Hz ≤ f ≤ 100kHz
	2s	1.5Hz ≤ f ≤ 50kHz
	5s	0.5Hz ≤ f ≤ 20kHz
Accuracy	Accuracy: ±(0.06% of reading) Requirements: When crest factor is set to 3, the input signal level is greater than or equal to 20% of the measurement range. When crest factor is set to 6, the input signal level is greater than or equal to 40% of the measurement range. Turn on the frequency filter, when the frequency of measurement voltage or current is less than or equal to 200Hz.	

Resolution

Range	Resolution
f < 10Hz	0.001 Hz
10Hz ≤ f < 100Hz	0.01 Hz
100Hz ≤ f < 1000Hz	0.1 Hz
1kHz ≤ f < 10kHz	1 Hz

10kHz≤f<100kHz	10 Hz
----------------	-------

9.3.10 Harmonic Measurement

Select voltage or current of each input element.

When PF=3, the input level is equal to or greater than 50% of the rated range.
 When PF=6, the input level is equal to or greater than 100% of the rated range.
 When fundamental frequency is less than or equal to 200Hz, the frequency filter must be opened.

When line filter is off, the accuracy shown below is the sum of reading and range errors.

Frequency	Voltage	Current	Power
10Hz≤f<45Hz	±(0.15% rdg.+ 0.35%F.S.)	±(0.15% rdg.+ 0.35%F.S.)	±(0.15% rdg. + 0.50%F.S.)
45Hz≤f≤440Hz	±(0.15% rdg.+ 0.35%F.S.)	±(0.15% rdg.+ 0.35%F.S.)	±(0.25% rdg.+ 0.50%F.S.)
440Hz<f≤1kHz	±(0.20% rdg.+ 0.35% F.S.)	±(0.20% rdg.+ 0.35% F.S.)	±(0.40% rdg.+ 0.50% F.S.)
1kHz<f≤2.5kHz	±(0.80% rdg.+ 0.45% F.S.)	±(0.80% rdg.+ 0.45% F.S.)	±(1.56% rdg.+ 0.60% F.S.)
2.5kHz<f≤5kHz	±(3.05% rdg.+ 0.45% F.S.)	±(3.05% rdg.+ 0.45% F.S.)	±(5.77% rdg.+ 0.60% F.S.)

FFT data length: 1024.

Window function: Rectangle.

The fundamental frequency, sample rate, window width and upper limit of analysis orders are as follows:

Fundamental frequency	Sample rate	Window width	Upper limit of analysis orders
10Hz ~ 76Hz	f*1024	1	50
76Hz ~ 152Hz	f*512	2	32
152Hz ~ 305Hz	f*256	4	16
305Hz ~ 610Hz	f*128	8	8
610Hz ~ 1500Hz	f*64	16	4

The upper limit of analysis orders can be decrease.

9.3.11 Integration

Mode	MANUAL, TIME and TInterval
Integral interval range	0000h00m00s~10000h00m00s
Overflowing count	When the intergral interval is up to the maximum intergral interval(10000h) or the integral value is up to the maximum or minimum display integral value, the integration operation will stop and hold the integral interval and value of this point. *WP: ±99999 MWh q: ±99999 MAh
Accuracy	Power: ±(power accuracy +0.02%×WS) Current: Select value except the current dc: ±(current accuracy + 0.02% of the reading value). Select the current dc: ±(current accuracy + 0.02 of the rangexIntegral interval (h)%)

9.3.12 Oscilloscope Function

Grid numbers	300
Display format	p-p compressed data

Sample rate	100 kS/s approximately
Time axis	Select scale from: 500us/div、1ms/div、2ms/div、5ms/div、10ms/div、20ms/div、50ms/div、100ms/div、200ms/div、500ms/div。
Trigger type	Edge
Trigger mode	Auto, Normal or Single.
Trigger source	select the trigger source from the input signal of the input unit and the external clock signal.
Trigger edge	Rising edge, falling edge or arbitrary edge.
Trigger level	<ul style="list-style-type: none"> •When the trigger source is the voltage or current of the input unit, the setting range is from the center of the screen to the top(+100%) and bottom(-100%). Resolution: 0.1%. • When the trigger source is the external clock signal, the trigger level is TTL.
Vertical axis	Voltage waveform display: (one-third of the voltage range)/div Current waveform display: (one-third of the current range)/div
Turn on or off the waveform display	You can turn on or off each voltage or current waveform display.

9.3.13 Interface

USB Interface

Item	Specification
Interface type	Type B (socket)
Electrical and mechanical specifications	USB 2.0
Transmission speed	Maximum speed is 12Mbps
Port number	1
Power supply	Self-powered
Support service	Remote control
Support system	Run PC with Windows 7(SP4 version or update version), Windows XP or Windows Vista, standard USB interface.

USB peripheral equipment interface

Item	Specification
Interface type	Type A (socket)
Electrical and mechanical specifications	USB 2.0
Transmission speed	Maximum speed is 12Mbps
Port number	1
Power supply	Power supply 5V、500mA2 (per port)
Support USB large capacity memory	USB flash memory (meet USB Mass Storage Class Specification)
Support system	Run PC with Windows 7(SP4 version or update version), Windows XP or Windows Vista, standard USB interface.

GPIB Interface(Only for IT9100(G) series)

Item	Specification
Available equipment	America NI Company <ul style="list-style-type: none"> • AT-GPIB • PCI-GPIB or PCI-GPIB+ • PCMCIA-GPIB, PCMCIA-GPIB+ or PCIe-GPIB Drive program: NI-488.2M 1.60 or update version

Electrical and mechanical specifications	IEEE St'd 488-1978 (JIS C 1901-1987)
Functional specification	SH1, AH1, T6, L4, SR1, RL1, PP0, DC1, DT1, C0
Protocol	IEEE St'd 488.2-1992
Encoding	ISO (ASCII)
Mode	The address mode can be set.

Serial port (RS-232)

Item	Specification
Electrical Specification	Comply with EIA-232(RS-232) standard
Connection type	Point to point
Communication type	Full duplex
Synchronization	Start and stop can be synchronized.
Baud rate	The baud rate can be set(Default: 9600)
Start bit	1bit
Data length	7 or 8 bits
Parity bit	EVEN, ODD or None
Stop bit	1 or 2 bits

Ethernet Communication

Item	Specification
Port number	1
Interface	RJ-45
Electrical and mechanical specifications	IEEE802.3
Transmission system	Ethernet (100BASE-TX)
Transmission speed	Maximum speed: 100Mbps
Communication protocol	TCP/IP
Support equipment	FTP service、DHCP、DNS、Remote control (VXI-11)

9.4 IT9121E Specification

9.4.1 General Specification

Model	IT9121E
AC input voltage	100VAC—240VAC 50/60HZ
Warm-up time	Apporx 30 minutes
Operating Environment	Temperature:5°C-40°C
	Humidity: 20%-80% (non-condensation)
	Altitude: ≤2,000m
Storage Environment	Temperature: -20°C -50°C
	humidity 20%-80% (non-condensation)
	Altitude: ≤2,000m
Installation	Indoors
Safety	IEC 61010—1、EN 61010—1 、 Measurement CAT II

Pollution degree	Pollution degree 2
EMC	IEC 61326
Maximum power consumption	50VA
Battery backup	Backup the setting parameters
Dimension	214.5mmW×88.2mmH×354.6mmD

9.4.2 Screen Display

Item	Detailed Information	
Display Interface Specification	Dimension	4.3-inch color liquid crystal display (TFT)
	Full screen pixel	480(horizontal) × 272(vertical) points
	Waveform display pixel	384(horizontal) × 194(vertical) points
	Operating temperature	-20°C~ 70°C
	Storage temperature	-30°C~ 80°C
	Value display	Currently set up as a matrix display.It is optional to display the array number.

9.4.3 Input Parameters

Input parameter	Description		
Input terminals type	Voltage	plug-in terminal(safety terminal)	
Input type	Current	Direct input	large binding post
		External current sensor input	DB9 connector
Input type	Voltage	Floating input through resistive voltage divider	
	Current	Floating input through shunt	
Measure range	Voltage	CF=3:15V, 30V, 60V, 150V, 300V, 600V. CF=6:7.5V, 15V, 30V, 75V, 150, 300V.	
	Current	Direct input	CF=3:5mA, 10mA, 20mA, 50mA, 100mA, 200mA, 0.5A, 1A, 2A, 5A, 10A, 20A. CF=6:2.5mA, 5mA, 10mA, 25mA, 50mA, 100mA, 250mA, 0.5A, 1A, 2.5A, 5A, 10A.
		Sensor input	EX1, CF=3:2.5V, 5V, 10V. CF=6:1.25V, 2.5V, 5V. EX2, CF=3:50mV, 100mV, 200mV, 500mV, 1V, 2V. CF=6:25mV, 50mV, 100mV, 250mV, 500mV, 1V.
Input impedance	Voltage	Input resistance: Approx. 2MΩ, input capacitance: Approx. 13pF (in parallel with the resistance)	
	Current	Direct input	Input resistance: Approx. 505mΩ
		range 5mA~2	Input resistance: Approx. 505mΩ

Input parameter	Description		
		00mA	
		Direct input range 0.5A~20A	Input resistance: Approx 5mΩ Input inductance: Approx 0.1μH
		Sensor input	Input resistance: Approx 100kΩ (2.5V~10V) Input resistance: Approx 20kΩ (50mV~2V)
Continuous maximum allowable input	Volta ge	peak value of 1.5kV or RMS value of 1kV, whichever is less	
	Curr ent	Direct input range 5mA~200mA	peak value of 30A or RMS value of 20A, whichever is less
		Direct input range 0.5A~20A	peak value of 100A or RMS value of 30A, whichever is less
		Sensor input	Peak value less than or equal to 5 times of the rated range
Instantaneous maximum allowable input(1s)	Volta ge	peak value of 2kV or RMS value of 1.5kV, whichever is less	
	Curr ent	Direct input range 5mA~200mA	peak value of 30A or RMS value of 20A, whichever is less
		Direct input range 0.5A~20A	peak value of 150A or RMS value of 40A, whichever is less
		Sensor input	Peak value less than or equal to 10 times of the rated range
Input bandwidth	DC, 0.5Hz~100KHz		
Continuous maximum Common-mode voltage	600Vrms, CAT II		
Line filter	select OFF, cutoff frequency of 500Hz		
Frequency filter	select OFF, cutoff frequency of 500Hz		
Digital filter	select OFF, cutoff frequency of 5KHz and 10KHz (this item has not been set up yet)		
Range	range of each unit can be set separately		
A/D converter	Simultaneous conversion voltage and current inputs Resolution: 18-bit Maximum conversion rate: 10μs		

9.4.4 Voltage and Current Accuracy

Item	Specification	
Requirements	temperature	23±5° C, humidity: 30 ~ 75%RH.
	Input waveform	Sine wave crest factor: 3, common-mode voltage: 0V

Item	Specification	
	Number of displayed digits	5digits (6 digits when including the decimal point)
	Frequency filter	Turn on to measure voltage or current of 200Hz
	30 minutes after warm-up time has passed	
	After zero-level compensation or measurement range is changed	
Accuracy (The following accuracy is the sum of the reading error and the range error) * f is the frequency of input signal in the reading error formula, the unit is kHz.	DC	$\pm(0.1\% \text{ of reading} + 0.2\% \text{ of range})$
	$0.5\text{Hz} \leq f < 45\text{Hz}$	$\pm(0.1\% \text{ of reading} + 0.2\% \text{ of range})$
	$45\text{Hz} \leq f \leq 66\text{Hz}$	$\pm(0.1\% \text{ of reading} + 0.2\% \text{ of range})$
	$66\text{Hz} < f \leq 1\text{kHz}$	$\pm(0.1\% \text{ of reading} + 0.2\% \text{ of range})$
	$1\text{kHz} < f \leq 10\text{kHz}$	$\pm(0.07 * f)\% \text{ of reading} + 0.3\% \text{ of range}$
	$10\text{kHz} < f \leq 100\text{kHz}$	$\pm(0.5\% \text{ of reading} + 0.5\% \text{ of range}) \pm \{0.04 * (f - 10)\}\% \text{ of reading}$

Current Resolution		Voltage Resolution	
Current Range	Resolution	Voltage Range	Resolution
5mA	0.0001mA	15V	1mV
10mA	0.001mA	30V	1mV
20mA	0.001mA	60V	1mV
50mA	0.001mA	150V	10mV
100mA	0.01mA	300V	10mV
200mA	0.01mA	600V	10mV
500mA	0.01mA	-	-
1A	0.1 mA		
2A	0.1 mA		
5A	0.1 mA		
10A	1 mA		
20A	1 mA		

9.4.5 Power Accuracy

Item	Specification	
Requirements	same as the conditions for voltage and current. Power factor:1	
Accuracy(The following accuracy is the sum of the reading error and the range error) * f is the frequency of input signal in the reading error formula, the unit is kHz.	DC	$\pm(0.1\% \text{ of reading} + 0.2\% \text{ of range})$
	$0.5\text{Hz} \leq f < 45\text{Hz}$	$\pm(0.3\% \text{ of reading} + 0.2\% \text{ of range})$
	$45\text{Hz} \leq f \leq 66\text{Hz}$	$\pm(0.1\% \text{ of reading} + 0.1\% \text{ of range})$
	$66\text{Hz} < f \leq 1\text{kHz}$	$\pm(0.2\% \text{ of reading} + 0.2\% \text{ of range})$
	$1\text{kHz} < f \leq 10\text{kHz}$	$\pm(0.1\% \text{ of reading} + 0.3\% \text{ of range}) \pm \{0.067 * (f - 1)\}\% \text{ of reading}$
	$10\text{kHz} < f \leq 100\text{kHz}$	$\pm(0.5\% \text{ of reading} + 0.5\% \text{ of range}) \pm \{0.09 * (f - 10)\}\% \text{ of reading}$
Influence of power factor	when power factor (PF)=0 (S:apparent power) <ul style="list-style-type: none"> • $\pm 0.2\%$ of S for $45\text{Hz} \leq f \leq 66\text{Hz}$ • $\pm \{(0.2 + 0.2 * f)\%$ of S }for up to 100kHz as reference data f is frequency of input signal in kHz	

Item	Specification
	when $0 < PF < 1$ (Φ : phase angle of the Voltage and current) $(\text{power reading}) \times [(\text{power reading error}\%) + (\text{power range}\%) \times (\text{power range}/\text{indicated apparent power value}) + \{\tan\Phi \times (\text{influence when } PF=0)\}\%]$
When the line filter is turned ON	45~66Hz: Add 0.3% of reading <45Hz: Add 1% of reading
Temperature coefficient	same as the temperature coefficient for voltage and current
Accuracy when the crest factor is set to 6	accuracy obtained by doubling the measurement range error for the accuracy when the crest factor is set to 3
Accuracy of apparent power S	voltage accuracy + current accuracy
Accuracy of reactive power Q	accuracy of apparent power $+\{(\sqrt{1.0004-PF^2}) - (\sqrt{1-PF^2})\} \times 100\%$
Accuracy of power Factor PF	$\pm[(PF - PF/1.0002) + \cos\Phi - \cos\{\Phi + \sin^{-1}(\text{influence from the power factor when } PF=0\%/100)\}]$ ± 1 digit when voltage and current are at the measurement range rated input.
Accuracy of phase difference Φ	$\pm[\Phi - \cos^{-1}(PF/1.0002) + \sin^{-1}\{(\text{influence from the power factor when } PF=0\%/100)\}]$ ± 1 digit when voltage and current are at the measurement range rated input.

Power Resolution								
Range		Voltage Range						
		15V	30V	60V	150V	300V	600V	
Current Range	5m A	0.001mW/mvar/mVA	0.01mW/mvar/mVA	0.01mW/mvar/mVA	0.01mW/mvar/mVA	0.1mW/mvar/mVA	0.1mW/mvar/mVA	
	10m A	0.01mW/mvar/mVA	0.01mW/mvar/mVA	0.01mW/mvar/mVA	0.1mW/mvar/mVA	0.1mW/mvar/mVA	0.1mW/mvar/mVA	
	20m A	0.01mW/mvar/mVA	0.01mW/mvar/mVA	0.01mW/mvar/mVA	0.1mW/mvar/mVA	0.1mW/mvar/mVA	1mW/mvar/mVA	
	50m A	0.01mW/mvar/mVA	0.1mW/mvar/mVA	0.1mW/mvar/mVA	1mW/mvar/mVA	1mW/mvar/mVA	1mW/mvar/mVA	
	100 mA	0.1mW/mvar/mVA	0.1mW/mvar/mVA	0.1mW/mvar/mVA	1mW/mvar/mVA	1mW/mvar/mVA	1mW/mvar/mVA	
	200 mA	0.1mW/mvar/mVA	0.1mW/mvar/mVA	1mW/mvar/mVA	1mW/mvar/mVA	1mW/mvar/mVA	10mW/mvar/mVA	
	500 mA	0.1mW/mvar/mVA	1mW/mvar/mVA	1mW/mvar/mVA	1mW/mvar/mVA	10mW/mvar/mVA	10mW/mvar/mVA	
	1A	1mW/mvar/mVA	1mW/mvar/mVA	1mW/mvar/mVA	10mW/mvar/mVA	10mW/mvar/mVA	10mW/mvar/mVA	
	2A	1mW/mvar/mVA	1mW/mvar/mVA	10mW/mvar/mVA	10mW/mvar/mVA	10mW/mvar/mVA	0.1W/var/V A	
	5A	1mW/mvar/mVA	10mW/mvar/mVA	10mW/mvar/mVA	10mW/mvar/mVA	0.1W/var/V A	0.1W/var/V A	
	10A	10mW/mvar/mVA	10mW/mvar/mVA	10mW/var/VA	0.1W/var/V A	0.1W/var/V A	0.1W/var/V A	
	20A	10mW/mvar/mVA	10mW/mvar/mVA	0.1W/var/V A	0.1W/var/V A	0.1W/var/V A	1W/var/VA	

9.4.6 Voltage Current and Power measurements

Item	Specification	
Measurement method	digital sampling method	
Crest factor	3 or 6	
Wiring system	(one element model):single-phase ,two-wire(1P2W)	
Range select	select manual or auto ranging	
Auto range	Range increase When meet any of the following conditions, the range will increase automatically. <ul style="list-style-type: none"> • Urms or Irms is greater than 110% of the current setting range • PF=3: the values of the input signal Upk and Ipk are greater than 330% of the current setting range • PF=6: the values of the input signal Upk and Ipk are greater than 660% of the current setting range Range decrease When meet any of the following conditions, the range will decrease automatically. <ul style="list-style-type: none"> • Urms or Irms is less than or equal to 30% of the current setting range • PF=3: the values of the input signal Upk and Ipk are less than 300% of the current setting range • PF=6: the values of the input signal Upk and Ipk are less than 600% of the current setting range 	
	Name	Symbols and meanings
Measurement parameters	voltage current	Select RMS(the true RMS value of voltage andcurrent) 、MEAN:(the rectified mean value calibrated to theRMS value of the voltage andthe true RMS value of the current)、RMN (rectified mean value of voltage and current) DC:(simple average of voltage and current)、 AC: alternating current、PP: (peak value of voltage and peak value of current)
	active power [W]	P
	reactive power [var]	Q
	apparent power [VA]	S
	power factor	PF
	phase difference (°)	φ
	frequency(Hz)	fU (FreqU): voltage frequency、fI (FreqI): current frequency
	max/mix of voltage (V)	Upk+: voltage positive peak、 Upk- : voltage negative peak
	max/mix of current (A)	Ipk+: current positive peak、 Ipk- : current negative peak
	crest factor (The ratio of peak value and RMS)	Ucf: crest factor of voltage, Icf : crest factor of current
integration	TM:integration time 、 WP:sum of positive and negative watt hour 、 WP+:positive power	

Item	Specification
	sum、 WP:-negative power sum、q:sum of positive and negative ampere-hour、q+:positive ampere-hour sum、q:-negative ampere-hour sum
Measurement synchronization source	Select voltage, current, or the entire period of the data update interval for the signal used to achieve synchronization during measurement.
Line filter	Select OFF or ON (cutoff frequency at 500Hz)
Peak measurement	Measures the peak (max,min) value of voltage,current or power from the instantaneous current or instantaneous power that is sampled.

9.4.7 Frequency Measurement

Item	Specification	
Measurement item	voltage or current frequencies applied to one selected input element can be measured	
Frequency measurement range	varies depending on the data update interval (see description given later)as follows	
	Data update interval	measurement range
	0.1s	$25\text{Hz} \leq f \leq 100\text{kHz}$
	0.25s	$10\text{Hz} \leq f \leq 100\text{kHz}$
	0.5s	$5\text{Hz} \leq f \leq 100\text{kHz}$
	1s	$2.5\text{Hz} \leq f \leq 100\text{kHz}$
	2s	$1.5\text{Hz} \leq f \leq 50\text{kHz}$
5s	$0.5\text{Hz} \leq f \leq 20\text{kHz}$	
Frequency filter	select OFF or ON (cutoff frequency of 500Hz)	
Accuracy	requirements : When the input signal level is 30% or more of the measurement range if the crest factor is set to 3 (60% or more if the crest factor is set to 6) , frequency filter is ON when measuring voltage or current of 200Hz or less. Accuracy:±(0.06%of reading)	

Range	Frequency Resolution
$f < 10\text{Hz}$	0.001 Hz
$10\text{Hz} \leq f < 100\text{Hz}$	0.01 Hz
$100\text{Hz} \leq f < 1000\text{Hz}$	0.1 Hz
$1\text{kHz} \leq f < 10\text{kHz}$	1 Hz
$10\text{kHz} \leq f < 100\text{kHz}$	10 Hz

9.4.8 Fundamental Frequency

Fundamental frequency	sample rate	window width	upper limit of* analysis orders*
10Hz ~ 75Hz	f*1024	1	50
75Hz ~ 150Hz	f*512	2	32

Fundamental frequency	sample rate	window width	upper limit of* analysis orders*
150Hz ~ 300Hz	f*256	4	16
300Hz ~ 600Hz	f*128	8	8
600Hz ~ 1200Hz	f*64	16	4
*the upper limit of analysis orders can be decrease			

9.4.9 Accuracy

*When line filter is off, the accuracy shown below is the sum of reading and range errors.

Frequency	Voltage	Current	Power
10Hz ≤ f < 45Hz	0.15% of reading +0.35% of range	0.15% of reading +0.35% of range	0.15% of reading +0.50% of range
45Hz ≤ f ≤ 440Hz	0.15% of reading +0.35% of range	0.15% of reading +0.35% of range	0.20% of reading +0.50% of range
440Hz < f ≤ 1kHz	0.20% of reading +0.35% of range	0.20% of reading +0.35% of range	0.40% of reading +0.50% of range
1kHz < f ≤ 2.5kHz	0.80% of reading +0.45% of range	0.80% of reading +0.45% of range	1.56% of reading +0.60% of range
2.5kHz < f ≤ 5kHz	3.05% of reading +0.45% of range	3.05% of reading +0.45% of range	5.77% of reading +0.60% of range

9.4.10 Oscilloscope Function

Channel	2
Measurement	Voltage and current
Bandwidth(-3dB)	DC : 10 kHz
Sample rate	100kHz
Record length	Each channel is 300 points
Horizontal system	
The level of scale range	500us/case, 1ms/case, 2ms/case, 5ms/case, 10ms/case, 20ms/case, 50ms/case, 100ms/case, 200ms/case, 500ms/case
The accuracy of horizontal cursor	Each case is ±4.0%
Vertical system	
Vertical scale range	CF=3: Range/case CF=6: Range*2/case
The accuracy of the vertical cursor	Each case is ±4.0%
Maximum input voltage	1800V (DC+AC peak)
Maximum input current	60A (DC+AC peak)
Triggle system	
Trigger source	Voltage, current and EXT
Trigger type	Edge(rising edge, falling edge, arbitrary edge)

Trigger mode	Automatic, Normal, Single
--------------	---------------------------

9.4.11 Interface Specification

USB Interface

Item	Specification
Interface type	Type B (socket)
Electrical and mechanical specifications	USB 2.0
Transmission speed	Maximum speed is 12Mbps
Port number	1
Power supply	Self-powered
Support service	Remote control
Support system	Run PC with Windows 7(SP4 version or update version), Windows XP or Windows Vista,standard USB interface.

USB peripheral equipment interface

Item	Specification
Interface type	Type A (socket)
Electrical and mechanical specifications	USB 2.0
Transmission speed	Maximum speed is 12Mbps
Port number	1
Power supply	Power supply 5V、 500mA2 (per port)
Support USB large capacity memory	USB flash memory (meet USB Mass Storage Class Specification)
Support system	Run PC with Windows 7(SP4 version or update version), Windows XP or Windows Vista,standard USB interface.

GPIB Interface(Only for IT9100(G) series)

Item	Specification
Available equipment	America NI Company <ul style="list-style-type: none"> • AT-GPIB • PCI-GPIB or PCI-GPIB+ • PCMCIA-GPIB, PCMCIA-GPIB+ or PCIe-GPIB Drive program: NI-488.2M 1.60 or update version
Electrical and mechanical specifications	IEEE St'd 488-1978 (JIS C 1901-1987)
Functional specification	SH1, AH1, T6, L4, SR1, RL1, PP0, DC1, DT1, C0
Protocol	IEEE St'd 488.2-1992
Encoding	ISO (ASCII)
Mode	The address mode can be set

Serial port(RS-232)

Item	Specification
Electrical Specification	Comply with EIA-232(RS-232) standard
Connection type	Point to point
Communication type	Full duplex

Synchronization	Start and stop can be synchronized
Baud rate	The baud rate can be set(Default:9600)
Start bit	1 bit
Data length	8 bits
Parity bit	NONE
Stop bit	1 bit

Ethernet Communication

Item	Specification
Port number	1
Interface	RJ-45
Electrical and mechanical specifications	IEEE802.3
Transmission system	Ethernet (100BASE-TX)
Transmission speed	Maximum speed: 100Mbps
Communication protocol	TCP/IP
Support equipment	FTP service、DHCP、DNS、Remote control (VXI-11)

Please contact ITECH for the corresponding information about the supportable USB device.

*The above specifications may be subject to change without prior notice.

Contact Us

Thanks for purchasing ITECH products. In case of any doubts, please contact us as follows:

1. Visit ITECH website: www.itechate.com
2. Select the most convenient contact method, for further information.